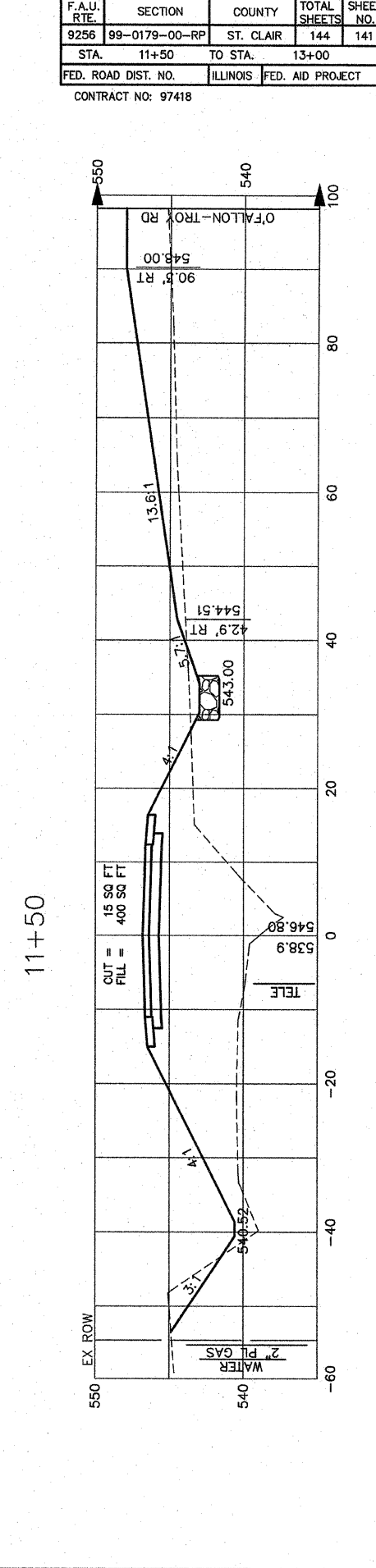
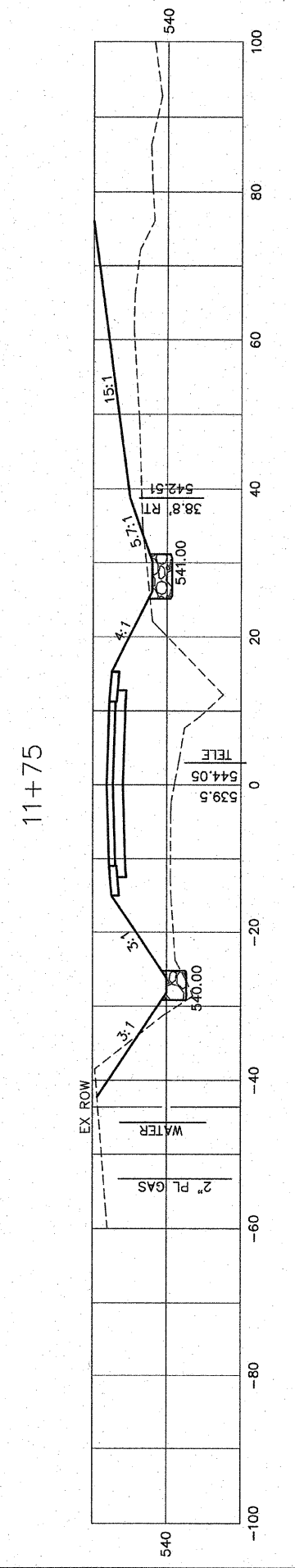
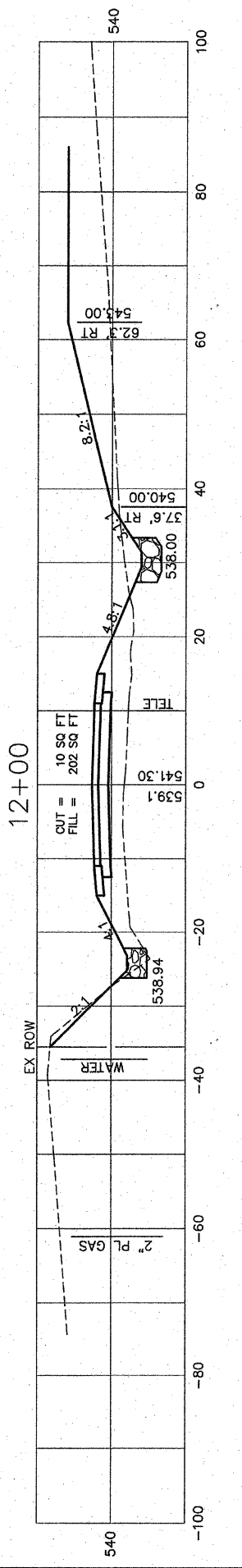
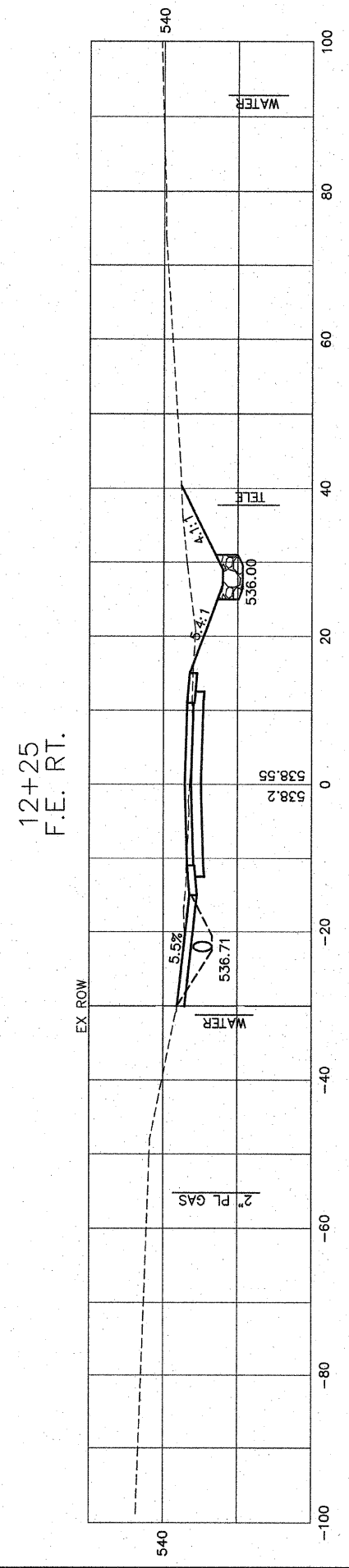
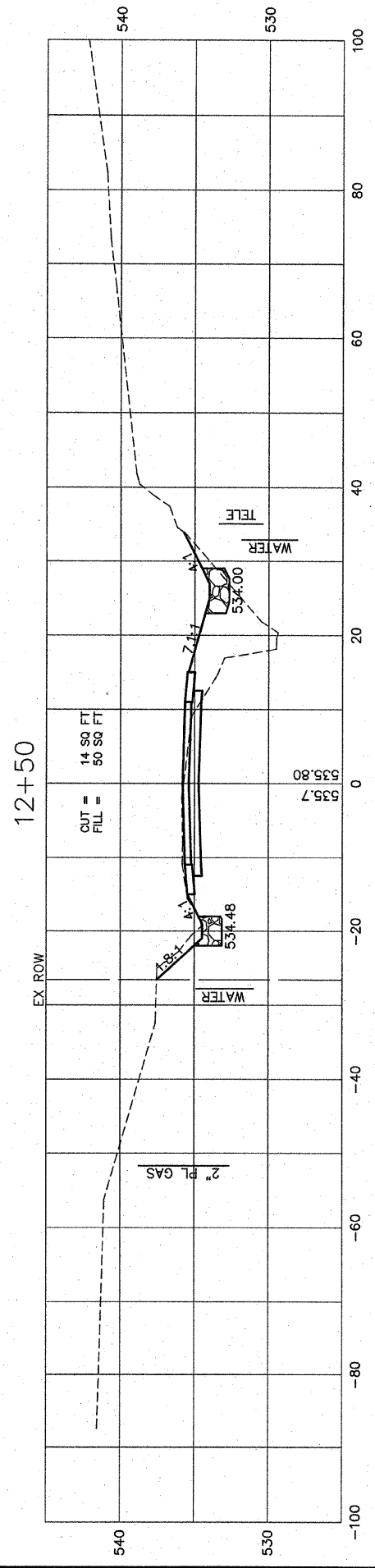
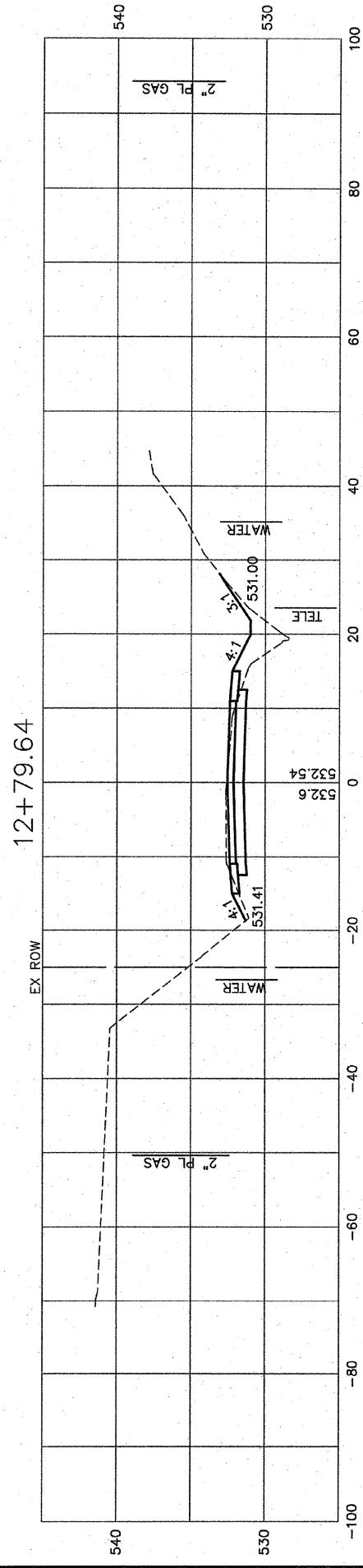
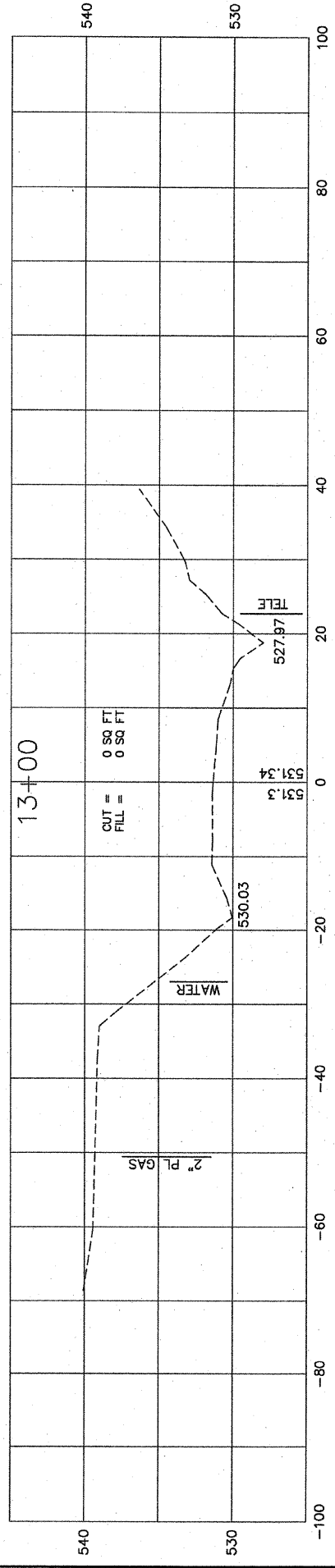


FINAL SURVEYED
SURVEY PLOTTED
NOTE BOOK TEMPLATE
AREAS CHECKED
NO.

ORIGINAL SURVEYED
SURVEY PLOTTED
NOTE BOOK TEMPLATE
AREAS CHECKED
NO.

BY _____ DATE _____

BY _____ DATE _____



F.A.U. RTE.	SECTION	COUNTY	TOTAL SHEETS	SHEET NO.
9256	99-0179-00-RP	ST. CLAIR	144	141
STA.	11+50	TO STA.	13+00	
FED. ROAD DIST. NO.	ILLINOIS	FED. AID PROJECT		

CONTRACT NO: 97418