

B.M. - B.M. #1 R.R. spike in Power Pole, 25.19' LT., STA. 49+24.71, EL. 495.06  
 B.M. #2 R.R. spike in Power Pole, 24.08' LT., STA. 52+20.58, EL. 492.83

STATE OF ILLINOIS  
 DEPARTMENT OF TRANSPORTATION

ROUTE NO.	SECTION	COUNTY	TOTAL SHEETS	SHEET NO.
TR 254	06-14118-00-BR	MARION	16	4
FEDERAL AID PROJECT		ILLINOIS	PROJECT	

CONTRACT NO. 97434

Existing Structure - The existing structure is five span structure with concrete deck beams and concrete caps on timber piles.

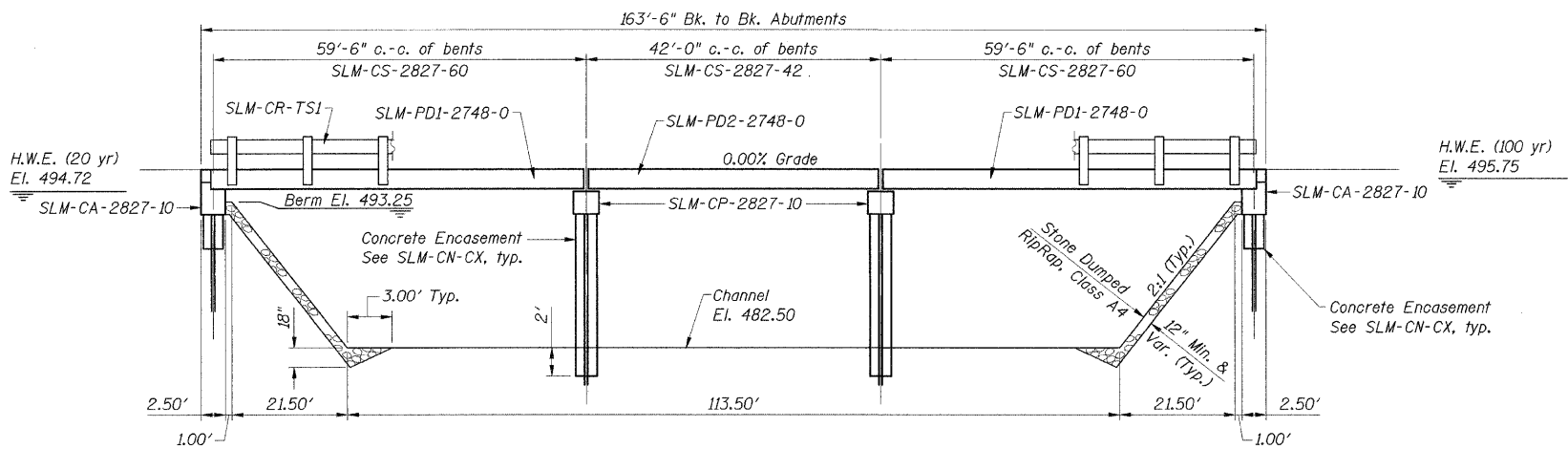
Salvage - None

GENERAL NOTES

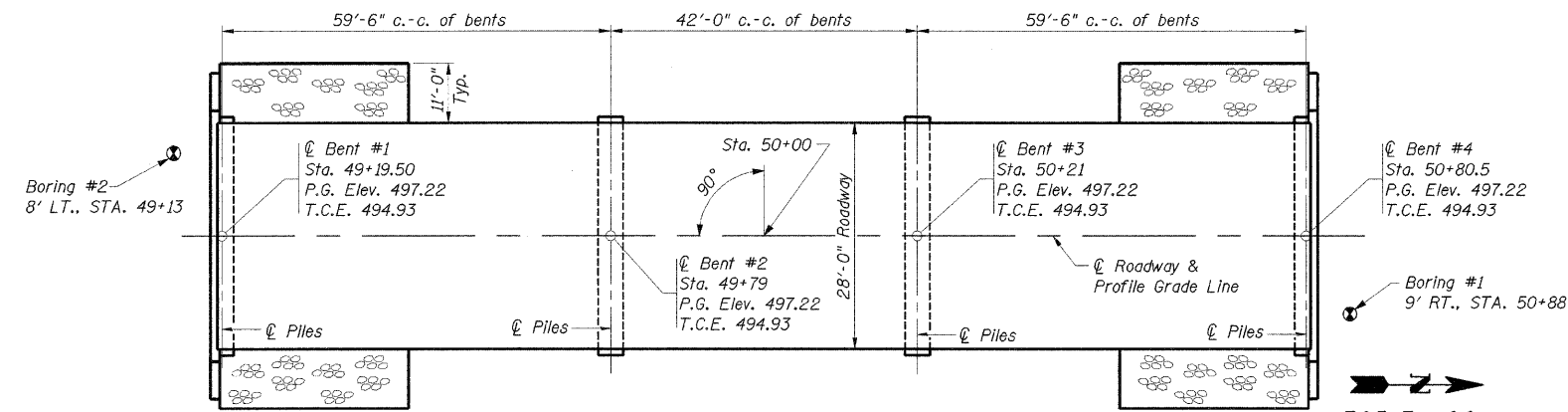
- The contractor shall drive 1 test pile, as specified, in a permanent location as directed by the Engineer before ordering the remaining piles.
- See Special Provisions for boring logs.
- A Calcium Nitrite Corrosion inhibitor, as covered in the Special Provisions, shall be used in the concrete for precast prestressed concrete deck beams.

TOTAL BILL OF MATERIAL

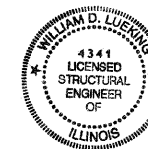
Item	Unit	Super	Sub.		Total
			Piers	Abuts.	
Removal of Existing Structures	Each				1
Concrete Structures	Cu. Yd.		20.0	20.8	40.8
Precast Prestressed Concrete Deck Beams (27" Depth)	Sq. Ft.	4536			4536
Steel Railing, Type S-1	Foot	324			324
Reinforcement Bars	Pound		2020	2660	4680
Furnishing Steel Pile HP 10x42	Foot		511	327	838
Driving Piles	Foot		511	327	838
Test Pile Steel HP 10x42	Each			1	1
Name Plates	Each			1	1
Concrete Encasement	Cu. Yd.		14.1	2.6	16.7



ELEVATION



PLAN



Date: 1/21/2010

Date of License 11/30/2010  
 Expiration:

Signature: William D. Lueking

DESIGN SPECIFICATIONS

2007 AASHTO LRFD Bridge Design Specifications with 2008 Interims

SEISMIC DATA

Seismic Performance Zone (SPZ) = 2  
 Design Spectral Acceleration at 1.0 sec. (S<sub>DI</sub>) = 26  
 Design Spectral Acceleration at 0.2 sec. (S<sub>DS</sub>) = 58  
 Soil Site Class = D

LOADING HL-93

Allow 50# / Sq. Ft. for Future Wearing Surface.

PILE DATA (2-PIERS)

Pile Type and Size: Steel Piles, HP10x42  
 Nominal Required Bearing: 255 kips  
 Allowable Resistance Available: 85 kips  
 Estimated Pile Length: 35 Feet Bent #2, 38 Feet Bent #3  
 Number of Production Piles: 14  
 Number of Test Piles: 0

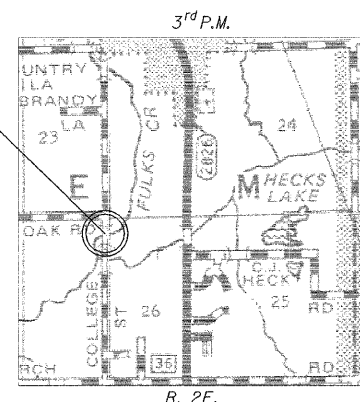
PILE DATA (2-ABUTS.)

Pile Type and Size: Steel Piles, HP10x42  
 Nominal Required Bearing: 255 kips  
 Allowable Resistance Available: 85 kips  
 Estimated Pile Length: 35 Feet Bent #1, 38 Feet Bent #4  
 Number of Production Piles: 9  
 Number of Test Piles: 1 (located in Bent #4)

STATION 50+00  
 CROOKED CREEK  
 SEC. 06-14118-00-BR BUILT 20...  
 PROJECT NO. \_  
 MARION COUNTY  
 LOADING HL93  
 STR. NO. 061-3310

LETTERING FOR NAME PLATE

Locate Name Plate at Northeast Corner of Bridge (See SLM-CN-CX)



LOCATION SKETCH

WATERWAY INFORMATION

Drainage Area = 60.6 Sq. Mi.		Low Grade Elev. 491.55 @ Sta. 41+20							
Flood Yr.	Freq. C.F.S.	Opening Sq. Ft.		Nat. H.W.E. Ft.		Headwater Elev. - Ft.			
		Exist.	Prop.	Exist.	Prop.	Exist.	Prop.		
Design	20	6690	1275	1550	494.72	0.05	0.04	494.77	494.76
Base	100	10020	1320	1560	495.75	0.03	0.03	495.78	495.78
Overtopping									
Max. Calc.	500	13360			496.43	0.03	0.03	496.46	496.46

INDEX OF SHEETS

- General Plan & Elevation
- SLM-CS-2827-60
- SLM-CS-2827-42
- SLM-PDI-2748-0
- SLM-PDI-2748-0D
- SLM-PDI-2748-0
- SLM-PDI-2748-0D
- SLM-CA-2827-10
- SLM-CP-2827-10
- SLM-CR-TS1
- SLM-CN-CX



Date: 01/20/10  
 Design:  
 Drawn:  
 Job No.: 200705594

GENERAL PLAN & ELEVATION

TR 254  
 OVER CROOKED CREEK

SECTION 06-14118-00-BR  
 MARION COUNTY  
 STATION 50+00