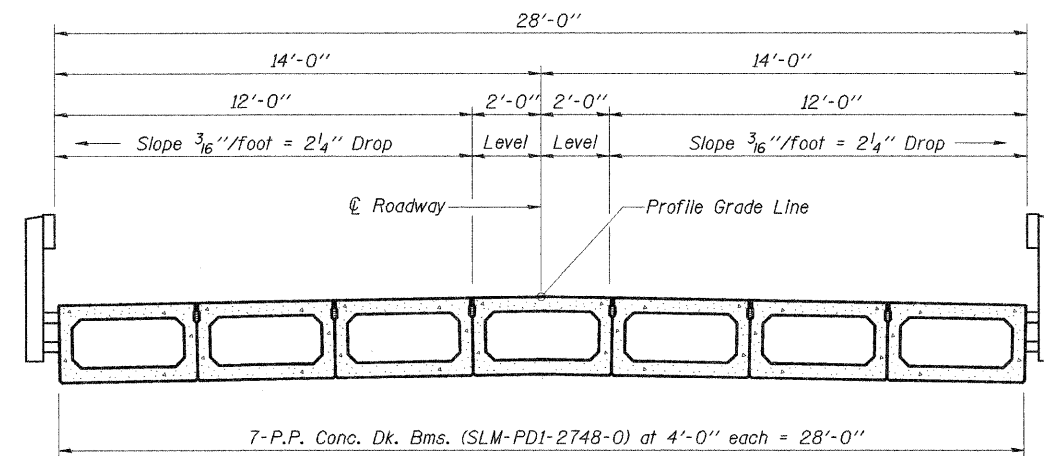
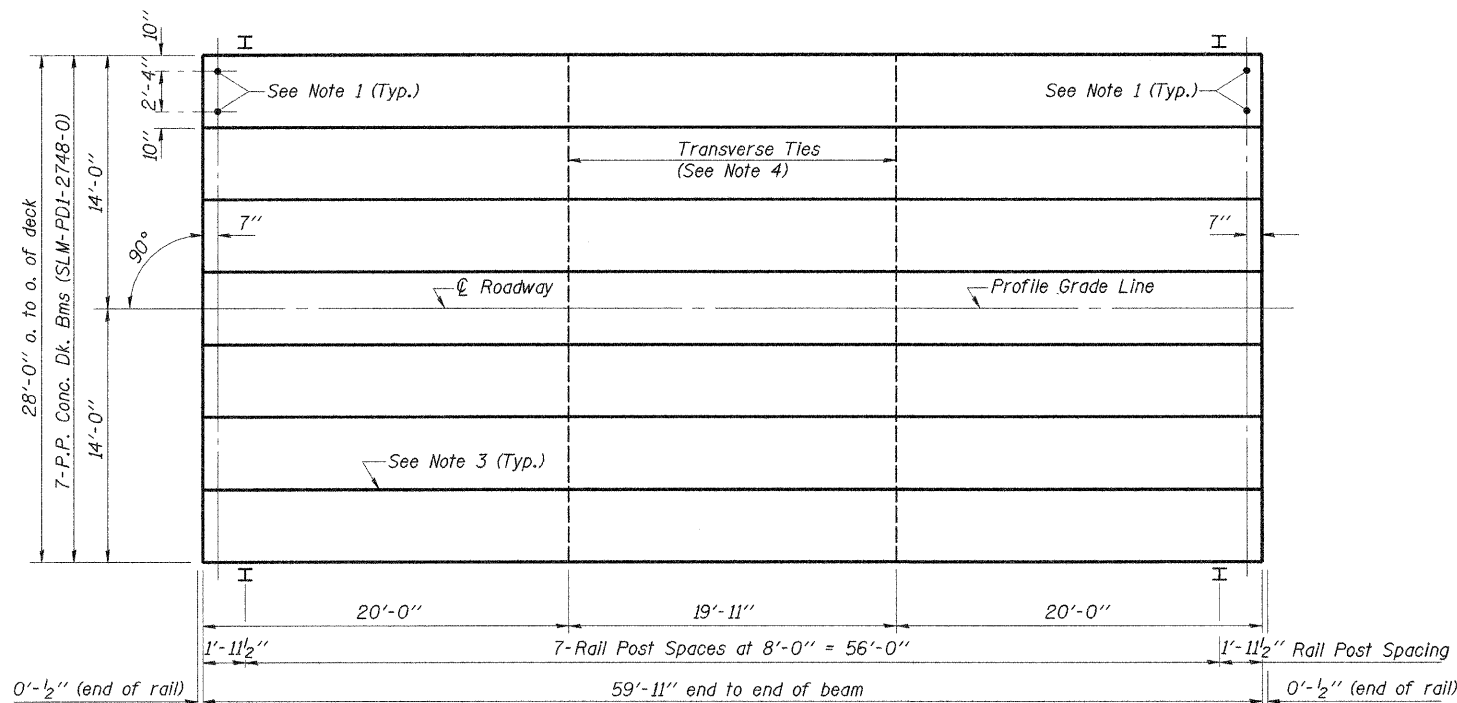


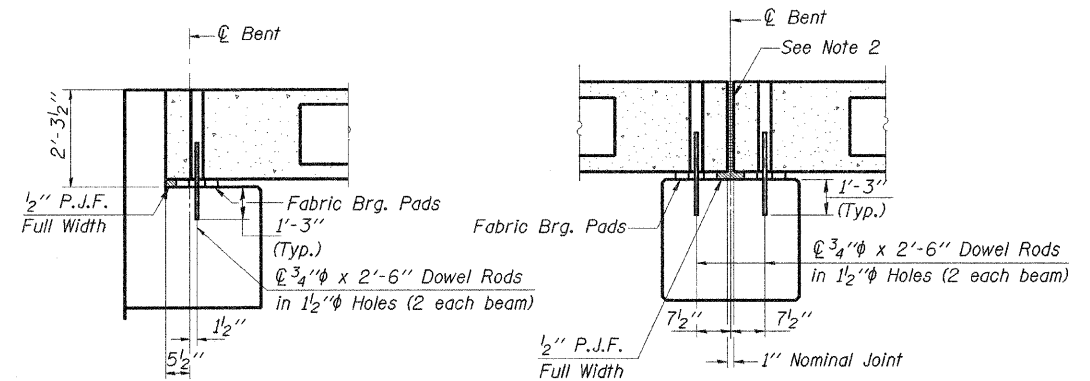
TYPICAL ELEVATION



CROSS SECTION



PLAN



SECTION AT ABUTS.
(Along \varnothing Beams)

SECTION AT PIERS
(Along \varnothing Beams)

QUANTITIES FOR ONE SPAN

P.P. Conc. Dk. Bm. 27" Dp.	1680 Sq. Ft.
Steel Railing	120 Ft.

NOTES

1. After beams have been erected, holes shall be drilled into substructure and anchor dowels placed. Dowel holes shall be filled with non-shrink grout to top of beam and allowed to cure min. 24 hrs. prior to grouting the shear keys.
2. Nominal 1" joint at \varnothing Pier shall be filled with non-shrink grout.
3. Longitudinal keys shall be grouted.
4. The 1" \varnothing rods in the transverse tie assembly shall be tightened to a snug fit and the threads set. Pockets that receive transverse tie bar outside shall be filled with grout after transverse tie assembly is in place.

AECOM 2524 S. Broadway Salem, Illinois 62681 618.548.3500 IL Design Firm Reg. No. 184-003708 www.aecom.com	SLM-CS-2827-60 P.P.C. DECK BEAM SUPERSTRUCTURE
	28' ROADWAY 27" BEAMS 60' SPAN - 0° SKEW
Date: 01/20/10 Design: Drawn: Job No.: 200705594	