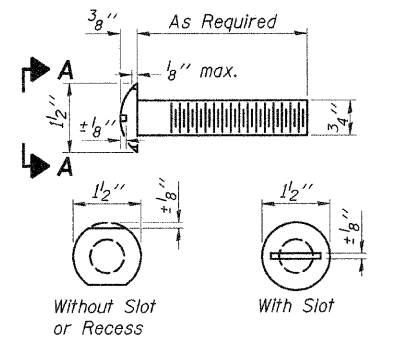
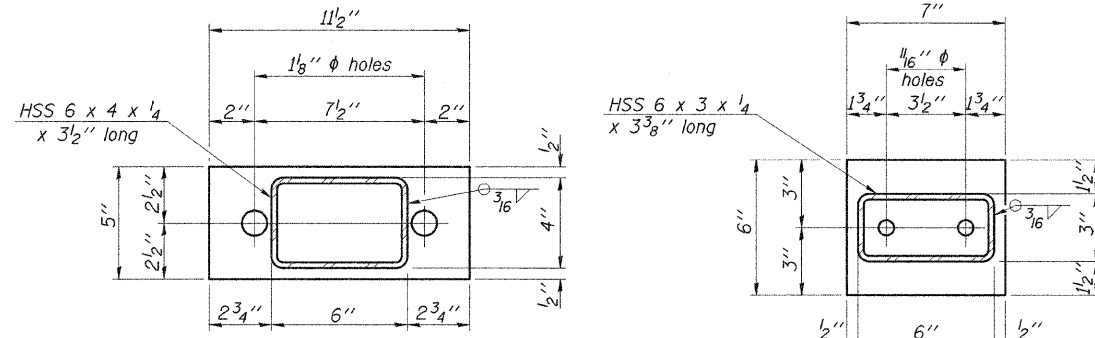


ROUTE NO.	SECTION	COUNTY	TOTAL SHEETS	SHEET NO.
TR 254	06-1418-00-BR	MARION	16	13
FEDERAL AID PROJECT		ILLINOIS	PROJECT	

CONTRACT NO. 97434

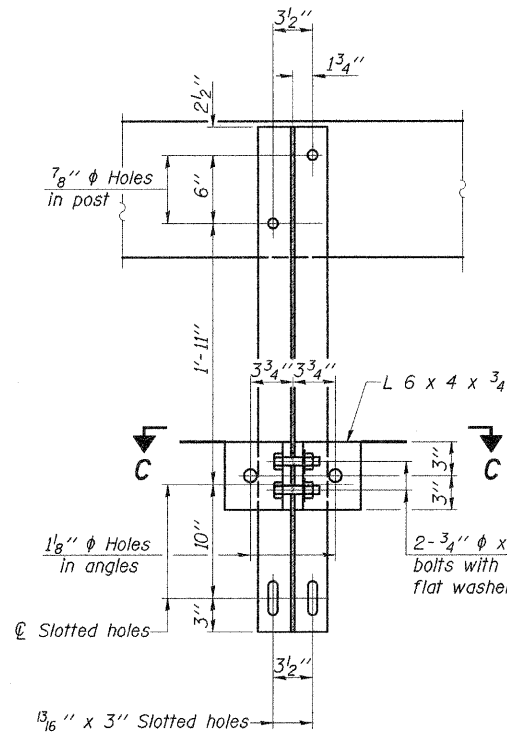


VIEW A-A ROUND HEAD BOLT



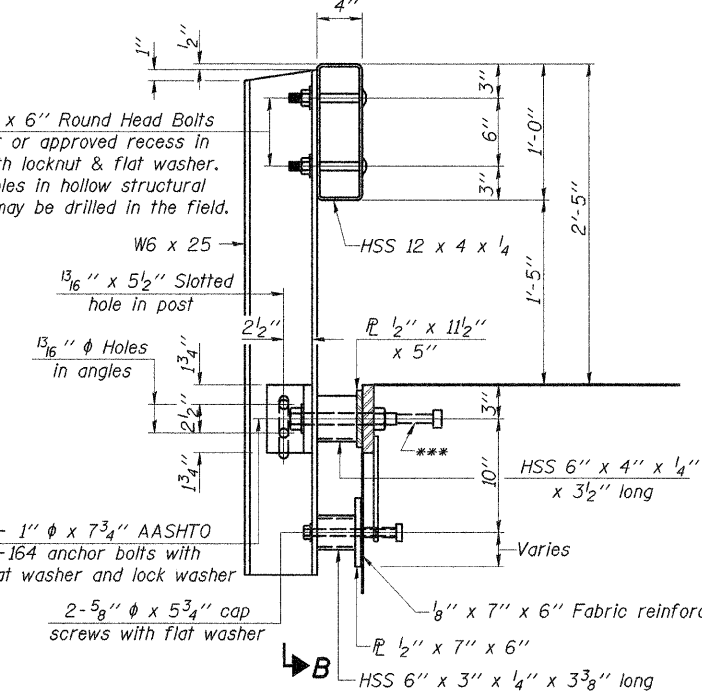
PL 1/2" x 11 1/2" x 5"

PL 1/2" x 7" x 6"

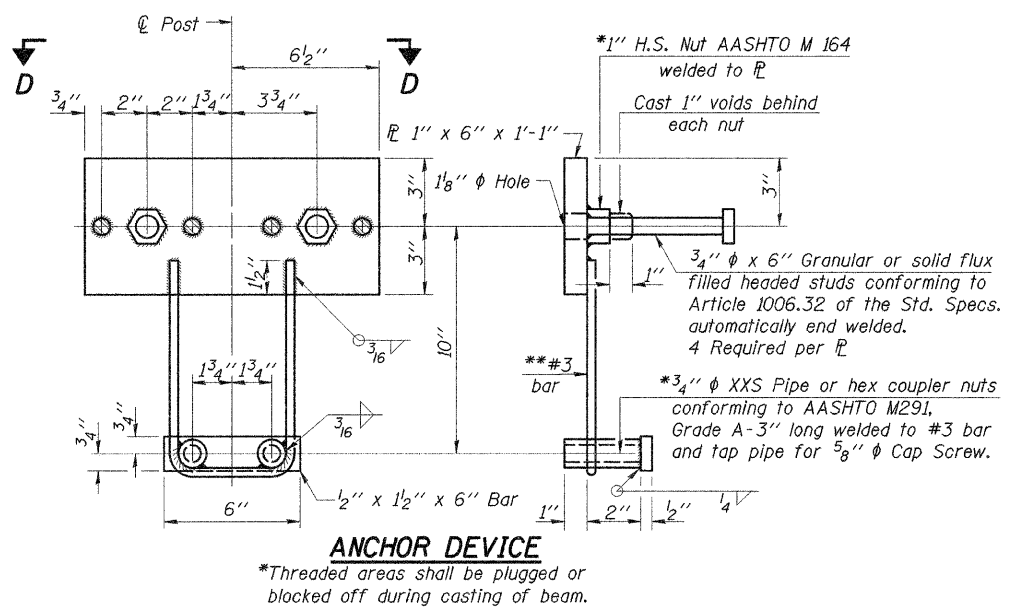


SECTION B-B

2-3/4" ϕ x 6" Round Head Bolts (With slot or approved recess in head) with locknut & flat washer. 7/8" ϕ holes in hollow structural section may be drilled in the field.

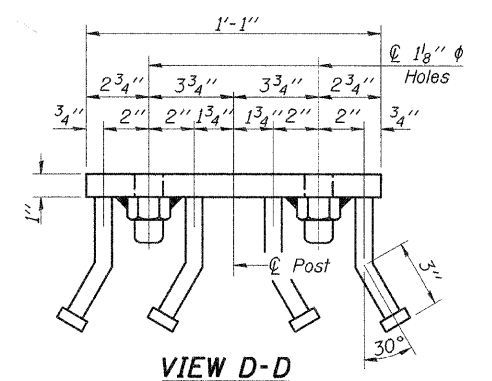


SECTION AT RAILING POST

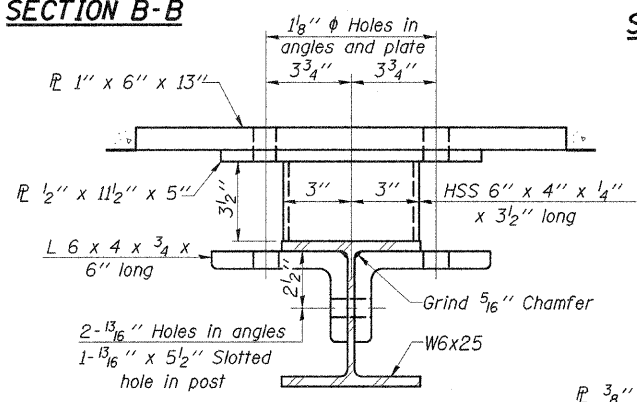


ANCHOR DEVICE

*Threaded areas shall be plugged or blocked off during casting of beam.

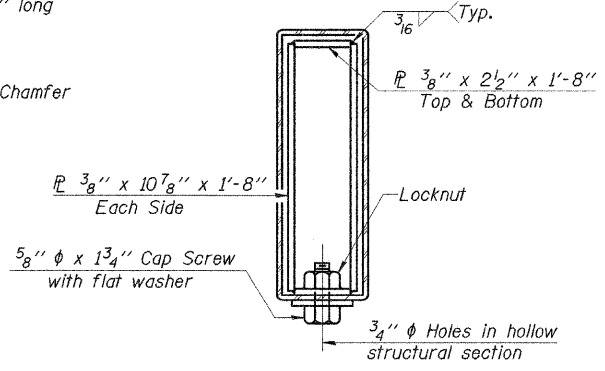


VIEW D-D

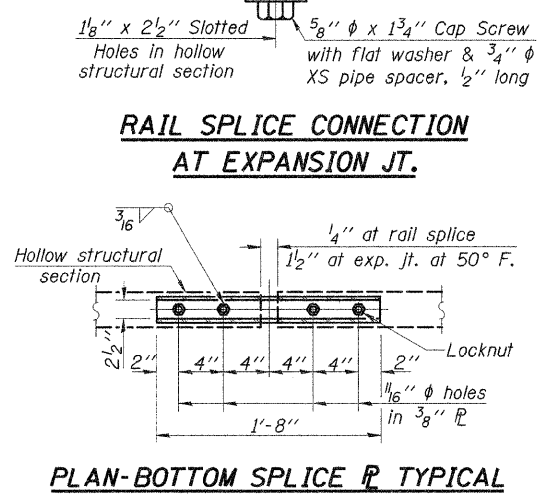


SECTION C-C

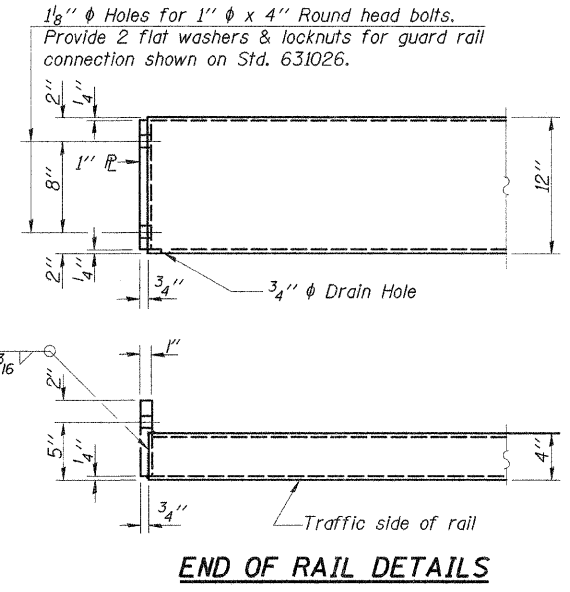
**Whenever the lower insert assemblies interfere with strand locations, the #3 bars shall be cut and adjusted in order to allow raising or lowering of the lower inserts. Maximum adjustment not to exceed 1/2".



SECTIONS AT RAIL SPLICE



PLAN-BOTTOM SPLICE PL TYPICAL



END OF RAIL DETAILS

See SLM-CS-2827-60 and SLM-CS-2827-42 for Steel Railing Quantities.

(10'-9" Maximum Post Spacing)

AECOM 2524 S. Broadway Salem, Illinois 62861 618.548.3500 IL Design Firm Reg. No. 194-003706 www.aecom.com	SLM-CR-TS1 STEEL RAILING TYPE S-1
	Date: 01/20/10 Design: Drawn: Job No.: 200705594