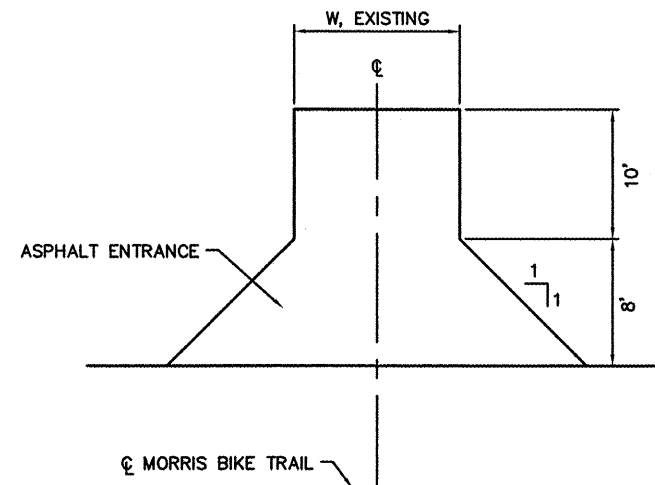
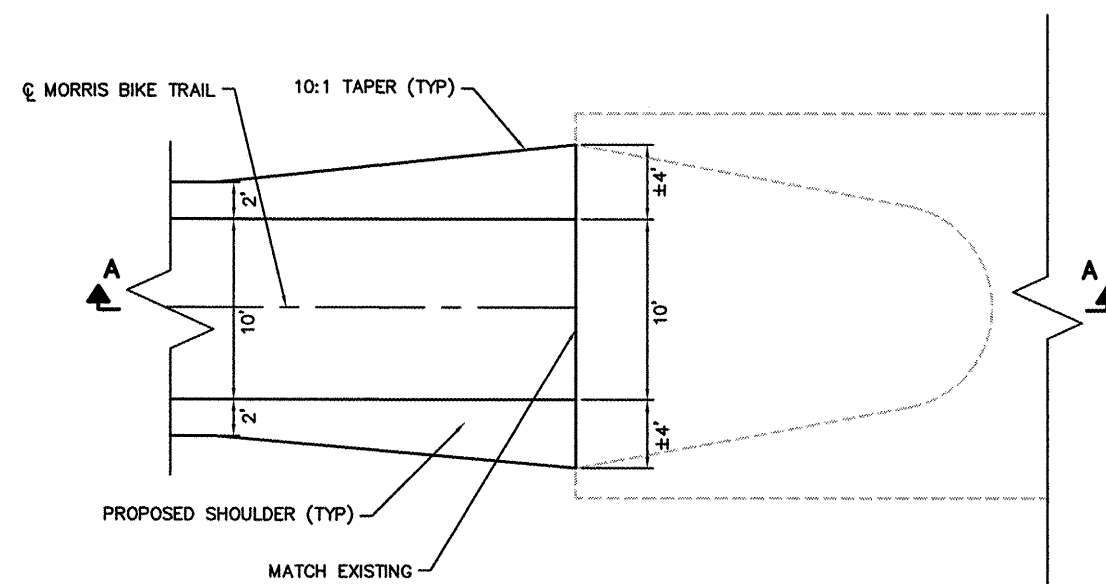


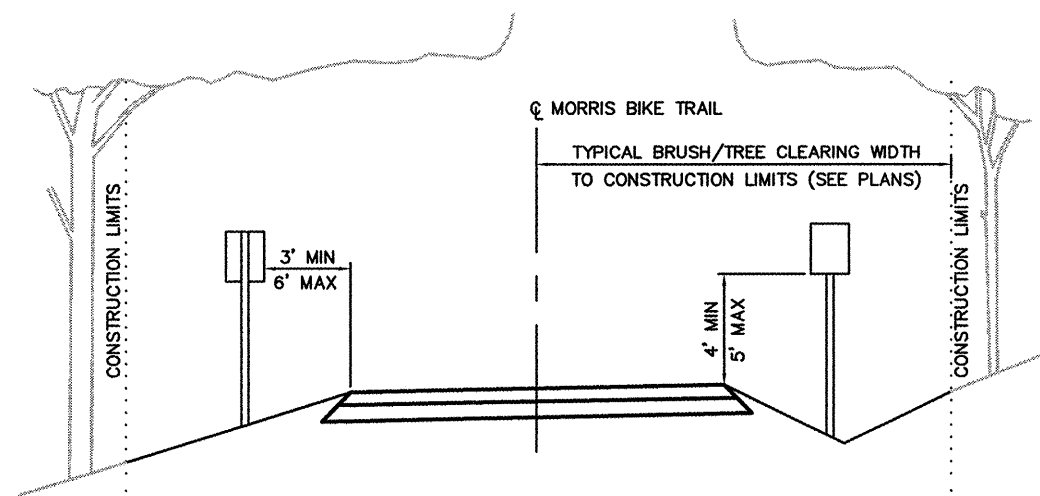
EARTH TRAIL DETAIL
NOT TO SCALE



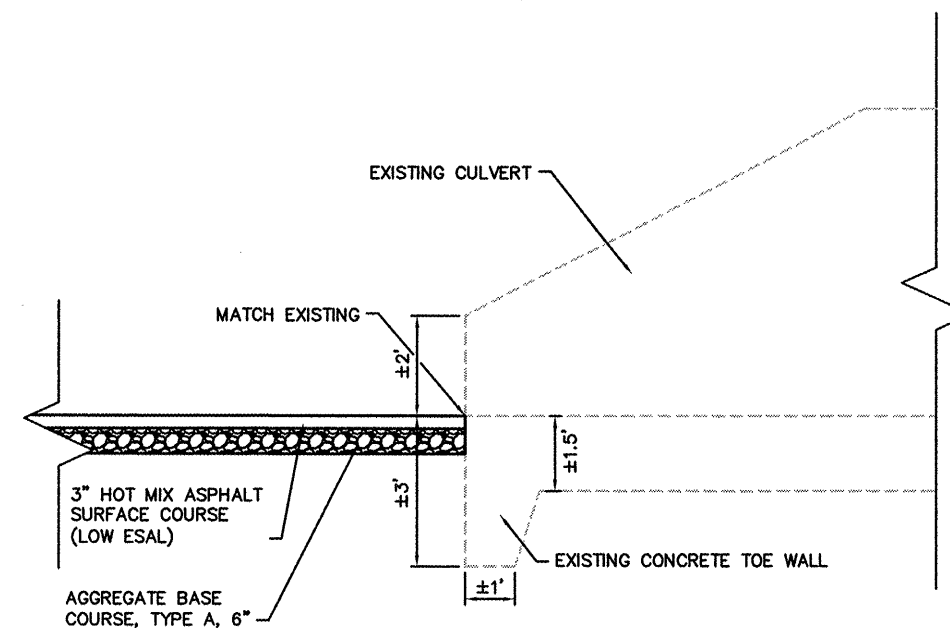
ENTRANCE DETAIL
NOT TO SCALE



PLAN VIEW



BRUSH/TREE CLEARING DETAIL
NOT TO SCALE



SECTION A-A

PAVEMENT TRANSITION DETAIL
NOT TO SCALE

FILE NAME = 841DT01.DWG	USER NAME = ASHLEIGH ENGELMANN	DESIGNED - AME	REVISED -
		DRAWN - AME	REVISED -
		CHECKED - TLC	REVISED -
		DATE - 2009-02-26	REVISED -
PLOT SCALE = 6" = 1'			
PLOT DATE = 2010-02-26			

STATE OF ILLINOIS
DEPARTMENT OF TRANSPORTATION

CONSTRUCTION DETAILS

SCALE: SHEET NO. OF SHEETS STA. TO STA.

F.A. RTE.	SECTION	COUNTY	TOTAL SHEETS	SHEET NO.
	08-0006-00-BT	MADISON	26	17
MORRIS BIKE TRAIL			CONTRACT NO. 97436	
FED. ROAD DIST. NO.	ILLINOIS	FED. AID PROJECT		