

DATE	
BY	
SURVEYED	
ALIGNED	
RT. OF WAY CHECKED	
ADD. FILE NAME	
PLAN	
NOTE BOOK	
NO.	

DATE	
BY	
SURVEYED	
GRADES CHECKED	
STRUCTURE NOTATIONS OK'D	
PROFILE	
NOTE BOOK	
NO.	

**NW RADIUS RETURN**

PT. NO.	STATION	OFFSET	ELEVATION
1	17+67.70	18.00' LT	537.25 (EOP)
			537.70 (BC)
2	17+77.70	18.00' LT	537.65 (EOP)
			538.05 (BC)
3	17+86.01	20.56' LT	537.69 (EOP)
4	17+90.64	26.57' LT	537.80 (EOP)
			538.13 (BC)
5	17+84.43	26.60' LT	537.92 (SW)
6	17+82.83	34.38' LT	538.15 (SW)
7	17+77.96	33.40' LT	538.23 (SW)
8	17+79.58	25.53' LT	537.84 (SW)
9	17+77.66	25.15' LT	537.82 (SW)
10	17+67.66	25.00' LT	537.80 (SW)

**NE RADIUS RETURN**

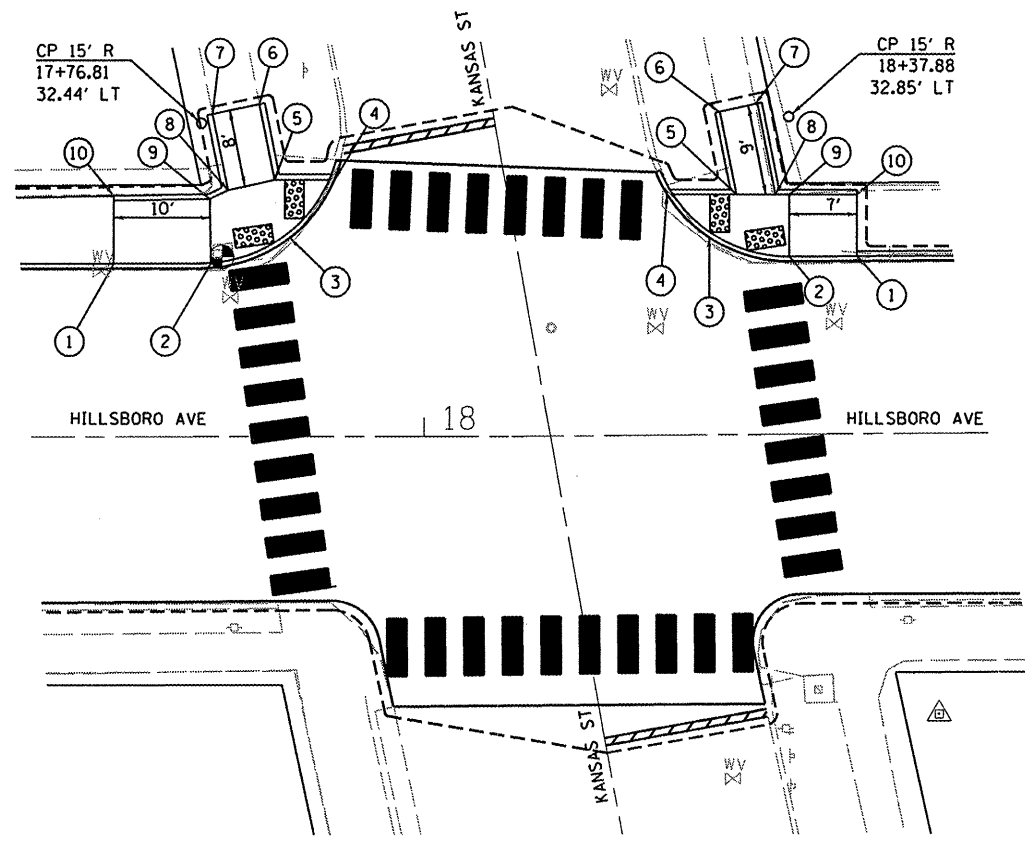
PT. NO.	STATION	OFFSET	ELEVATION
1	18+45.13	18.00' LT	538.30 (EOP)
			538.70 (BC)
2	18+37.98	18.00' LT	538.34 (EOP)
			538.34 (BC)
3	18+29.58	20.44' LT	538.24 (EOP)
4	18+25.21	24.95' LT	538.30 (EOP)
			538.80 (BC)
5	18+31.31	24.88' LT	538.40 (SW)
6	18+30.97	33.41' LT	538.12 (SW)
7	18+34.72	34.18' LT	538.20 (SW)
8	18+36.50	24.84' LT	538.45 (SW)
9	18+37.98	24.82' LT	538.47 (SW)
10	18+45.13	25.00' LT	538.80 (SW)

**NW RADIUS RETURN**

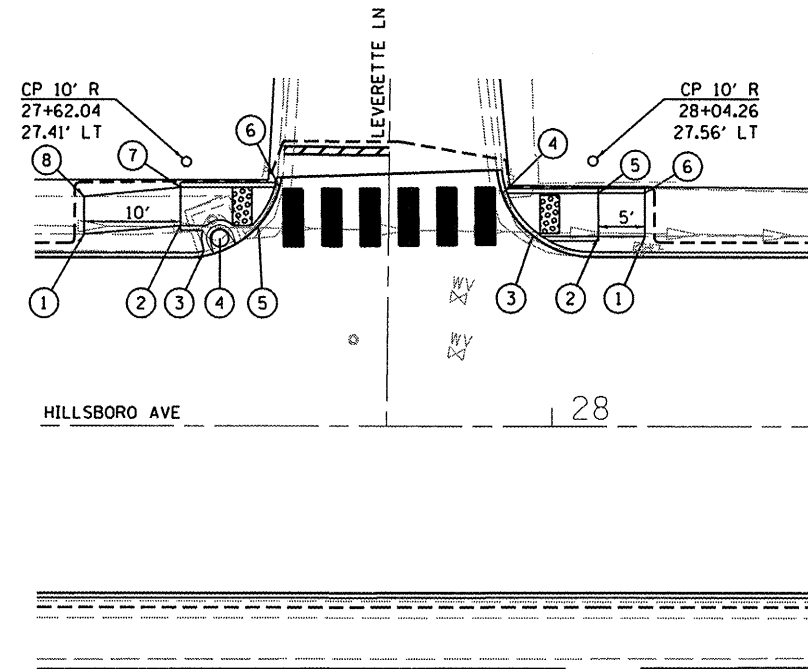
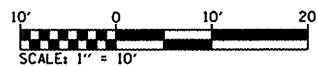
PT. NO.	STATION	OFFSET	ELEVATION
1	27+51.38	19.85' LT	529.76 (SW)
2	27+61.39	20.75' LT	529.60 (SW)
3	27+63.83	18.08' LT	529.50 (BC)
4	27+65.52	19.43' LT	529.50 (TOP)
5	27+69.50	20.75' LT	529.00 (EOP)
			529.50 (BC)
6	27+71.68	24.75' LT	529.08 (EOP)
			529.58 (BC)
7	27+61.42	24.75' LT	529.68 (SW)
8	27+51.41	23.79' LT	529.84 (SW)

**NE RADIUS RETURN**

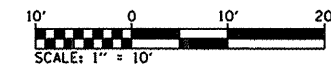
PT. NO.	STATION	OFFSET	ELEVATION
1	28+09.64	19.67' LT	528.70 (SW)
2	28+04.83	19.68' LT	528.90 (SW)
3	27+98.02	19.75' LT	528.70 (EOP)
			529.20 (BC)
4	27+94.84	24.18' LT	528.78 (EOP)
			529.28 (BC)
5	28+04.79	24.22' LT	528.95 (SW)
6	28+09.63	24.24' LT	528.78 (SW)



HILLSBORO AVE AND KANSAS ST



HILLSBORO AVE AND LEVERETTE LN



FILE NAME = H:\P\26074\microstation\674 int details01.dgn

USER NAME = travis  
 DRAWN -  
 CHECKED -  
 DATE -  
 PLOT SCALE = 20.0000 / IN.  
 PLOT DATE = 2/18/2010

DESIGNED -  
 REVISIONS:  
 REVISIONS:  
 REVISIONS:

STATE OF ILLINOIS  
 DEPARTMENT OF TRANSPORTATION

INTERSECTION DETAILS

SCALE: 1"=20' SHEET NO. 1 OF 6 SHEETS STA. TO STA.

F.A.U. RTE. 8876	SECTION 08-00098-00-PV	COUNTY MADISON	TOTAL SHEETS 17	SHEET NO. 10
HILLSBORO AVENUE RESURFACING			CONTRACT NO. 97437	
ILLINOIS FED. AID PROJECT				