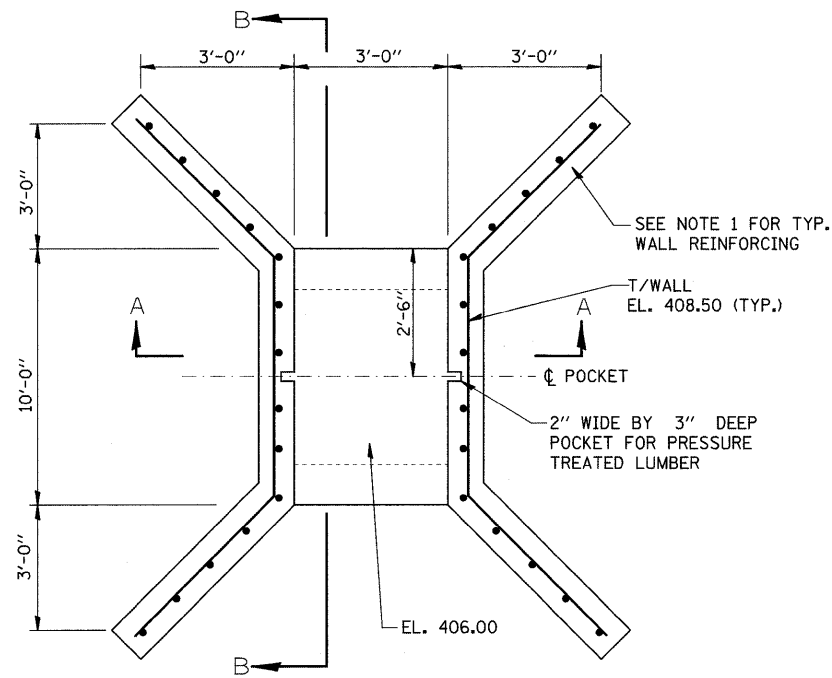


# DRAINAGE CONTROL STRUCTURE #1



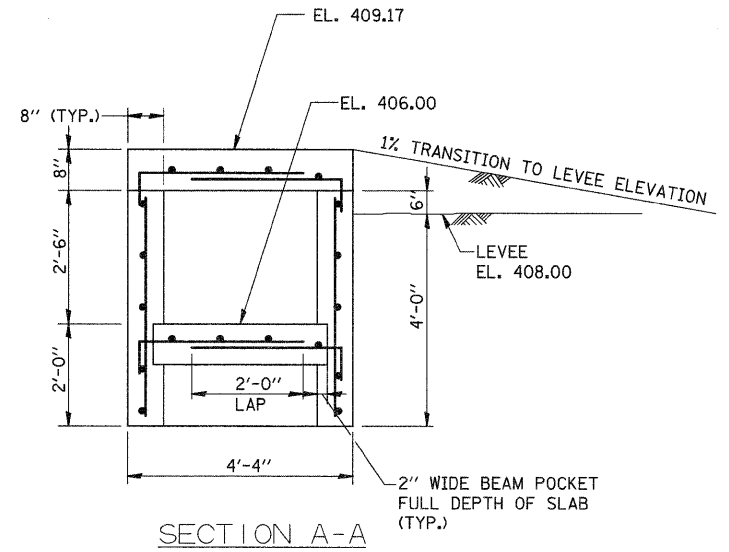
PLAN

**NOTES:**

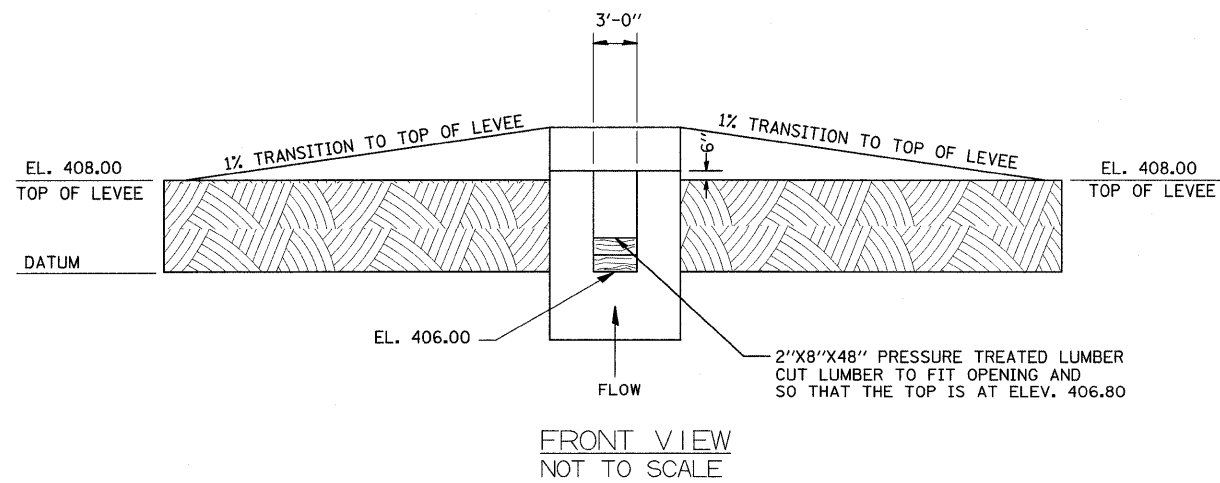
1. TYPICAL WALL REINFORCING VERTICAL BARS #4 @ 12" HORIZONTAL BARS #5 @ 12".
2. PLACE WALL AND SLAB REINFORCING IN CENTER OF WALL.
3. ALL EXPOSED EDGES OF WALLS SHALL BE CHAMFERED 3/4".

### BILL OF MATERIAL

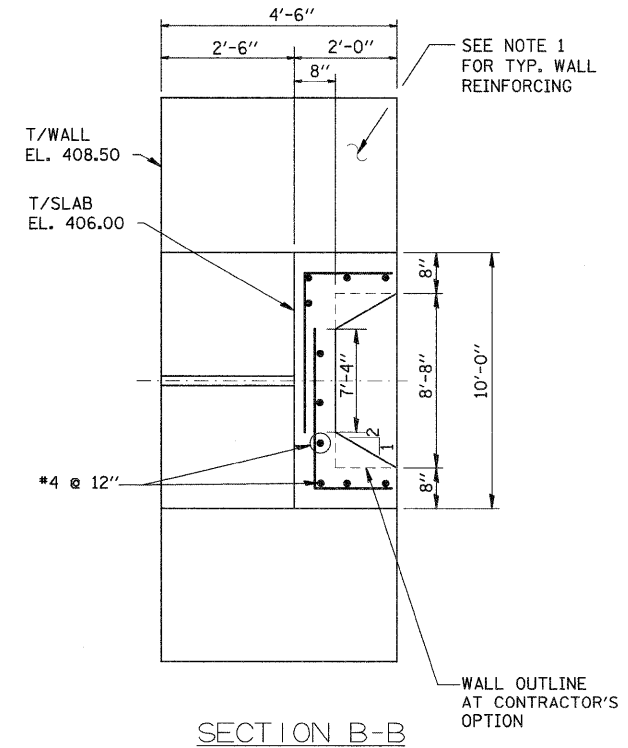
Class SI Concrete (Miscellaneous)	Cu. Yds.	6.5
Reinforcement Bars	Lbs.	382
2"X8"X48" Pressure Treated Lumber	Each	2



SECTION A-A



FRONT VIEW  
NOT TO SCALE



SECTION B-B

FILE NAME =	USER NAME = rolavr	DESIGNED -	REVISED -
ci\pwork\pwsdot\rolavr\dms46104\sp11\pwsdet.dgn		DRAWN -	REVISED -
PLOT SCALE = 50.0000' / 1" IN.		CHECKED -	REVISED -
PLOT DATE = 12/7/2009		DATE -	REVISED -

**STATE OF ILLINOIS  
DEPARTMENT OF TRANSPORTATION**

**DETAIL - DRAINAGE CONTROL  
STRUCTURE #1**

SCALE: NTS      SHEET NO.      OF      SHEETS      STA.      TO STA.

F.A.P. RTE.	SECTION	COUNTY	TOTAL SHEETS	SHEET NO.
853	•	FRANKLIN	34	12
CONTRACT NO. 98907				

ILLINOIS FED. AID PROJECT

• D9 MITIGATE WETLAND SUGAR CAMP