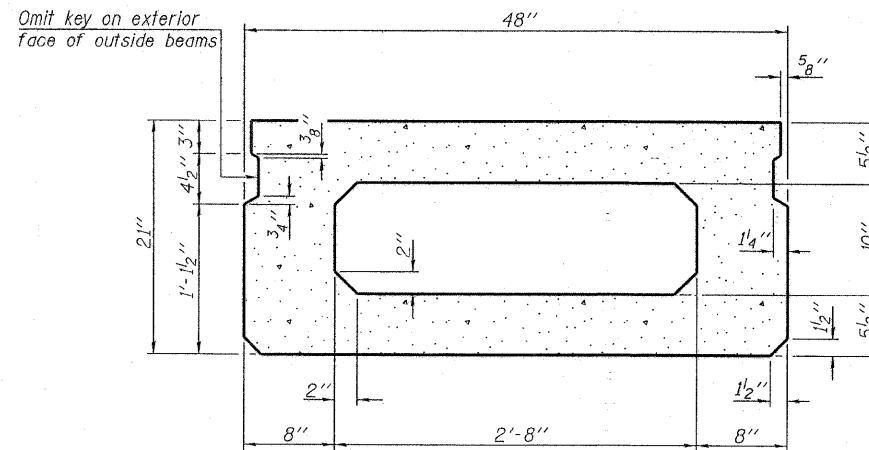
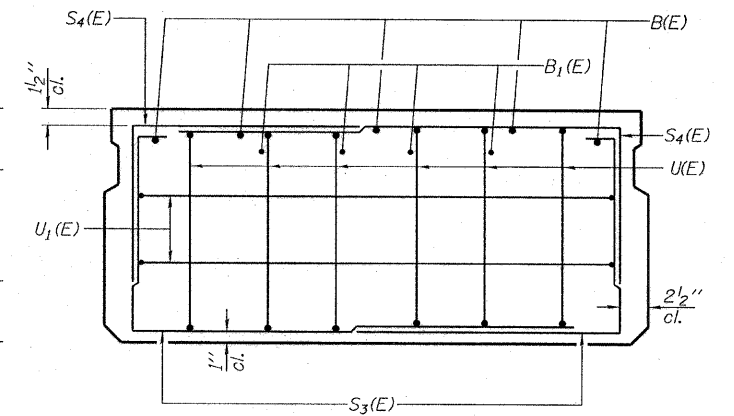


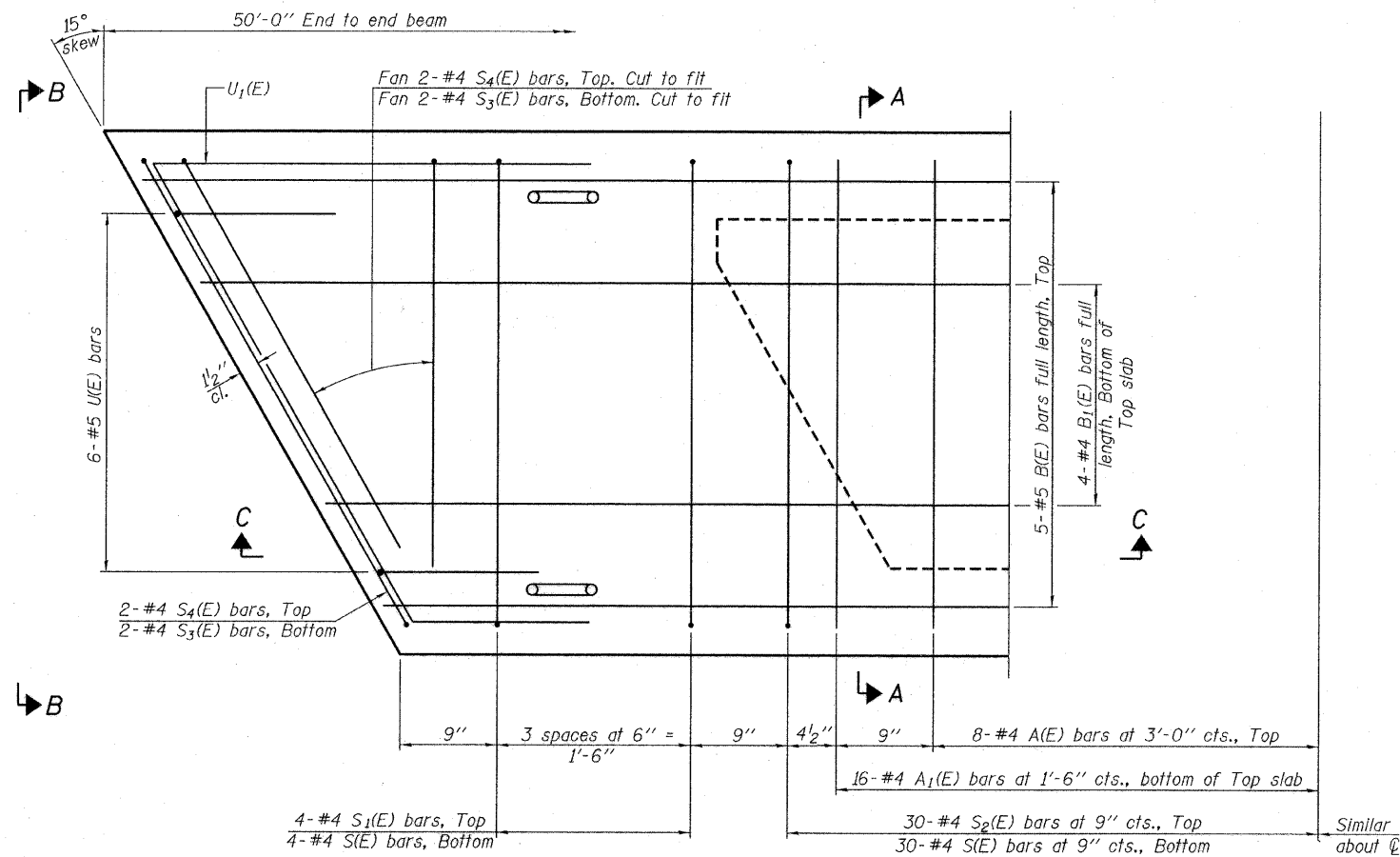
SECTION C-C



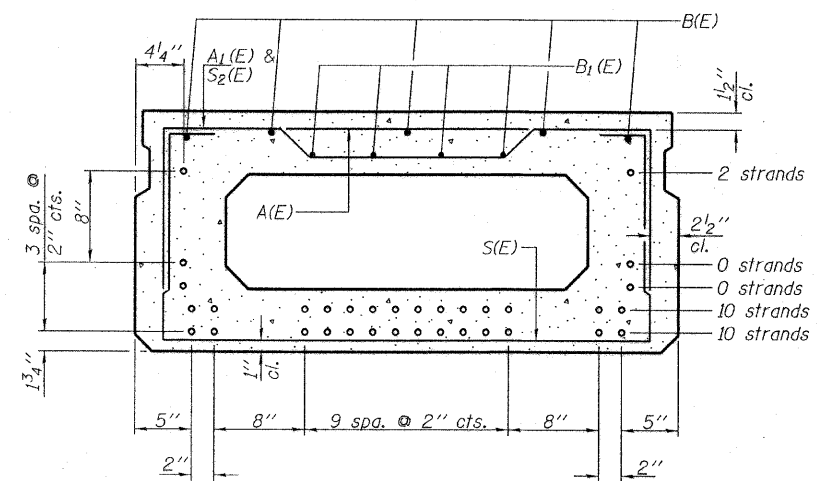
SECTION A-A  
(Showing dimensions)



VIEW B-B



PLAN VIEW



SECTION A-A  
(Showing reinforcement and permissible strand locations)  
Note: Place the number of strands specified in each row symmetrically about the centerline of beam in the permissible strand locations shown.

BAR LIST  
ONE BEAM ONLY  
(For information only)

Bar	No.	Size	Length	Shape
A(E)	16	#4	3'-7"	—
A1(E)	32	#4	3'-10"	—
B(E)	5	#5	49'-8"	—
B1(E)	4	#4	49'-8"	—
S(E)	68	#4	7'-5"	U
S1(E)	8	#4	5'-11"	U
S2(E)	60	#4	6'-2"	U
S3(E)	8	#4	4'-8"	U
S4(E)	8	#4	3'-11"	U
U(E)	12	#5	4'-0"	U
U1(E)	4	#4	7'-1"	U

Note: See sheets 3 & 4 of 8 for additional details and Bill of Material.

Note: Spacing of S(E) and S2(E) bars may be adjusted up to 4" in the immediate area of the transverse tie diaphragms to miss the block outs for the transverse ties.

DESIGNED - A.S.L.
CHECKED - S.W.M.
DRAWN - D.A.B.
CHECKED - D.T.M.

PD-2148-R

10-1-08

**HAMPTON, LENZINI & RENWICK, INC.**  
 CIVIL & STRUCTURAL ENGINEERS  
 LAND SURVEYORS  
 3085 STEVENSON DRIVE, SUITE 201  
 SPRINGFIELD, ILLINOIS 62703  
 (217) 548-3400  
 PROJECT NUMBER: 08.0260.130 DATE: 10/15/08

SHEET NO. 2  
8 SHEETS

T.R.	SECTION	COUNTY	TOTAL SHEETS	SHEET NO.
128	06-08134-00-BR	WHITE	12	6
INDIAN CREEK ROAD DISTRICT		CONTRACT NO. 99373		
FED. ROAD DIST. NO.	ILLINOIS	FED. AID PROJECT BROS-193(30)		

SUPERSTRUCTURE  
21" X 48" PPC DECK BEAM  
STRUCTURE NO. 097-3256