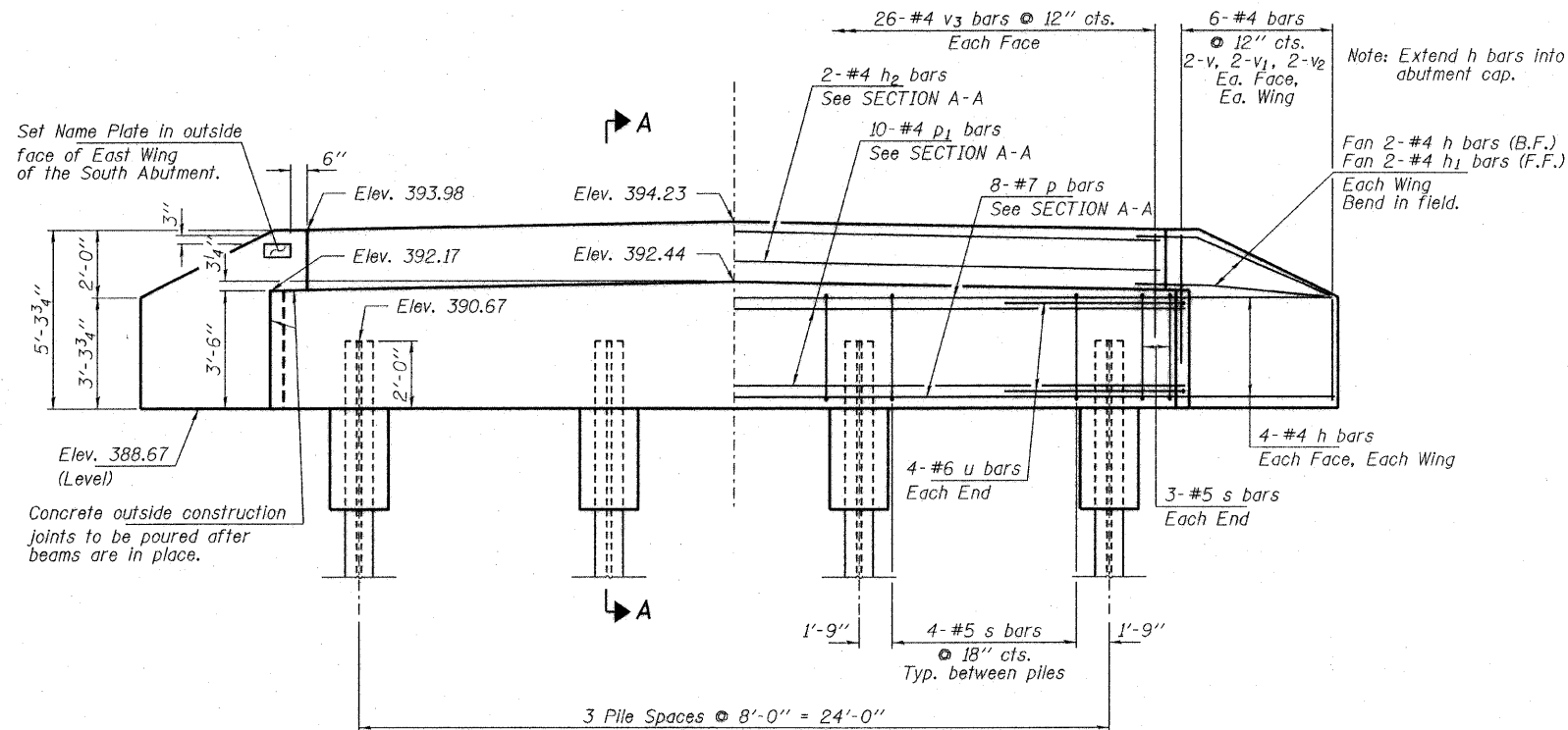
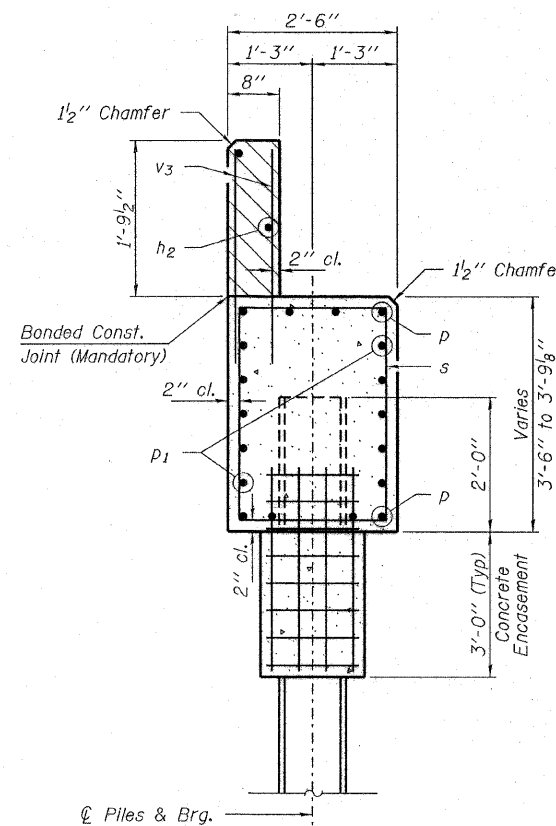


PLAN

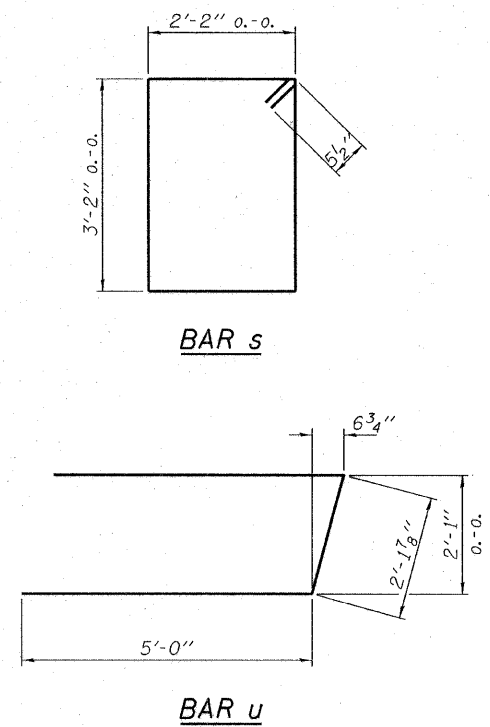


ELEVATION



SECTION A-A

Hatched area to be poured after beams are in place.



BAR s

BAR u

BILL OF MATERIAL - 2 ABUTS.

BAR	NO.	SIZE	LENGTH	SHAPE	
h	40	#4	6'-3"	—	
h1	8	#4	4'-9"	—	
h2	4	#4	26'-1"	—	
p	16	#7	26'-1"	—	
p1	20	#4	26'-1"	—	
s	36	#5	11'-7"	□	
u	16	#6	12'-2"	—	
v	16	#4	4'-11"	—	
v1	16	#4	3'-11"	—	
v2	16	#4	2'-11"	—	
v3	104	#4	2'-8"	—	
Concrete Structures				Cu. Yd.	23.0
Concrete Encasement				Cu. Yd.	2.8
Reinforcement Bars				Pound	2,500
Steel Piles HP10x42				Foot	280
Name Plates				Each	1

PILE DATA

Type: Steel HP10x42
 No. Req'd. (2 Abuts.): 8
 Factored Resistance Available (Rf): 167 Kips/Pile
 Nominal Required Bearing (Rn): 335 Kips/Pile
 Est. Length: 35 Ft/Pile

Note: The Steel H-Piles shall be according to AASHTO M270 Grade 50.

DESIGNED - A.S.L.
CHECKED - S.W.M.
DRAWN - D.A.B.
CHECKED - D.T.M.

**ABUTMENTS
STRUCTURE NO. 097-3256**

HAMPTON, LENZINI & RENWICK, INC. CIVIL & STRUCTURAL ENGINEERS LAND SURVEYORS HLR 3085 STEVENSON DRIVE, SUITE 201 SPRINGFIELD, ILLINOIS 62703 (217) 546-3400	SHEET NO. 6 8 SHEETS	T.R.	SECTION	COUNTY	TOTAL SHEETS	SHEET NO.
		128	06-08134-00-BR	WHITE	12	10
		INDIAN CREEK ROAD DISTRICT			CONTRACT NO. 99373	
PROJECT NUMBER: 08.0260.130		DATE: 10/15/09		FED. ROAD DIST. NO.		ILLINOIS FED. AID PROJECT BROS-193(30)