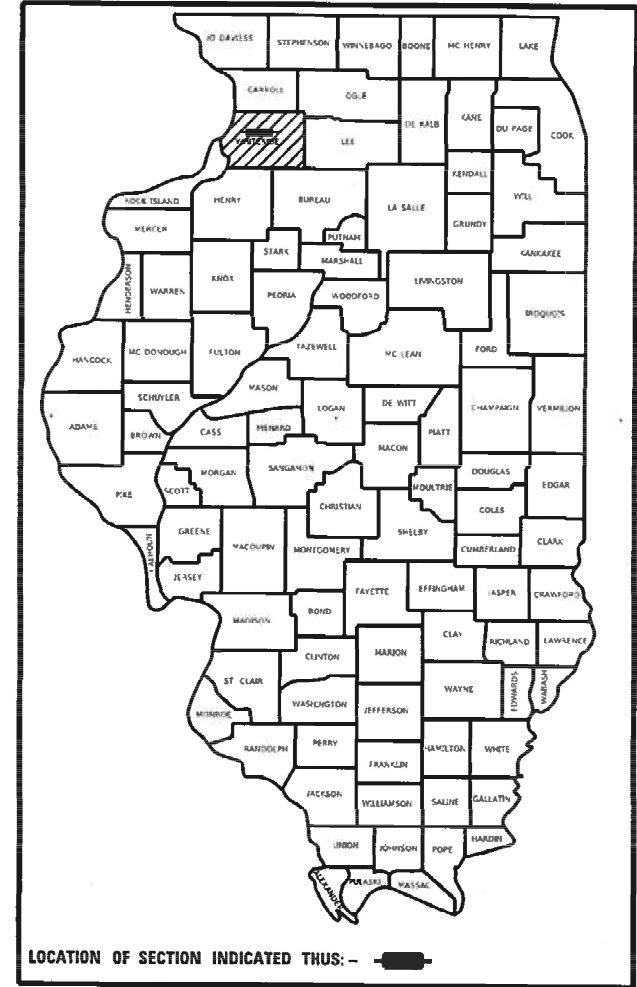


STATE OF ILLINOIS
DEPARTMENT OF TRANSPORTATION

F.A.P. RTE	SECTION	COUNTY	TOTAL SHEETS	SHEET NO.
309	D2 RS 2021-2	WHITESIDE	12	1
		ILLINOIS	CONTRACT NO. 64P74	

D-92-014-21

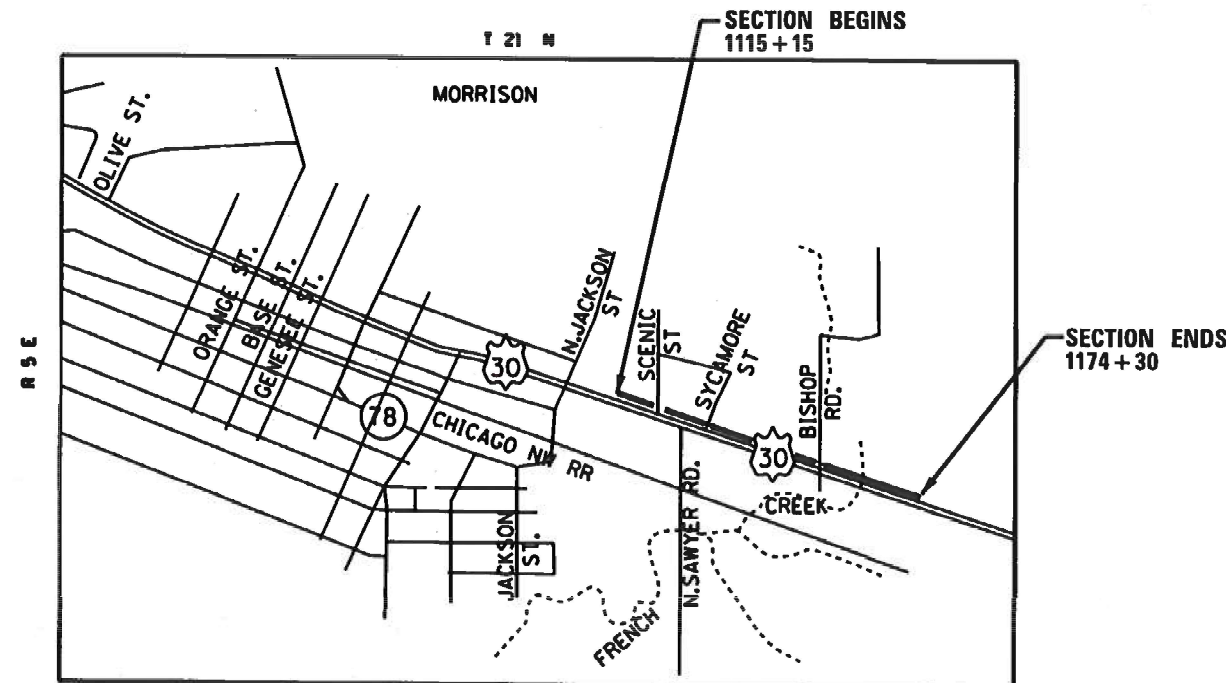


FOR INDEX OF SHEETS, SEE SHEET NO. 2
FOR HIGHWAY STANDARDS & DISTRICT STANDARDS, SEE SHEET NO. 2

**PROPOSED
HIGHWAY PLANS**

FAP ROUTE 309 (US 30)
SECTION D2 RS 2021-2
PROJECT
TYPE of IMPROVEMENT: MILLING & RESURFACE
WHITESIDE COUNTY

C-92-016-21



TOWNSHIP: MOUNT PLEASANT
SECTION: 17 & 18

J.U.L.I.E.
JOINT UTILITY LOCATION INFORMATION FOR EXCAVATORS
1-800-892-0123
OR 811

PROJECT ENGINEER
PROJECT MANAGER

CONTRACT NO. 64P74

GROSS LENGTH = 5,915 FT. = 1.12 MILE
NET LENGTH = 5,915 FT. = 1.12 MILE

STATE OF ILLINOIS
DEPARTMENT OF TRANSPORTATION

SUBMITTED January 22nd 20 21

[Signature]
REGIONAL ENGINEER

March 19, 2021

[Signature]
ENGINEER OF DESIGN AND ENVIRONMENT

March 19, 2021

[Signature]
DIRECTOR OF HIGHWAYS PROJECT IMPLEMENTATION

**PRINTED BY THE AUTHORITY
OF THE STATE OF ILLINOIS**

INDEX

1	Cover Sheet
2	Index of Sheets / District & State Standards
3-4	Summary of Quantities
5	General Notes
6-8	Schedule of Quantities
9-12	Typicals

DISTRICT STANDARDS

48.2	SAFETY EDGE (SMART PROJECTS)
34.1	WORK ZONE SIGN DETAILS
41.1	TYPICAL PAVEMENT MARKINGS

STATE STANDARDS

701001-02	OFF-ROAD OPERATIONS, 2L, 2W, MORE THAN 15'(4.5m) AWAY
701006-05	OFF-ROAD OPERATIONS, 2L, 2W, 15'(4.5m) TO 24"(600mm) FROM PAVEMENT EDGE
701101-05	OFF-ROAD OPERATIONS, MULTILANE, 15' (4.5M) TO 24" (600 MM) FROM PAVEMENT EDGE
701306-04	LANE CLOSURE, 2L, 2W, SLOW MOVING OPERATIONS DAY ONLY, FOR SPEEDS \geq 45MPH
701501-06	URBAN LANE CLOSURE, 2L, 2W, UNDIVIDED
701701-10	URBAN LANE CLOSURE, MULTILANE INTERSECTION
701901-08	TRAFFIC CONTROL DEVICES
720011-01	METAL POST FOR SIGNS, MARKERS AND DELINEATORS
728001-01	TELESCOPING STEEL SIGN SUPPORT
729001-01	APPLICATIONS OF TYPES A AND B METAL POST (FOR SIGNS & MARKERS)
780001-05	TYPICAL PAVEMENT MARKINGS
781001-04	TYPICAL APPLICATIONS RAISED REFLECTIVE PAVEMENT MARKERS

SUMMARY OF QUANTITIES

FAP 309 (US 30)
SECTION D2 RS 2021-2
WHITESIDE COUNTY
CONTRACT # 64P74
SHEET 3 OF 12
URBAN
100% State
0005

CODE NO.	ITEM	UNIT	TOTAL QUANTITY
40600295	POLYMERIZED BITUMINOUS MATERIALS (TACK COAT)	POUND	20,159
40600990	TEMPORARY RAMP	SQ YD	40
40604112	POLYMERIZED HOT-MIX ASPHALT SURFACE COURSE, IL-9.5 FG, MIX "D", N70	TON	3445
44000155	HOT-MIX ASPHALT SURFACE REMOVAL, 1 1/2"	SQ YD	29866
48102100	AGGREGATE WEDGE SHOULDER, TYPE B	TON	410
67100100	MOBILIZATION	L SUM	1
70100460	TRAFFIC CONTROL AND PROTECTION, STANDARD 701306	L SUM	1
70102620	TRAFFIC CONTROL AND PROTECTION, STANDARD 701501	L SUM	1
70102635	TRAFFIC CONTROL AND PROTECTION, STANDARD 701701	L SUM	1
70300100	SHORT TERM PAVEMENT MARKING	FOOT	6552
70300150	SHORT TERM PAVEMENT MARKING REMOVAL	SQ FT	1092

* Specialty Items

GENERAL NOTES

The following QA Mixture Requirements are applicable for this project:

Location(s):	Resurfacing		
Mixture Use(s):	Surface		
PG:	SBS PG 70-28		
Design Air Voids:	4.0 @ N70		
Mixture Composition (Mixture Gradation):	IL 9.5 FG		
Friction Aggregate:	D		
Mixture Weight:	112 lbs/sy/in		
Quality Management Program:	QC/QA		
Sublot Size:			
Number of Roller Passes ¹⁾ :			

1) When a number of roller passes is specified, the Contractor may opt to use intelligent compaction in lieu of density testing under the Quality Control for Performance (QCP) program.

The Contractor will be required to furnish 5 1/2" high brass stencils as approved by the Engineer and install stationing at 250' intervals. Stationing shall be placed on both lanes of 2-lane highways and on the outside lanes in both directions on 4-lane highways. The stations shall be placed 6" inside the pavement marking edge so they can be read from the shoulder. This work will be included in the cost of the final pavement surface.

The area to be tacked or primed shall be limited to that which can be covered with HMA on the next day's production, but no more than five days in advance of the placement of the HMA, unless approved by the Engineer.

Pavement Marking shall be done according to Standard 780001, except as follows:

1. All words, such as ONLY, shall be 8 feet high.
2. All non-freeway arrows shall be the large size.
3. The distance between yellow no-passing lines shall be 8 inches, not 7 inches, as shown in the detail of Typical Lane and Edge Lines.
4. Centerline Skip Dash Pavement Marking on multi-lane divided, multi-lane undivided, and one-way roadway shall be according to District Standard 41.1.

SCHEDULE OF QUANTITIES

FAP 309 (US 30)
SECTION D2 RS 2021-2
WHITESIDE COUNTY
CONTRACT #64P74
SHEET 6 of 12

40600295 POLYMERIZED BITUMINOUS MATERIAL (TACK COAT)

<u>LOCATION</u>	<u>POUND</u>	<u>REMARKS</u>
US 30		
STA. 1115+15 - 1174+30	20159	
TOTAL	20159	

40600990 TEMPORARY RAMP

<u>LOCATION</u>	<u>SQ YD</u>	<u>REMARKS</u>
US 30		
STA. 1115+15 - 1115+20	25	
STA. 1174+25 - 1174+30	15	
TOTAL	40	

40604112 POLYMERIZED HOT-MIX ASPHALT SURFACE COURSE, IL-9.5FG, MIX "D", N70

<u>LOCATION</u>	<u>TON</u>	<u>REMARKS</u>
US 30		
STA. 1115+15 - 1174+30	3445	Quantity Includes Shoulders & Safety Edge
TOTAL	3445	

44000155 HOT-MIX ASPHALT SURFACE REMOVAL, 1 1/2"

<u>LOCATION</u>	<u>SQ YD</u>	<u>REMARKS</u>
US 30		
STA. 1115+15 - 1174+30	29866	
TOTAL	29866	

48102100 AGGREGATE WEDGE SHOULDER, TYPE B

<u>LOCATION</u>	<u>TON</u>	<u>REMARKS</u>
US 30		
STA. 1115+15 - 1174+30	410	LT & RT
TOTAL	410	

70300100 SHORT TERM PAVEMENT MARKING

<u>LOCATION</u>	<u>FOOT</u>	<u>REMARKS</u>
US 30		
STA. 1115+15 - 1174+30	6552	2 Applications
TOTAL	6552	

70300150 SHORT TERM PAVEMENT MARKING REMOVAL

<u>LOCATION</u>	<u>SQ FT</u>	<u>REMARKS</u>
US 30		
STA. 1115+15 - 1174+30	1092	
TOTAL	1092	

78000100 THERMOPLASTIC PAVEMENT MARKING - LETTERS AND SYMBOLS

<u>LOCATION</u>	<u>SQ FT</u>	<u>REMARKS</u>
US 30		
STA. 1115+15 - 1156+00	344	
STA. 1157+00 - 1162+00	63	
TOTAL	407	

SCHEDULE OF QUANTITIES

FAP 309 (US 30)
SECTION D2 RS 2021-2
WHITESIDE COUNTY
CONTRACT #64P74
SHEET 7 of 12

78000200 THERMOPLASTIC PAVEMENT MARKING - LINE 4"

<u>LOCATION</u>	<u>FOOT</u>	<u>REMARKS</u>
US 30		
STA. 1115+15 - 1120+00	970	WHITE EDGE LINE
STA. 1115+15 - 1120+00	1200	YELLOW
STA. 1115+15 - 1120+00	300	YELLOW SKIP
STA. 1120+00 - 1126+00	1200	WHITE EDGE LINE
STA. 1120+00 - 1126+00	1189	YELLOW
STA. 1120+00 - 1126+00	11	DOUBLE YELLOW
STA. 1120+00 - 1126+00	297	YELLOW SKIP
STA. 1126+00 - 1132+00	1233	WHITE EDGE LINE
STA. 1126+00 - 1132+00	520	WHITE
STA. 1126+00 - 1132+00	114	YELLOW
STA. 1126+00 - 1132+00	860	DOUBLE YELLOW
STA. 1126+00 - 1132+00	28	YELLOW SKIP
STA. 1132+00 - 1138+00	1200	WHITE EDGE LINE
STA. 1132+00 - 1138+00	130	YELLOW
STA. 1132+00 - 1138+00	1941	DOUBLE YELLOW
STA. 1138+00 - 1144+00	1200	WHITE EDGE LINE
STA. 1138+00 - 1144+00	1200	DOUBLE YELLOW
STA. 1144+00 - 1150+00	1200	WHITE EDGE LINE
STA. 1144+00 - 1150+00	76	YELLOW
STA. 1144+00 - 1150+00	1404	DOUBLE YELLOW
STA. 1150+00 - 1156+00	1200	WHITE EDGE LINE
STA. 1150+00 - 1156+00	78	WHITE
STA. 1150+00 - 1156+00	114	YELLOW
STA. 1150+00 - 1156+00	1697	DOUBLE YELLOW
STA. 1156+00 - 1157+00	241	WHITE EDGE LINE
STA. 1156+00 - 1157+00	112	WHITE
STA. 1156+00 - 1157+00	4	DOUBLE YELLOW
SUB TOTAL	19719	

78000200 THERMOPLASTIC PAVEMENT MARKING - LINE 4"

CONTINUED

<u>LOCATION</u>	<u>FOOT</u>	<u>REMARKS</u>
US 30		
STA. 1157+00 - 1162+00	1000	WHITE EDGE LINE
STA. 1157+00 - 1162+00	27	WHITE
STA. 1157+00 - 1162+00	1988	DOUBLE YELLOW
STA. 1162+00 - 1168+00	1200	WHITE EDGE LINE
STA. 1162+00 - 1168+00	268	YELLOW
STA. 1162+00 - 1168+00	1282	DOUBLE YELLOW
STA. 1162+00 - 1168+00	50	YELLOW SKIP
STA. 1168+00 - 1174+30	1260	WHITE EDGE LINE
STA. 1168+00 - 1174+30	300	YELLOW
STA. 1168+00 - 1174+30	158	YELLOW SKIP
SUB TOTAL	7533	
TOTAL	27252	

78000500 THERMOPLASTIC PAVEMENT MARKING - LINE 8"

<u>LOCATION</u>	<u>FOOT</u>	<u>REMARKS</u>
US 30		
STA. 1126+00 - 1132+00	394	WHITE
STA. 1132+00 - 1138+00	14	WHITE
STA. 1150+00 - 1156+00	238	WHITE
STA. 1156+00 - 1157+00	2	WHITE
STA. 1157+00 - 1162+00	261	WHITE
TOTAL	909	

78000600 THERMOPLASTIC PAVEMENT MARKING - LINE 12"

<u>LOCATION</u>	<u>FOOT</u>	<u>REMARKS</u>
US 30		
STA. 1126+00 - 1132+00	49	YELLOW DIAGONAL
STA. 1132+00 - 1138+00	202	YELLOW DIAGONAL
STA. 1144+00 - 1150+00	29	YELLOW DIAGONAL
STA. 1150+00 - 1156+00	119	YELLOW DIAGONAL
STA. 1157+00 - 1162+00	252	YELLOW DIAGONAL
STA. 1162+00 - 1168+00	<u>91</u>	YELLOW DIAGONAL
TOTAL	994	

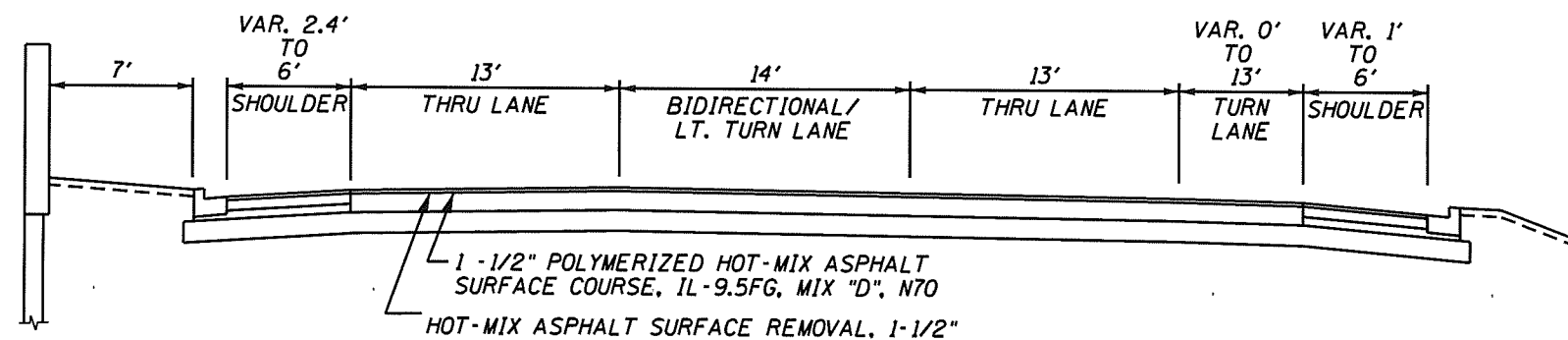
78100100 RAISED REFLECTIVE PAVEMENT MARKER

<u>LOCATION</u>	<u>EACH</u>	<u>REMARKS</u>
US 30		
STA. 1126+00 - 1162+00	27	ONE WAY CRYSTAL
STA. 1115+15 - 1174+30	117	TWO WAY AMBER
STA. 1126+00 - 1168+00	<u>108</u>	ONE WAY AMBER
TOTAL	252	

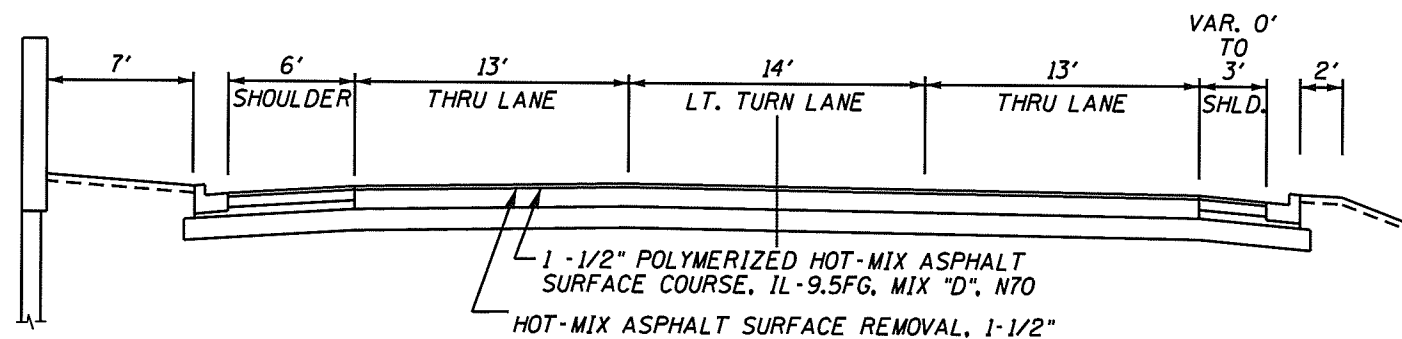
78300200 RAISED REFLECTIVE PAVEMENT MARKER REMOVAL

<u>LOCATION</u>	<u>EACH</u>	<u>REMARKS</u>
US 30		
STA. 1126+00 - 1168+00	<u>252</u>	
TOTAL	252	

F.A.P. RTE.	SECTION	COUNTY	TOTAL SHEETS	SHEET NO.
309	02 RS 2021-2	WHITESIDE	12	9
STA.		TO STA.		
FED. ROAD DIST. NO.		ILLINOIS FED. AID PROJECT		



TYPICAL SECTION
STA. 1115+15.00 TO STA. 1129+70.26



TYPICAL SECTION
STA. 1129+70.26 TO STA. 1133+60.57

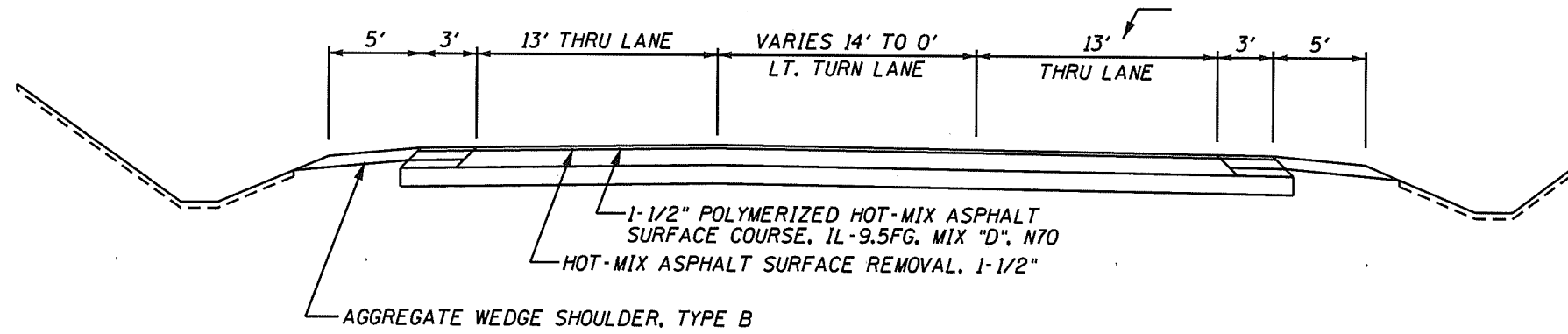
REVISIONS	
NAME	DATE

ILLINOIS DEPARTMENT OF TRANSPORTATION

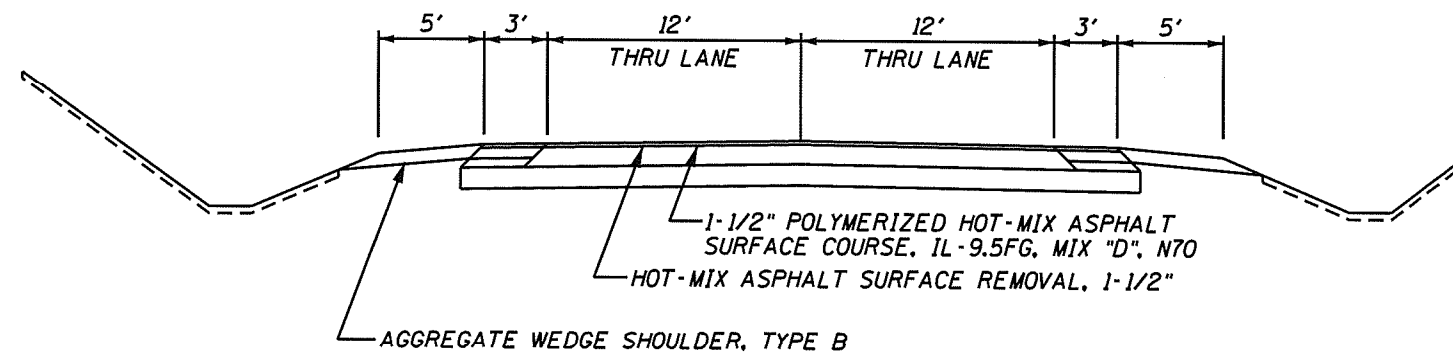
N.T.S.
SCALE:
DATE

DRAWN BY
CHECKED BY

F.A.P. RTE.	SECTION	COUNTY	TOTAL SHEETS	SHEET NO.
309	02 RS 2021-2	WHITESIDE	12	10
STA. TO STA.				
FED. ROAD DIST. NO.			ILLINOIS FED. AID PROJECT	



TYPICAL SECTION
 LT. STA. 1133+60.57 TO STA. 1137+82.19
 RT. STA. 1133+60.57 TO STA. 1137+49.42



TYPICAL SECTION
 LT. STA. 1137+82.19 TO STA. 1148+19.93
 RT. STA. 1137+49.42 TO STA. 1148+21.75

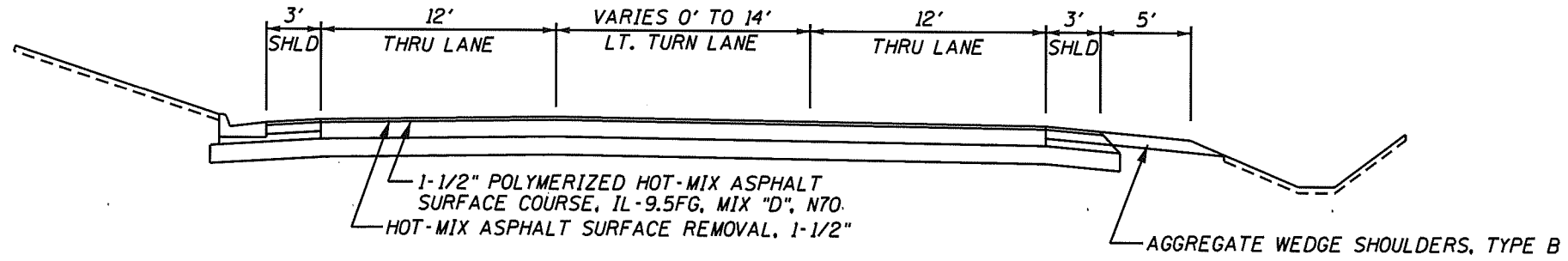
REVISIONS	
NAME	DATE

ILLINOIS DEPARTMENT OF TRANSPORTATION

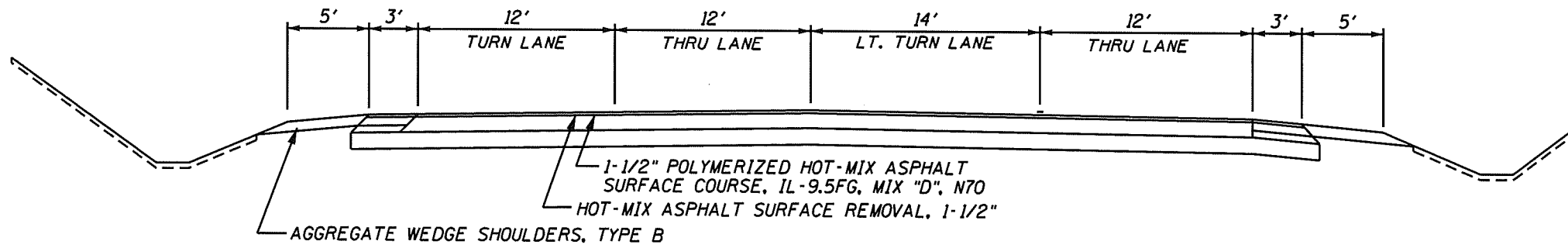
N.T.S.
 SCALE:
 DATE

DRAWN BY
 CHECKED BY

F.A.P. RTE.	SECTION	COUNTY	TOTAL SHEETS	SHEET NO.
309	02 RS 2021-2	WHITESIDE	12	11
STA.		TO STA.		
FED. ROAD DIST. NO.		ILLINOIS FED. AID PROJECT		



TYPICAL SECTION
 LT. STA. 1148+19.93 TO STA. 1153+01.64
 RT. STA. 1148+21.75 TO STA. 1153+01.64



TYPICAL SECTION
 STA. 1153+01.64 TO STA. 1162+08.77

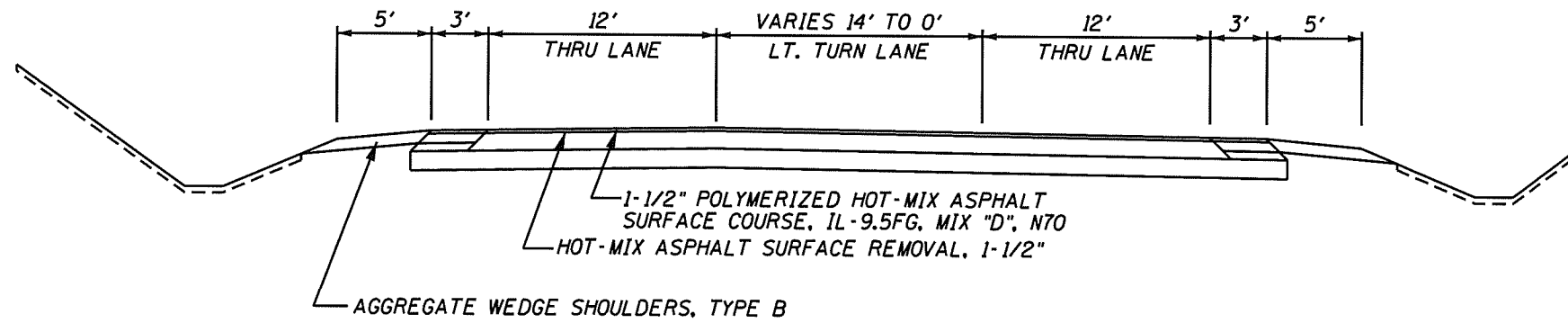
REVISIONS	
NAME	DATE

ILLINOIS DEPARTMENT OF TRANSPORTATION

N.T.S.
 SCALE:
 DATE

DRAWN BY
 CHECKED BY

F.A.P. RTE.	SECTION	COUNTY	TOTAL SHEETS	SHEET NO.
309	D2 RS 2021-2	WHITESIDE	12	12
STA.		TO STA.		
FED. ROAD DIST. NO.		ILLINOIS FED. AID PROJECT		



TYPICAL SECTION
STA. 1162+08.77 TO STA. 1174+30.00

REVISIONS	
NAME	DATE

ILLINOIS DEPARTMENT OF TRANSPORTATION

N.T.S.
SCALE:
DATE

DRAWN BY
CHECKED BY