

F.A.P. RTE.	SECTION	COUNTY	TOTAL SHEETS	SHEET NO.
325	(21) SLP, CR	MONTGOMERY	8	1
		ILLINOIS	CONTRACT: 72M58	

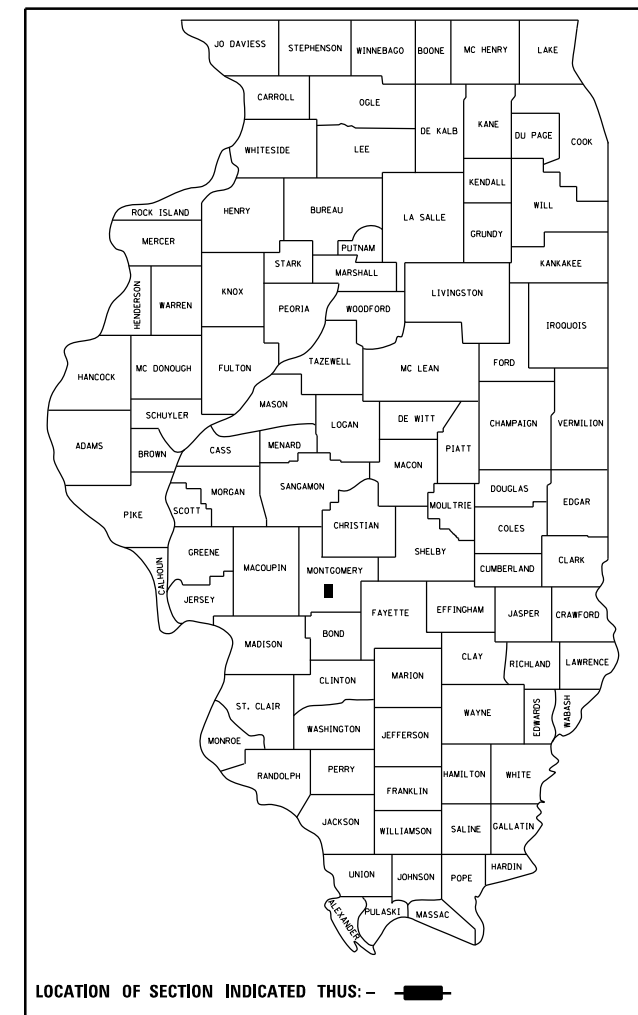
STATE OF ILLINOIS
DEPARTMENT OF TRANSPORTATION
DIVISION OF HIGHWAYS

PROPOSED
CONTRACT MAINTENANCE

FAP 325 (IL 16)
SECTION: (21) SLP, CR
PAVED DITCH REPAIR – CULVERT REPLACEMENT
MONTGOMERY COUNTY

FOR INDEX OF SHEETS, SEE SHEET NO. 2

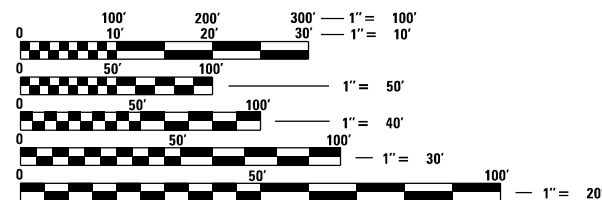
D-96-010-21



C-96-024-21



ADT: 3,250
HCV: 225
SU: 100
MU: 125

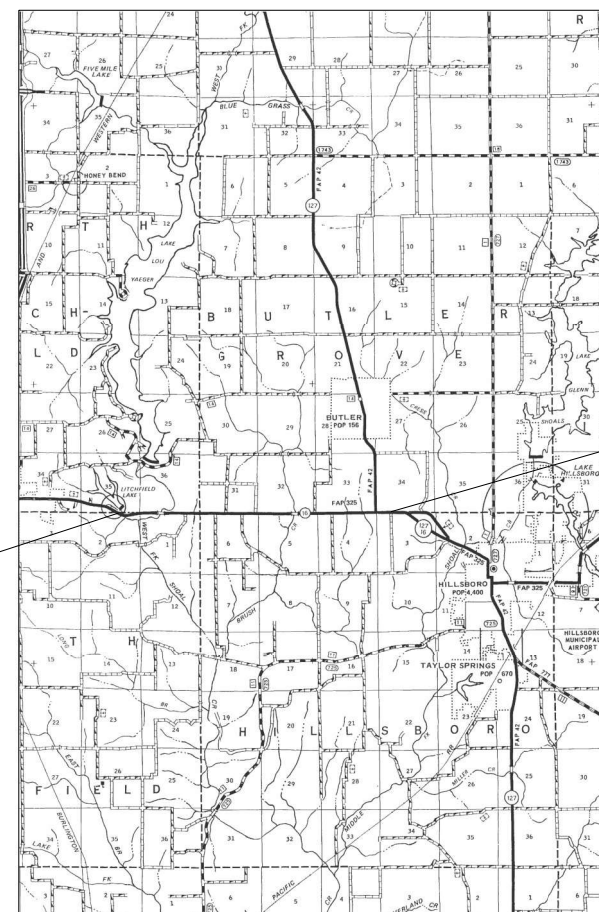


FULL SIZE PLANS HAVE BEEN PREPARED USING STANDARD ENGINEERING SCALES. REDUCED SIZED PLANS WILL NOT CONFORM TO STANDARD SCALES. IN MAKING MEASUREMENTS ON REDUCED PLANS, THE ABOVE SCALES MAY BE USED.

J.U.L.I.E.
 JOINT UTILITY LOCATION INFORMATION FOR EXCAVATION
 1-800-892-0123
 OR 811

PROJECT ENGINEER : STEVE BERAN – (217)782-7314
PROJECT MANAGER : TIM SHARP – (217)524-9160

CONTRACT NO. 72M58



PROJECT LOCATION #1
STA. 115 + 26

PROJECT LOCATION #2
STA. 363 + 20

STATE OF ILLINOIS
 DEPARTMENT OF TRANSPORTATION
 DIVISION OF HIGHWAYS

SUBMITTED February 4, 2020

Steve Beran
 REGIONAL ENGINEER

March 19, 2021
Scott A. Elk
 ENGINEER OF DESIGN AND ENVIRONMENT

March 19, 2021
James J. Guerin
 DIRECTOR OF HIGHWAYS PROJECT IMPLEMENTATION 13




PRINTED BY THE AUTHORITY
OF THE STATE OF ILLINOIS

INDEX

SHEET NO.	DESCRIPTION
1.	COVER SHEET
2.	INDEX, STANDARDS, GENERAL NOTES, SIGNATURES
3.	SUMMARY OF QUANTITIES
4-6.	LOCATION MAPS
7.	TYPICALS
8.	DETAILS

STANDARDS

STANDARD NO.	DESCRIPTION
606401-02	PAVED DITCH
701001-02	OFF-RD OPERATIONS, 2L, 2W, MORE THAN 15'(4.5m) AWAY
701006-05	OFF-RD OPERATIONS, 2L2W, 15'(4.5m) TO 24"(600mm) FROM EDGE OF PAVEMENT
701501-06	URBAN LANE CLOSURE, 2L, 2W, UNDIVIDED
701901-08	TRAFFIC CONTROL DEVICES
B.L.R. 21-9	TYPICAL APPLICATION OF TRAFFIC CONTROL DEVICES FOR CONSTRUCTION ON RURAL LOCAL HIGHWAYS

STATE OF ILLINOIS DEPARTMENT OF TRANSPORTATION DIVISION OF HIGHWAYS DISTRICT 6	
EXAMINED	February 5 20 21
	
ENGINEER OF OPERATIONS	
EXAMINED	February 5 20 21
	
ENGINEER OF PROJECT IMPLEMENTATION	
EXAMINED	February 5 20 21
	
ENGINEER OF PROGRAM DEVELOPMENT	

FILE NAME =	USER NAME = SHARPTD	DESIGNED - DMS	REVISED - _____	STATE OF ILLINOIS DEPARTMENT OF TRANSPORTATION	INDEX, STANDARDS, SIGNATURES	F.A.P. RTE.	SECTION	COUNTY	TOTAL SHEETS	SHEET NO.
S:\CONTRMAINT_CAD\72M58 - FAP 325 (IL 16) - Mont. Co. - Remove & Replace Pipe Culvert	DRAWN BY 72M58-DMS	CHECKED - _____	REVISED - _____			325	(21) SLP, CR	MONTGOMERY	8	2
Default	PLOT SCALE = 40.0000' / in.	DATE - 5-13-2013	REVISED - _____			CONTRACT NO. 72M58			ILLINOIS FED. AID PROJECT	

SCALE: _____ SHEET ____ OF ____ SHEETS STA. _____ TO STA. _____

CODE NO.	ITEM	UNIT	TOTAL QUANTITY	0-02175-6014
				CONSTR. CODE
				100 STATE Montgomery
				PIPE CULVERT
				0004
				RURAL
20800150	TRENCH BACKFILL	CU YD	30	30
44004000	PAVED DITCH REMOVAL	FOOT	150	150
40200300	AGGREGATE SURFACE COURSE, TYPE A 4"	SQ YD	15	15
50105220	PIPE CULVERT REMOVAL	FOOT	50	50
54205515	PIPE CULVERTS, CLASS C, TYPE 1 EQUIVALENT ROUND-SIZE 60"	FOOT	50	50
67100100	MOBILIZATION	L SUM	1	1
70100450	TRAFFIC CONTROL AND PROTECTION, STANDARD 701201	L SUM	1	1
70102620	TRAFFIC CONTROL AND PROTECTION, STANDARD 701501	L SUM	1	1
X6061460	PAVED DITCH (SPECIAL)	FOOT	150	150
X7011800	TRAFFIC CONTROL AND PROTECTION, STANDARD BLR 21	L SUM	1	1

FILE NAME =	USER NAME = SHARPTD	DESIGNED - DMS	REVISED - _____
S:\CONTRMAINT_CAD\72M58 - FAP 325 (IL 18)	Mont. Co. - Remove & Replace Pipe Culvert	DRAWN - DMS	REVISED - _____
Default	PLOT SCALE = 40.0000' / in.	CHECKED - _____	REVISED - _____
	PLOT DATE = 2/9/2021	DATE - 5-13-2013	REVISED - _____

**STATE OF ILLINOIS
DEPARTMENT OF TRANSPORTATION**

SUMMARY OF QUANTITIES

SCALE: _____ SHEET ____ OF ____ SHEETS STA. _____ TO STA. _____

F.A.P. RTE.	SECTION	COUNTY	TOTAL SHEETS	SHEET NO.
325	(21) SLP, CR	MONTGOMERY	8	3
CONTRACT NO. 72M58			ILLINOIS FED. AID PROJECT	

PROJECT LOCATION #1
STA. 115+26

PROJECT LOCATION #2
STA. 363+20



FILE NAME =	USER NAME = SHARPTD	DESIGNED - DMS	REVISED - _____
S:\CONTRMAINT_CAD\72M58 - FAP 325 (IL 16) - Mont. Co. - Remove & Replace Pipe Culvert	DRAWN BY = DMS	CHECKED - _____	REVISED - _____
Default	PLOT SCALE = 40.0000' / in.	DATE - 5-13-2013	REVISED - _____
	PLOT DATE = 2/5/2021		

**STATE OF ILLINOIS
DEPARTMENT OF TRANSPORTATION**

PROJECT LOCATION			
SCALE: _____	SHEET _____	OF _____	SHEETS
STA. _____	TO STA. _____		

F.A.P. RTE.	SECTION	COUNTY	TOTAL SHEETS	SHEET NO.
325	(21) SLP, CR	MONTGOMERY	8	4
CONTRACT NO. 72M58				
ILLINOIS FED. AID PROJECT				

EXIST. PAVED DITCH REMOVAL
AND REPLACEMENT 150'
STA. 115+26

PROP. PAVED DITCH (SPECIAL),
150 L.F., SEE DETAIL ON
SHEET 8



FILE NAME =	USER NAME = SHARPTD	DESIGNED - DMS	REVISED - _____
S:\CONTRMAINT_CAD\72M58 - FAP 325 (IL 16) - Mont. Co. - Remove & Replace Pipe Culvert	DRAWN BY = DMS	DATE = 5-13-2013	REVISED - _____
Default	PLOT SCALE = 40.0000' / in.	DATE = 5-13-2013	REVISED - _____
	PLOT DATE = 2/4/2021		

**STATE OF ILLINOIS
DEPARTMENT OF TRANSPORTATION**

PROJECT LOCATION

SCALE: _____ SHEET ____ OF ____ SHEETS STA. _____ TO STA. _____

F.A.P. RTE.	SECTION	COUNTY	TOTAL SHEETS	SHEET NO.
325	(21) SLP, CR	MONTGOMERY	8	5
CONTRACT NO. 72M58			ILLINOIS FED. AID PROJECT	



EXIST. PIPE CULVERT REMOVAL
AND REPLACEMENT 50 L.F.,
STA. 363+20, 41' RT

PROP. PIPE CULVERT, CLASS C,
TYPE 1, 47 x 71, 50 L.F., MATCH
EXISTING CONDITIONS.

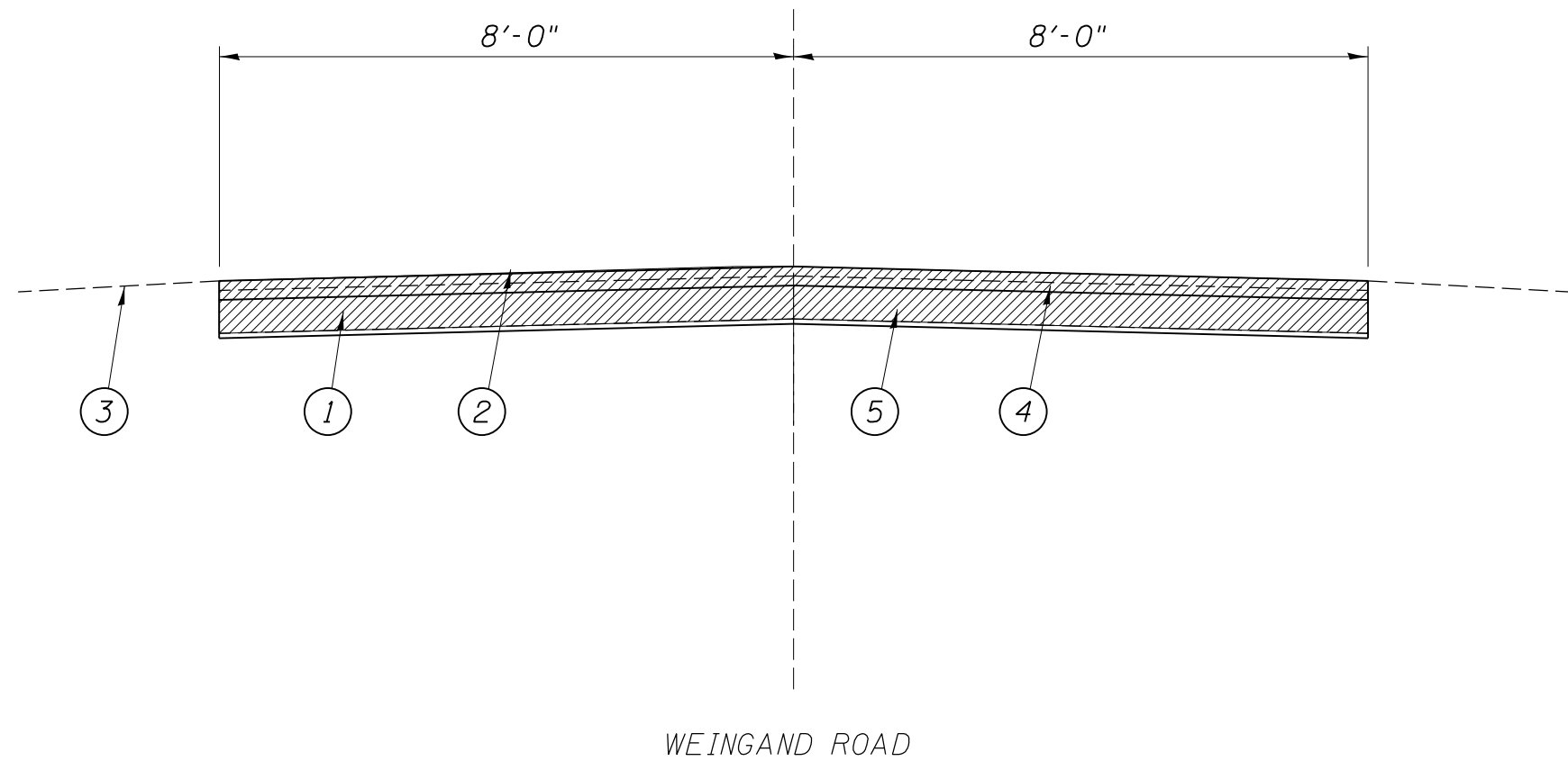
FILE NAME =	USER NAME = SHARPTD	DESIGNED - DMS	REVISED - _____
S:\CONTRMAINT_CAD\72M58 - FAP 325 (IL 16) - Mont. Co. - Remove & Replace Pipe Culvert	DRAWN BY = DMS	CHECKED - _____	REVISED - _____
Default	PLOT SCALE = 40.0000' / in.	DATE - 5-13-2013	REVISED - _____
	PLOT DATE = 2/4/2021		

**STATE OF ILLINOIS
DEPARTMENT OF TRANSPORTATION**

PROJECT LOCATION

SCALE: _____ SHEET ____ OF ____ SHEETS STA. _____ TO STA. _____

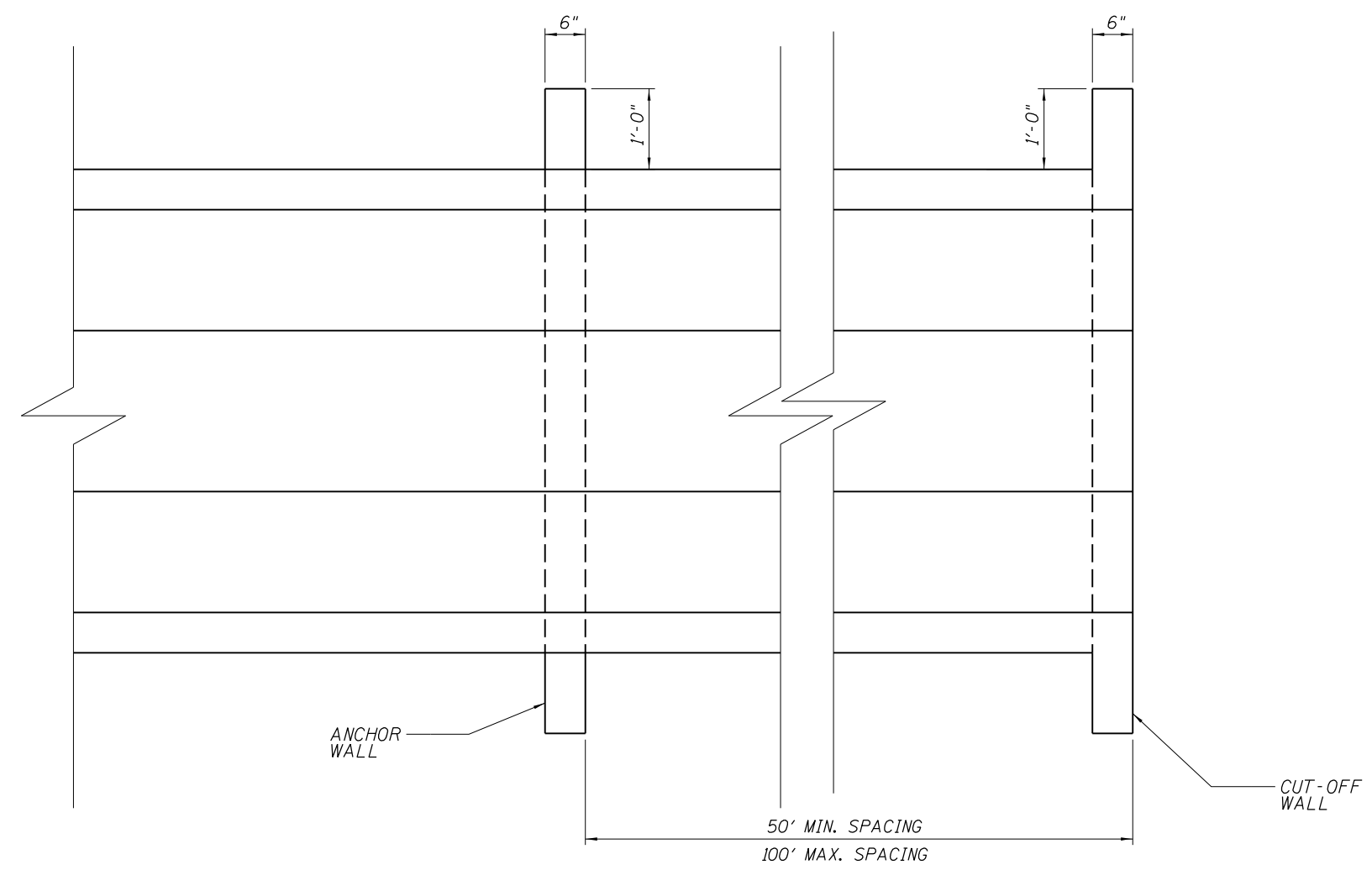
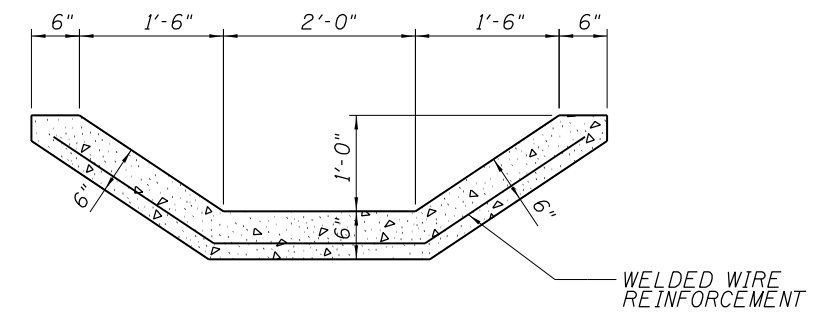
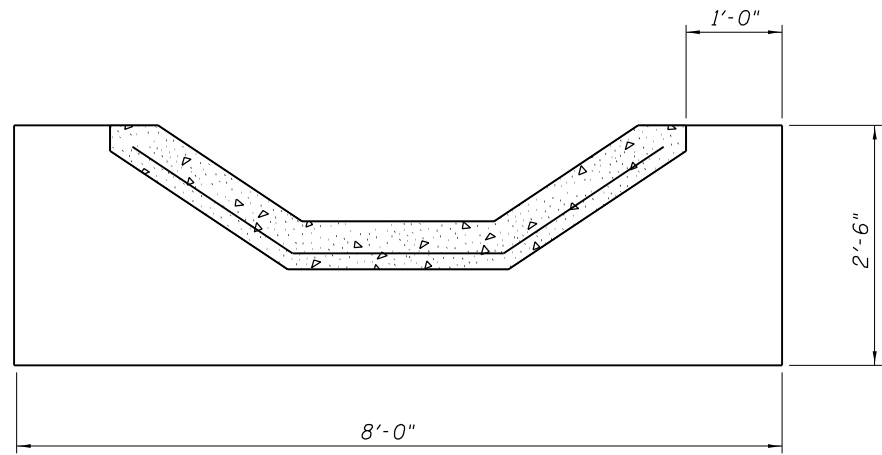
F.A.P. RTE.	SECTION	COUNTY	TOTAL SHEETS	SHEET NO.
325	(21) SLP, CR	MONTGOMERY	8	6
ILLINOIS FED. AID PROJECT			CONTRACT NO. 72M58	



LEGEND

- 1 - EXIST. AGGREGATE BASE COURSE
- 2 - EXIST. BITUMINOUS SURFACE TREATMENT
- 3 - EXIST. EARTH SHOULDERS
- 4 - PROP. AGGREGATE SURFACE COURSE, TYPE B 4"
- 5 - ROCK FILL

FILE NAME =	USER NAME = SHARPTD	DESIGNED -	REVISED -	STATE OF ILLINOIS DEPARTMENT OF TRANSPORTATION	TYPICALS	F.A.P. RTE.	SECTION	COUNTY	TOTAL SHEETS	SHEET NO.
S:\CONTRMAINT_CAD\72M58 - FAP 325 (IL 18) - Mont. Co. - Remove & Replace Pipe Culvert	DRAWN	ANS\72M58-sht-7-typical.dgn	REVISED -			325	(21) SLP, CR	MONTGOMERY	8	7
Default	PLOT SCALE = 3/8" = 1'	CHECKED -	REVISED -			CONTRACT NO. 72M58			ILLINOIS FED. AID PROJECT	
	PLOT DATE = 2/5/2021	DATE -	REVISED -			SCALE:	SHEET OF SHEETS	STA. TO STA.		



NOTE:
 CLASS SI CONCRETE SHALL BE USED THROUGHOUT FOR PAVED DITCH, CUT-OFF WALLS AND ANCHOR WALL. CUT-OFF AND ANCHOR WALLS SHALL BE CONSTRUCTED MONOLITHICALLY WITH THE PAVED DITCH. CUT-OFF WALLS SHALL BE CONSTRUCTED AT BOTH DOWNSTREAM AND UPSTREAM ENDS, WITH ANCHOR WALLS SPACED AT A MINIMUM OF 50 FEET AND A MAXIMUM OF 100 FEET BETWEEN CUT-OFF WALLS. ONE ANCHOR SHALL BE CONSTRUCTED FOR EACH FULL 100 FEET OF PAVED DITCH.

MODEL: C:\Users\3...
 FILE NAME: S:\CONTRMANT CAD\72M58 - FAP 325 (IL 16) - Mont. Co. - Remove & Replace Pipe Culvert IL-16\Plan\72M58-dt-d.dwg

USER NAME = SHARPTD	DESIGNED - _____	REVISED - _____
	DRAWN - _____	REVISED - _____
PLOT SCALE = 2.0000' / in.	CHECKED - _____	REVISED - _____
PLOT DATE = 2/5/2021	DATE - _____	REVISED - _____

STATE OF ILLINOIS
DEPARTMENT OF TRANSPORTATION

PAVED DITCH DETAIL

SCALE: _____ SHEET ____ OF ____ SHEETS STA. _____ TO STA. _____

F.A.S. RTE.	SECTION	COUNTY	TOTAL SHEETS	SHEET NO.
325	(21) SLP, CR	MONTGOMERY	8	8
CONTRACT NO. 72M58				
ILLINOIS FED. AID PROJECT				