

FILE NAME = O:\Engineering\LiveProjects\20095.IDOT DUR.WO 4 - 62M26.CADD\CADD Sheets\Civil\162M26-sh1-SDD.dgn

CODE NO.	ITEM	UNIT	TOTAL QUANTITY URBAN	CONSTR. CODE
				80% FED 20% STATE BRIDGE 0059 016-0556
58600101	GRANULAR BACKFILL FOR STRUCTURES	CU YD	15	15
60251740	CATCH BASINS TO BE ADJUSTED WITH NEW TYPE 24 FRAME AND GRATE	EACH	1	1
60605000	COMBINATION CONCRETE CURB AND GUTTER, TYPE B-6.24	FOOT	68	68
* 66900200	NON-SPECIAL WASTE DISPOSAL	CU YD	182	182
* 66900530	SOIL DISPOSAL ANALYSIS	EACH	2	2
* 66901001	REGULATED SUBSTANCES PRE-CONSTRUCTION PLAN	LSUM	1	1
* 66901003	REGULATED SUBSTANCES FINAL CONSTRUCTION REPORT	LSUM	1	1
* 66901006	REGULATED SUBSTANCES MONITORING	CAL DA	10	10
67000400	ENGINEER'S FIELD OFFICE, TYPE A	CAL MO	12	12
67100100	MOBILIZATION	L SUM	1	1
* 78000200	THERMOPLASTIC PAVEMENT MARKING - LINE 4"	FOOT	240	240
* 78009004	MODIFIED URETHANE PAVEMENT MARKING - LINE 4"	FOOT	477	477
78100100	RAISED REFLECTIVE PAVEMENT MARKER	EACH	8	8
X7010216	TRAFFIC CONTROL AND PROTECTION, (SPECIAL)	L SUM	1	1

* SPECIALTY ITEM

CODE NO.	ITEM	UNIT	TOTAL QUANTITY URBAN	CONSTR. CODE
				80% FED 20% STATE BRIDGE 0059 016-0556
Z0006012	BRIDGE DECK LATEX CONCRETE OVERLAY, 2 1/4 INCHES	SQ YD	101	101
Z0012130	BRIDGE DECK SCARIFICATION 3/4"	SQ YD	101	101
Z0012754	STRUCTURAL REPAIR OF CONCRETE (DEPTH EQUAL TO OR LESS THAN 5 INCHES)	SQ FT	59	59
Z0012755	STRUCTURAL REPAIR OF CONCRETE (DEPTH GREATER THAN 5 INCHES)	SQ FT	16	16
Z0013798	CONSTRUCTION LAYOUT	L SUM	1	1
Z0016002	DECK SLAB REPAIR (FULL DEPTH, TYPE II)	SQ YD	9	9
Z0030850	TEMPORARY INFORMATION SIGNING	SQ FT	55	55
Z0073300	TEMPORARY SHORING AND CRIBBING	L SUM	1	1
* Z0073510	TEMPORARY TRAFFIC SIGNAL TIMING	EACH	3	3
Ø Z0076600	TRAINEES	HOUR	500	500
Ø Z0076604	TRAINEES - TRAINING PROGRAM GRADUATE	HOUR	500	500

* SPECIALTY ITEM

Ø 0042

REVISED SHEET 3/29/2021

REV-SEP



USER NAME = JENT	DESIGNED - JJD	REVISED -
DRAWN - JJD	REVISIONS -	
PLOT SCALE = 2.0000' / 1in.	CHECKED - JMT	REVISIONS -
PLOT DATE = 12/11/2020	DATE - 12/4/2020	REVISIONS -

STATE OF ILLINOIS
DEPARTMENT OF TRANSPORTATION

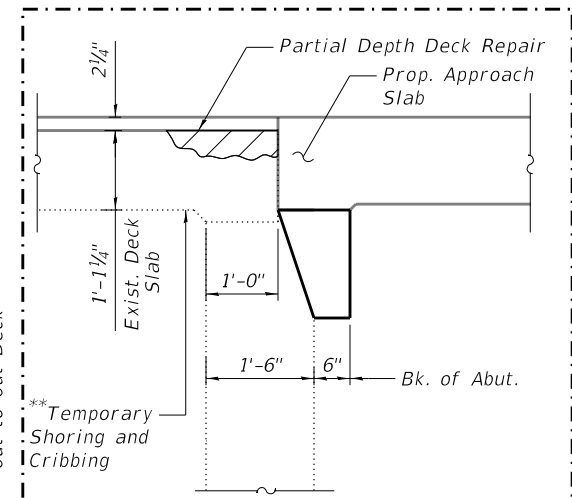
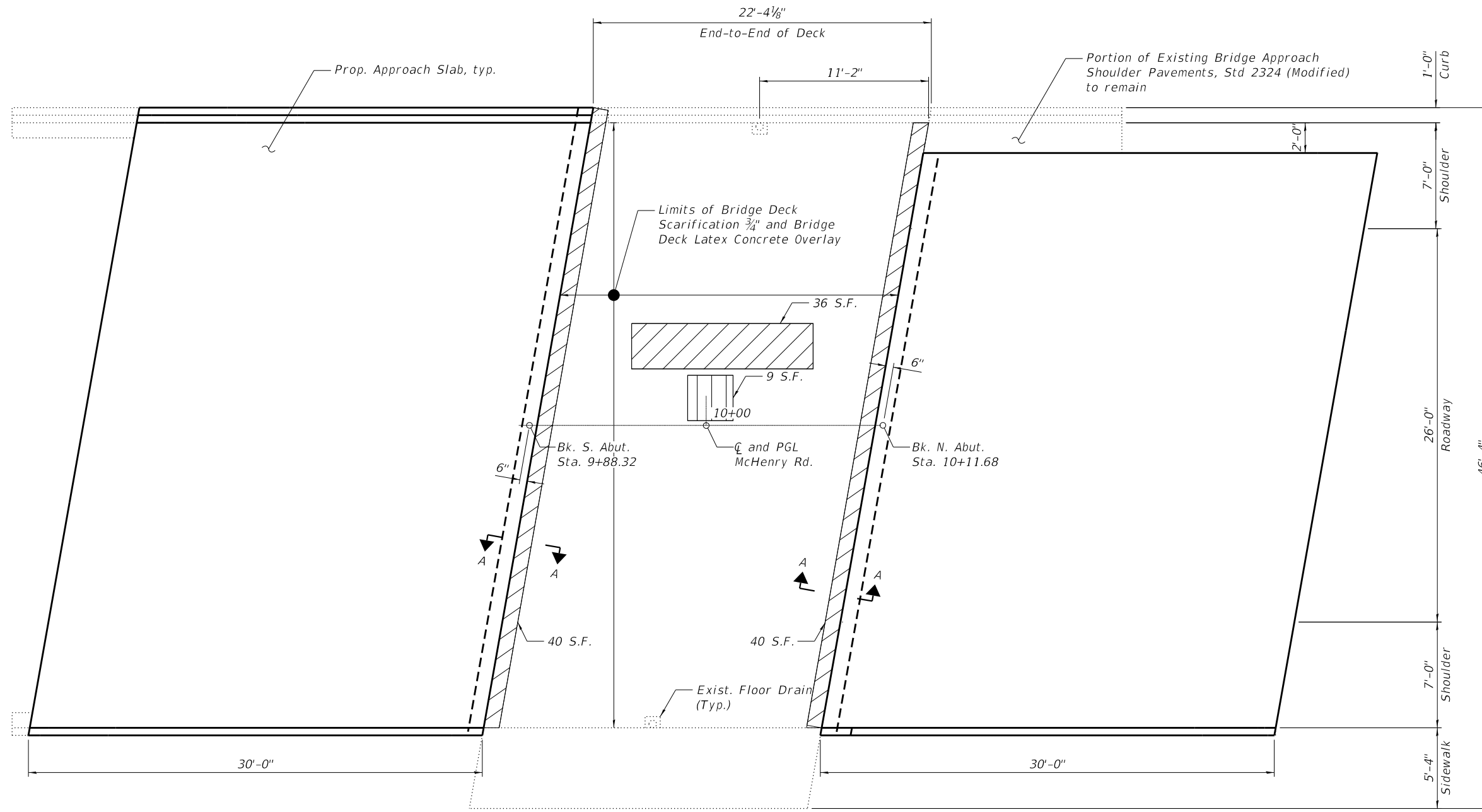
SUMMARY OF QUANTITIES
MCHENRY RD OVER WHEELING DRAINAGE DITCH

SCALE: SHEET OF SHEETS STA. TO STA.

F.A.U. RTE.	SECTION	COUNTY	TOTAL SHEETS	SHEET NO.
2682	2020-151-BR	COOK	26	4
CONTRACT NO.			62M26	
ILLINOIS FED. AID PROJECT				

BILL OF MATERIAL

ITEM	UNIT	TOTAL
Bridge Deck Grooving	SQ YD	96
Protective Coat	SQ YD	117
Bridge Deck Latex Concrete Overlay, 2 1/4 Inches	SQ YD	101
Bridge Deck Scarification 3/4"	SQ YD	101
Deck Slab Repair (Full Depth, Type II)	SQ YD	9
Temporary Shoring And Cribbing	L SUM	1



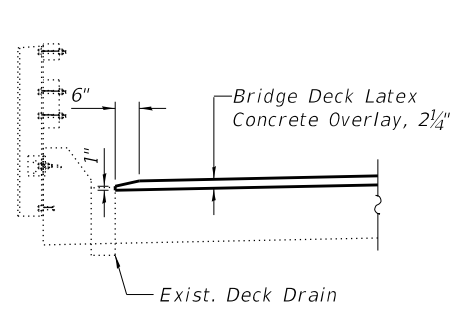
SECTION A-A

**REACTIONS
Slab Dead Load at Abutment = 2.2 K/ft.

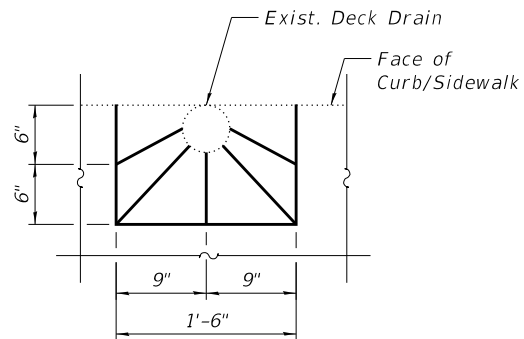
NOTES:

1. Areas of deck repairs shown are estimated. The Engineer shall show actual locations of deck repairs on As-Built Plans.

DECK PLAN



FLOOR DRAIN DETAIL



TOP PLAN

LEGEND

- *Deck Slab Repair (Partial)
- Deck Slab Repair (Full)

*Areas of Deck Slab Repair (Partial) are provided for information only and shall be included in the cost of Bridge Deck Latex Concrete Overlay

REVISED SHEET 3/26/2021

**STATE OF ILLINOIS
DEPARTMENT OF TRANSPORTATION**

**DECK REPAIR PLAN
STRUCTURE NO. 016-0556**

SHEET S-04 OF S-11 SHEETS

F.A.U. RTE.	SECTION	COUNTY	TOTAL SHEETS	SHEET NO.
2682	2020-151-BR	COOK	26	13
CONTRACT NO. 62M26				

ILLINOIS FED. AID PROJECT

MODEL: Default
FILE NAME: P:\2004-823 PTB195-006-ACCURATE\W0#4 McHenry Rd@ Wheeling Drainage Ditch\Sheet Files\0160556-62M26-S04-Deck Repair Plan.dgn
3/26/2021 1:31:23 PM



USER NAME =	DESIGNED - JMI	REVISED - 3/26/2021 SK, AMS
PLOT SCALE =	CHECKED - RTB	REVISED -
PLOT DATE =	DRAWN - JMI	REVISED -
	DATE - 3/26/2021	REVISED -