

STATE OF ILLINOIS
DEPARTMENT OF TRANSPORTATION

F.A.P. RTE.	SECTION	COUNTY	TOTAL SHEETS	SHEET NO.
808	CM21-5015	CHAMPAIGN	15	1
		ILLINOIS	CONTRACT NO. 70F12	

FOR INDEX OF SHEETS, SEE SHEET NO. 2
FOR SUMMARY OF QUANTITIES, SEE SHEET NO. 3

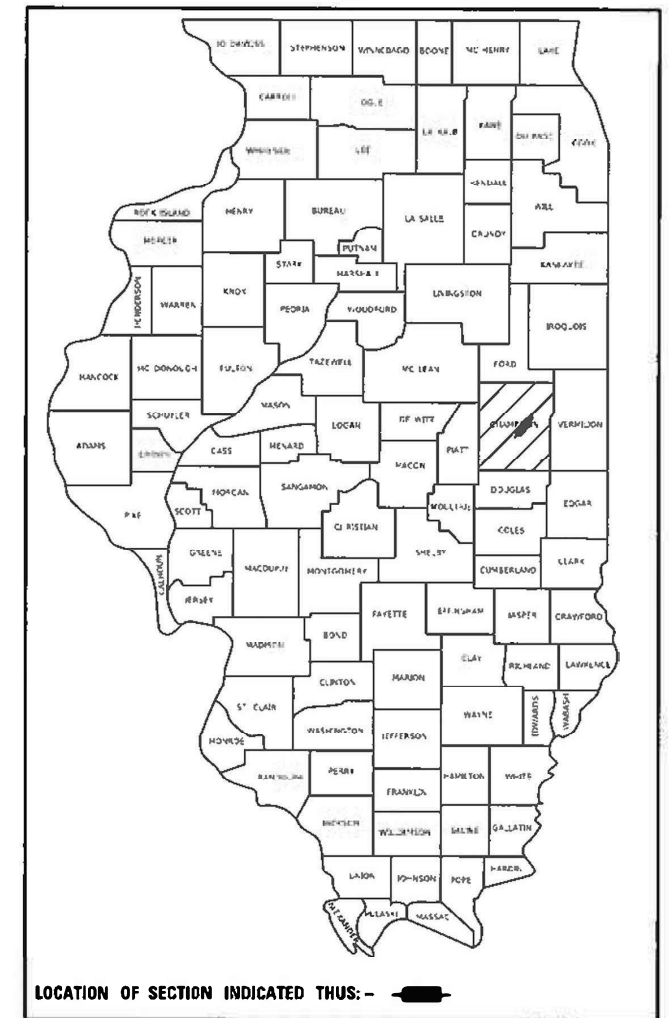
PROPOSED HIGHWAY PLANS

FAP ROUTE 808 (IL 130)
SECTION CM21-5015
LONGITUDINAL JOINT REPAIR
CHAMPAIGN COUNTY

C-95-020-21

GUARDIAN DR. TO I-74 RAMPS IN URBANA

D-95-004-21



TRAFFIC DATA

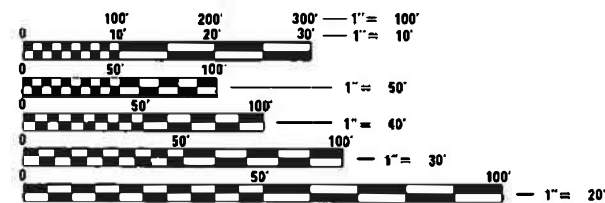
2020 ADT	=	10,700
P.V. %	=	93.9%
S.U. %	=	2.8%
M.U. %	=	3.3%
TRUCK RTE.	=	CLASS II
N.H.S. RTE.	=	YES

DESIGN DESIGNATION

OTHER PRINCIPAL ARTERIAL

TOWNSHIP

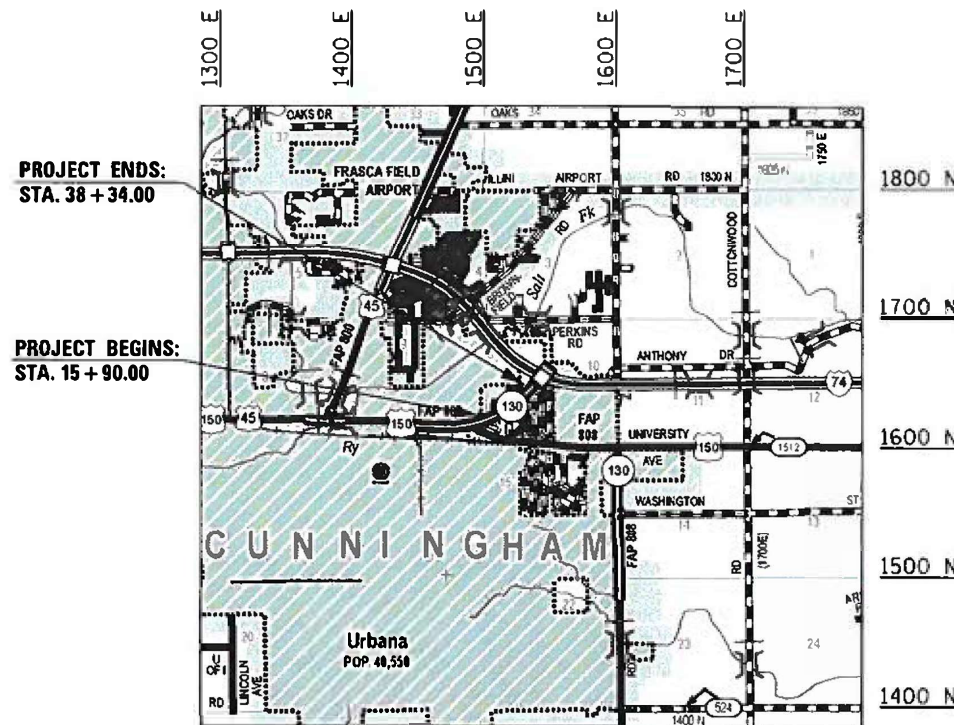
URBANA



FULL SIZE PLANS HAVE BEEN PREPARED USING STANDARD ENGINEERING SCALES. REDUCED SIZED PLANS WILL NOT CONFORM TO STANDARD SCALES. IN MAKING MEASUREMENTS ON REDUCED PLANS THE ABOVE SCALES MAY BE USED.

J.U.L.I.E.
JOINT UTILITY LOCATION INFORMATION FOR EXCAVATORS
1-800-892-0123
OR 811

PROJECT ENGINEER: JASON STULTS, P.E.
PROJECT MANAGER: JOSEPH GRAZIANO, P.E.
DESIGNER: XINYU SUN, P.E.
PHONE NUMBER: (217)465-4181
CONTRACT NO. 70F12



GROSS LENGTH = 2244 FT. = 0.425 MILE
NET LENGTH = 2244 FT. = 0.425 MILE

STATE OF ILLINOIS
DEPARTMENT OF TRANSPORTATION

SUBMITTED 11/20 2021
Kensil A. Harrett
REGIONAL ENGINEER

March 19, 2021
Jason Stults
ENGINEER OF DESIGN AND ENVIRONMENT

March 19, 2021
James J. Quinn
DIRECTOR OF HIGHWAYS PROJECT IMPLEMENTATION 13

PRINTED BY THE AUTHORITY
OF THE STATE OF ILLINOIS

INDEX OF SHEETS

SHEET NO.	DESCRIPTION
1	COVER SHEET
2	INDEX OF SHEETS
2	HIGHWAY STANDARDS
2	GENERAL NOTES
3	SUMMARY OF QUANTITIES
4-6	TYPICAL CROSS SECTION
7	SCHEDULE OF QUANTITIES
8-11	PLAN SHEETS
12-14	WIDTH RESTRICTION SIGNING
15	I-74 OFF-RAMPS SIGNING DETAIL

LIST OF HIGHWAY STANDARDS

STANDARD NO.	DESCRIPTION
000001-08	STANDARDS SYMBOLS, ABBREVIATIONS, & PATTERNS
001006	DECIMAL OF AN INCH AND OF A FOOT
701101-05	OFF ROAD OPERATIONS, MULTILANE 15' TO 24" FROM PAVEMENT EDGE
701106-02	OFF ROAD OPERATIONS, MULTILANE, MORE THAN 15' AWAY
701426-09	LANE CLOSURE, MULTILANE, INTERMITTENT OR MOVING OPER., FOR SPEEDS ≥ 45 MPH
701601-09	URBAN LANE CLOSURE, MULTILANE, 1W OR 2W WITH NONTRAVERABLE MEDIAN
701701-10	URBAN LANE CLOSURE, MULTILANE INTERSECTION
781001-04	TYPICAL APPLICATIONS RAISED REFLECTIVE PAVEMENT MARKERS
701901-08	TRAFFIC CONTROL DEVICES

GENERAL NOTES

G.N.-100A
ELECTRONIC FILES AND/OR ELECTRONIC SURVEY INFORMATION INCLUDING CADD FILES WILL NOT BE AVAILABLE TO THE CONTRACTOR.

G.N.-406H
Mixture Requirements

THE FOLLOWING MIXTURE REQUIREMENTS ARE APPLICABLE FOR THIS PROJECT:

Location	IL 130
Mixture Use	Surface
AC/PG	PG 64-22
Design Air Voids	4.0% @ Ndes=70
Mix Comp(Gradation)	IL 9.5
Friction Aggregate	Mix D
Mixture Weight	112
Quality Management Program	QC/QA
Sublot Size	N.A.

G.N.- 703A
SHORT TERM PAVEMENT MARKING SHALL BE APPLIED TO THE PAVEMENT AFTER ANY OF THE FOLLOWING: COLD MILLING AND/OR PLACING BITUMINOUS MATERIALS (TACK COAT), LEVELING BINDER (MACHINE METHOD), BINDER AND SURFACE COURSES. SHORT TERM PAVEMENT MARKING PLACED ON THE SURFACE SHALL COINCIDE WITH THE FINAL PAVEMENT STRIPING. SHORT TERM PAVEMENT MARKING PLACED PRIOR TO THE SURFACE SHALL COINCIDE WITH THE EXISTING PAVEMENT MARKINGS. USE 4 FEET PER 40 FEET (OR 10% PER STATION).

G.N.-780 (SPL)
PAVEMENT MARKING FOR THIS PROJECT IS TO BE PERFORMED BY OTHERS, FIELD PERSONNEL SHALL NOTIFY GARY SIMS, DISTRICT 5 TRAFFIC OPERATIONS ENGINEER AT (217) 465-4181 WHEN THE PROJECT IS COMPLETE AND READY FOR PAVEMENT MARKINGS.

G.N.-781
THE FINAL PAVEMENT MARKINGS SHALL BE IN PLACE PRIOR TO PLACING THE RAISED REFLECTIVE PAVEMENT MARKERS.

COMMITMENTS

THERE ARE NO COMMITMENTS FOR THIS PROJECT

**STATE OF ILLINOIS
DEPARTMENT OF TRANSPORTATION**

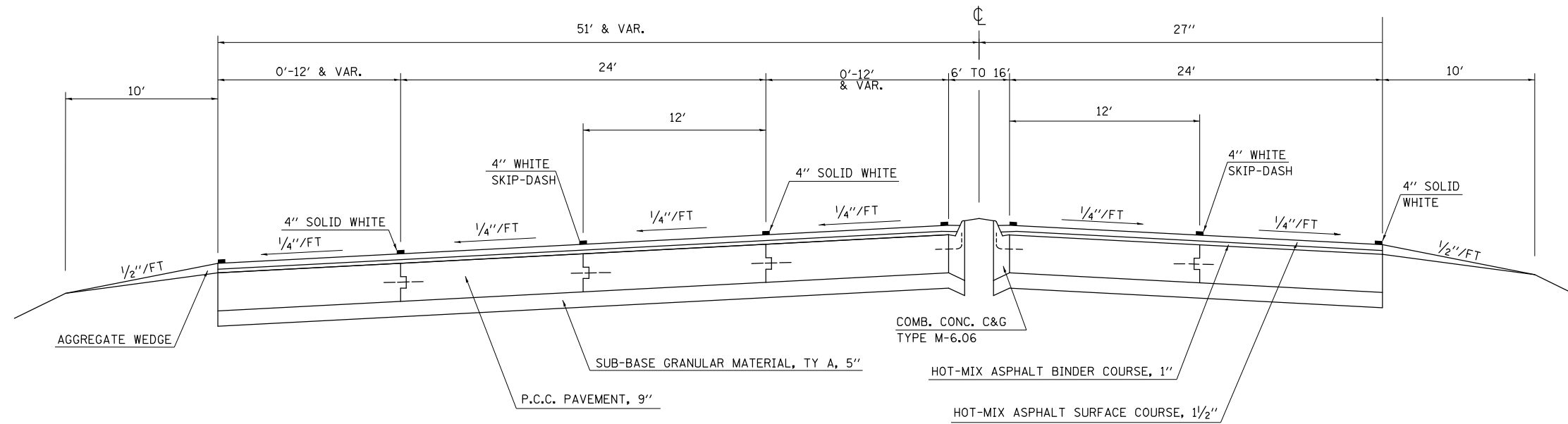
**INDEX OF SHEETS, HIGHWAY STANDARDS
COMMITMENTS, GENERAL NOTES**

SCALE: SHEET 1 OF 1 SHEETS STA. TO STA.

F.A.P. RTE.	SECTION	COUNTY	TOTAL SHEETS	SHEET NO.
808	CM21-5015	CHAMPAIGN	15	2
				CONTRACT NO. 70F12
ILLINOIS FED. AID PROJECT				

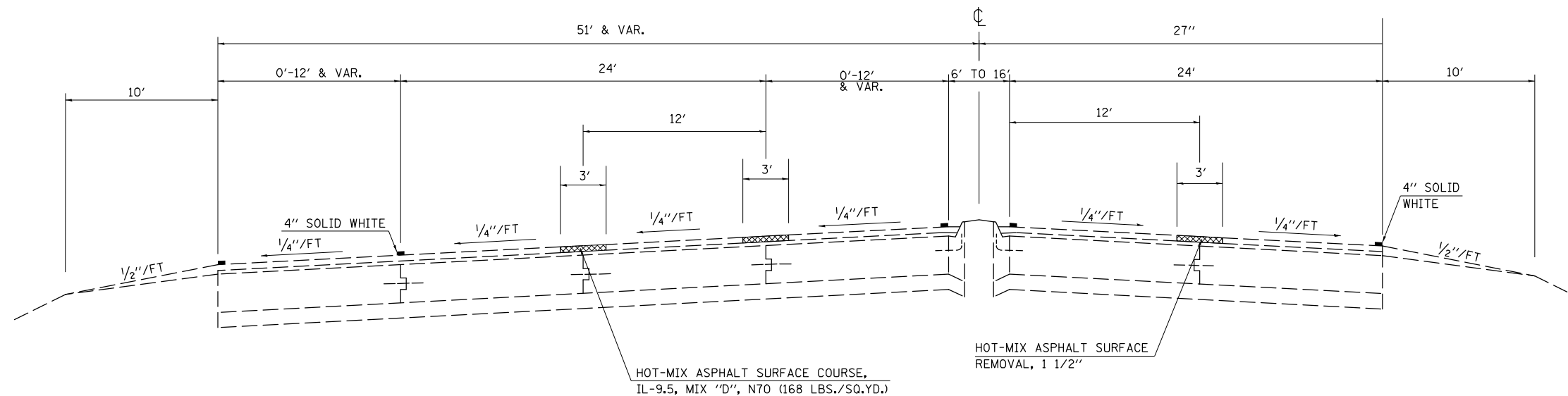
EXISTING TYPICAL CROSS-SECTION ①

EB CENTERLINE: STA 15+90.00 TO STA 25+65.74 ②
 WB CENTERLINE: STA 17+25.00 TO STA 25+65.74 ②
 WB LTL: STA 16+20.00 TO STA 17+50.00



PROPOSED TYPICAL CROSS-SECTION ①

EB CENTERLINE: STA 15+90.00 TO STA 25+65.74 ②
 WB CENTERLINE: STA 17+25.00 TO STA 25+65.74 ②
 WB LTL: STA 16+20.00 TO STA 17+50.00



MODEL: \\MODEL\NAME: FILE: NAME: ...

USER NAME = suix	DESIGNED -	REVISED -
PLOT SCALE = 40,0000 * / in.	DRAWN -	REVISED -
PLOT DATE = 1/20/2021	CHECKED -	REVISED -
	DATE -	REVISED -

STATE OF ILLINOIS
DEPARTMENT OF TRANSPORTATION

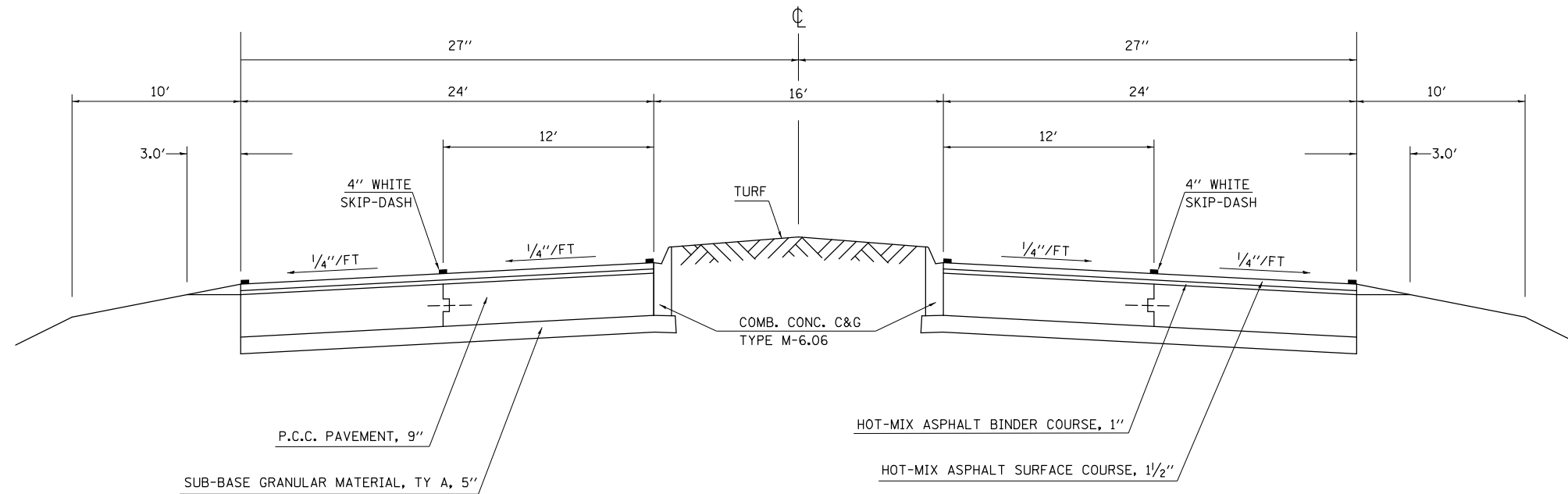
EXISTING TYPICAL CROSS SECTIONS

SCALE: SHEET 1 OF 3 SHEETS STA. TO STA.

F.A.P. RTE.	SECTION	COUNTY	TOTAL SHEETS	SHEET NO.
808	CM21-5015	CHAMPAIGN	15	4
CONTRACT NO. 70F12				
ILLINOIS FED. AID PROJECT				

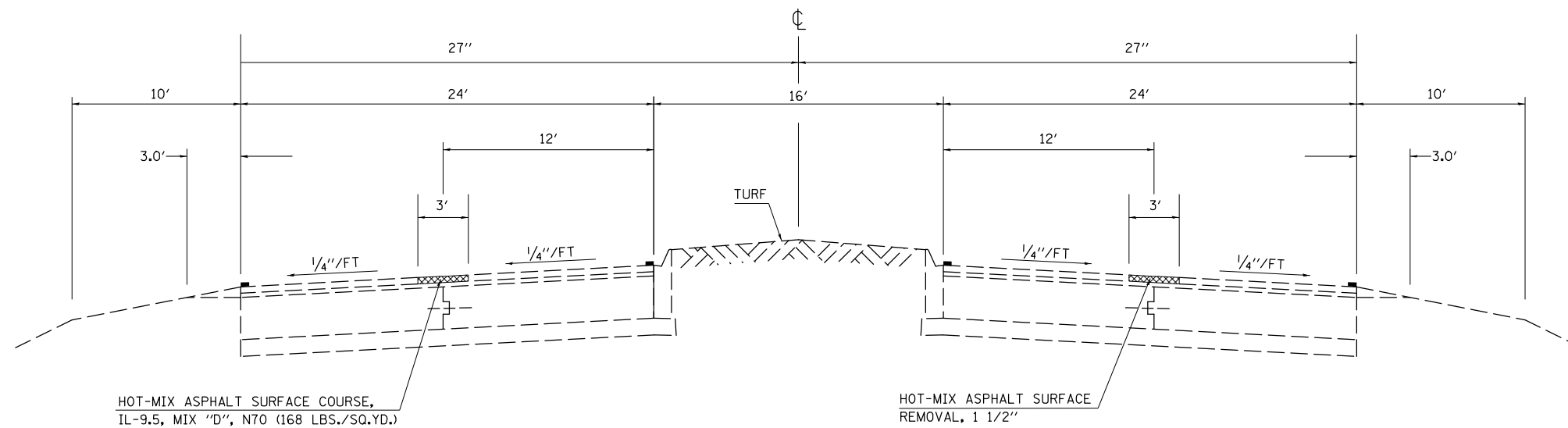
EXISTING TYPICAL CROSS-SECTION ②

- ① EB CENTERLINE: STA 25+65.74 TO STA 35+72.92 ③
 ① WB CENTERLINE: STA 25+65.74 TO STA 35+72.92 ③



PROPOSED TYPICAL CROSS-SECTION ②

- ① EB CENTERLINE: STA 25+65.74 TO STA 35+72.92 ③
 ① WB CENTERLINE: STA 25+65.74 TO STA 35+72.92 ③



MODEL: \\MODEL\MHFS
 FILE NAME: \\p14\m\com\m\dot\illinois\gov\pww\dot\Documents\DOT_Offices\District 5\Projects\057012\CADD\057012_rbt_Typical.dgn

USER NAME = suix	DESIGNED -	REVISED -
	DRAWN -	REVISED -
PLOT SCALE = 40,0000 * / in.	CHECKED -	REVISED -
PLOT DATE = 1/20/2021	DATE -	REVISED -

**STATE OF ILLINOIS
 DEPARTMENT OF TRANSPORTATION**

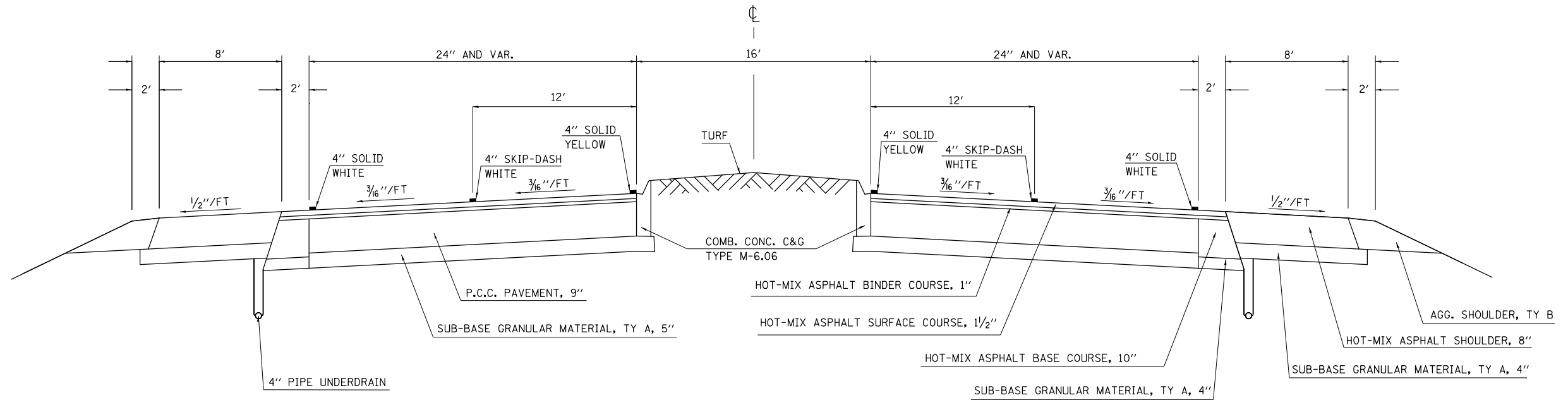
EXISTING TYPICAL CROSS SECTIONS

SCALE: SHEET 2 OF 3 SHEETS STA. TO STA.

F.A.P. RTE.	SECTION	COUNTY	TOTAL SHEETS	SHEET NO.
808	CM21-5015	CHAMPAIGN	15	5
CONTRACT NO. 70F12				
ILLINOIS FED. AID PROJECT				

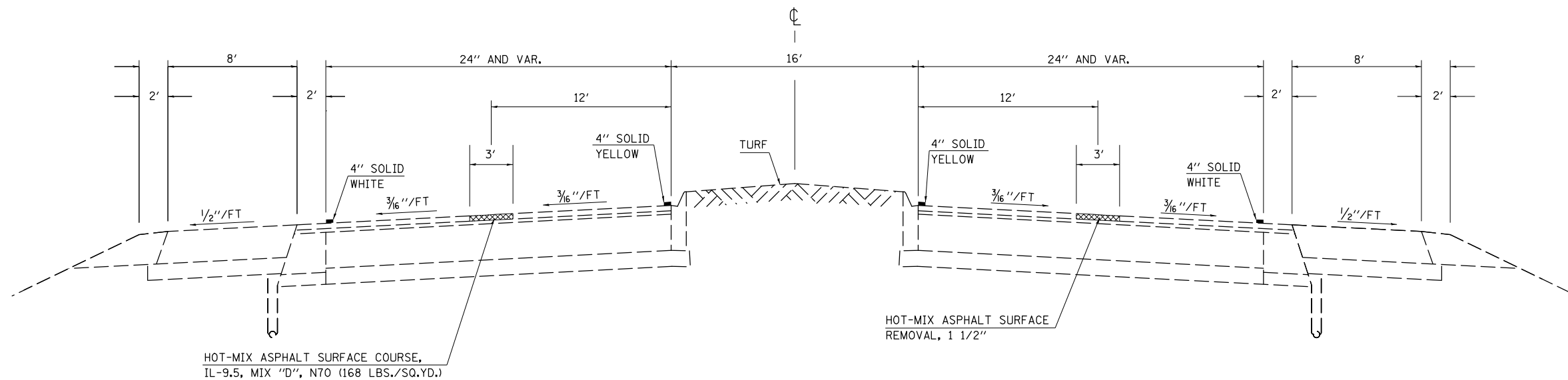
EXISTING TYPICAL CROSS-SECTION ③

- ② EB CENTERLINE: STA 35+72.92 TO STA 38+34.00
- ② WB CENTERLINE: STA 35+65.74 TO STA 38+14.00



PROPOSED TYPICAL CROSS-SECTION ③

- ② EB CENTERLINE: STA 35+72.92 TO STA 38+34.00
- ② WB CENTERLINE: STA 35+65.74 TO STA 38+14.00



MODEL: \\MODEL\NAME: FILE: NAME: ...

USER NAME = suix	DESIGNED -	REVISED -
	DRAWN -	REVISED -
PLOT SCALE = 40,0000 * / in.	CHECKED -	REVISED -
PLOT DATE = 1/20/2021	DATE -	REVISED -

**STATE OF ILLINOIS
DEPARTMENT OF TRANSPORTATION**

EXISTING TYPICAL CROSS SECTIONS

SCALE: SHEET 3 OF 3 SHEETS STA. TO STA.

F.A.P. RTE.	SECTION	COUNTY	TOTAL SHEETS	SHEET NO.
808	CM21-5015	CHAMPAIGN	15	6
CONTRACT NO. 70F12				
ILLINOIS FED. AID PROJECT				

SCHEDULE OF QUANTITIES

								BITUMINOUS MATERIALS (TACK COAT) (POUND)	H.M.A. SURFACE CRSE. 1L-9.5, MIX "D", N70 (TON)	HOT-MIX ASPHALT SURFACE REMOVAL 1 1/2" (SQ YD)	SHORT TERM PAVEMENT MARKING (FOOT)	SHORT TERM PAVEMENT MARKING REMOVAL (SQ FT)	RAISED REFLECTIVE PAVEMENT MARKER (EACH)	RAISED REFLECTIVE PAVEMENT MARKER REMOVAL (EACH)
LOCATIONS	STATION	TO	STATION	LENGTH (FOOT)	WIDTH (FOOT)	AREA (SQ FT)	DEPTH (INCH)	40600290	40604062	44000155	70300100	70300150	78100100	78300200
EB CENTERLINE	15+90	TO	38+34	2244.0	3.0	6732.0	1.5	336.6	62.8	748.0	204.0	68.0	58.0	16.0
WB LTL	16+20	TO	17+50	130.0	3.0	390.0	1.5	19.5	3.6	43.3	12.0	4.0	4.0	
WB CENTERLINE	17+25	TO	38+14	2089.0	3.0	6267.0	1.5	313.4	58.5	696.3	192.0	64.0	54.0	15.0
TOTAL :								669.5	125.0	1487.7	408.0	136.0	116.0	31.0
USE :								670.0	125.0	1488.0	408.0	136.0	116.0	31.0

MODEL: \\MODEL\MNFs
 FILE NAME: \\p14\m1000\m1000\dot\illinois.gov\PIWIDOT\Documents\DOT_Offices\District 5\Projects\0570F12\CADD\B10\CADProcess\0570F12\p14-Schedule.dgn

USER NAME = slrx	DESIGNED -	REVISED -
	DRAWN -	REVISED -
PLOT SCALE = 40,0000 * / in.	CHECKED -	REVISED -
PLOT DATE = 1/20/2021	DATE -	REVISED -

**STATE OF ILLINOIS
DEPARTMENT OF TRANSPORTATION**

SCHEDULE OF QUANTITIES

SCALE: SHEET 1 OF 1 SHEETS STA. TO STA.

F.A.P. RTE.	SECTION	COUNTY	TOTAL SHEETS	SHEET NO.
808	CM21-5015	CHAMPAIGN	15	7
CONTRACT NO. 70F12				
ILLINOIS		FED. AID PROJECT		



MODEL: \\MODEL\NAME
 FILE NAME: \\PLOT\808\DOT\Documents\DOT Office\District 3\Projects\057012\130\00\00\00\CAD\Process\057012-rte-Plan.dgn

USER NAME = suix	DESIGNED -	REVISED -
	DRAWN -	REVISED -
PLOT SCALE = 40,0000 */ in.	CHECKED -	REVISED -
PLOT DATE = 1/20/2021	DATE -	REVISED -

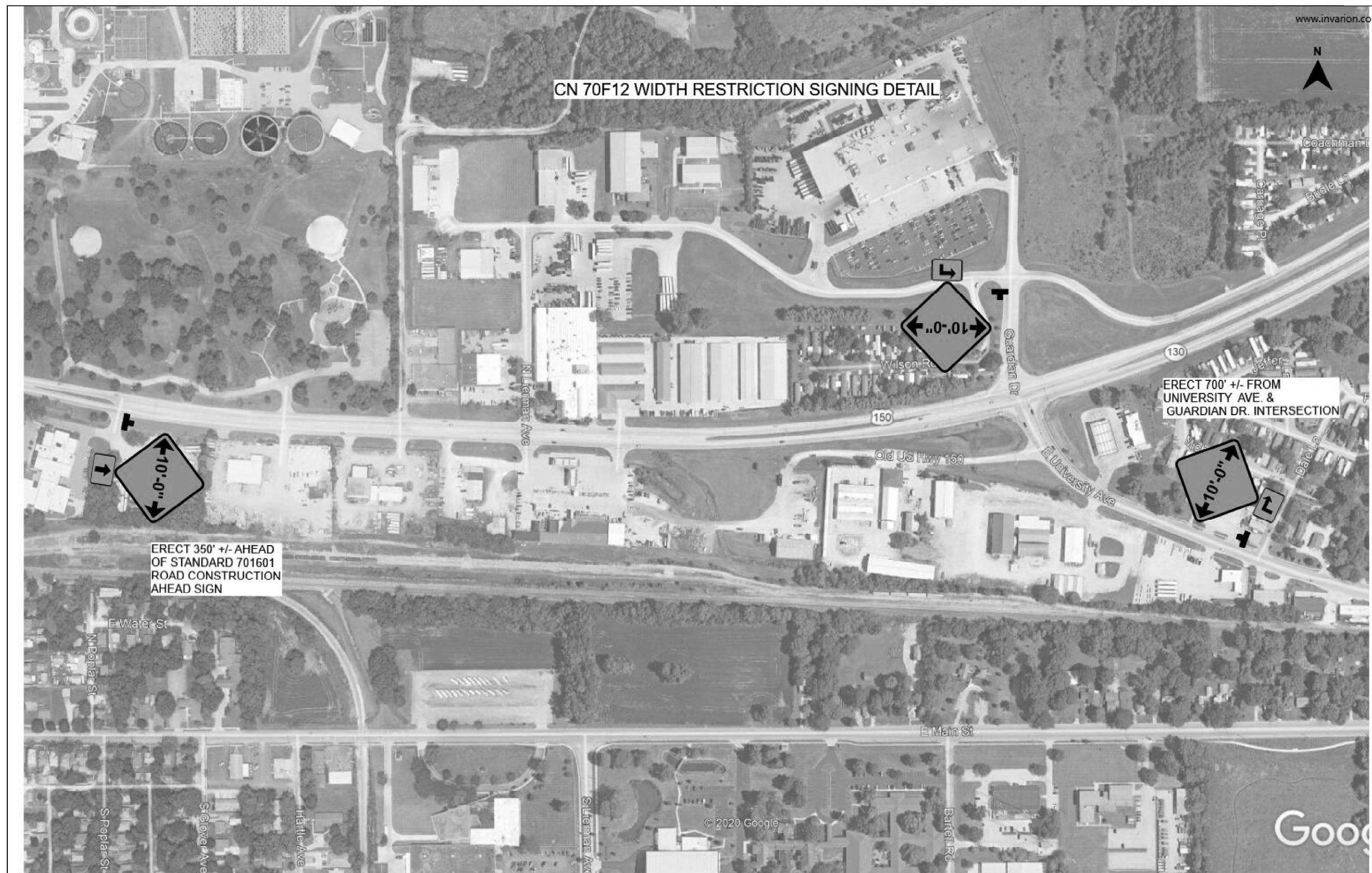
STATE OF ILLINOIS
DEPARTMENT OF TRANSPORTATION

PLAN SHEET

SCALE: SHEET 3 OF 4 SHEETS STA. TO STA.

F.A.P. RTE.	SECTION	COUNTY	TOTAL SHEETS	SHEET NO.
808	CM21-5015	CHAMPAIGN	15	10
CONTRACT NO. 70F12				
ILLINOIS FED. AID PROJECT				

WIDTH RESTRICTION SIGNING DETAIL



MODEL: \\MODEL\NAME
 FILE: \\NAME: \\path\to\file\name.dwg
 PROJECT: \\PROJECT\NAME
 OFFICE: \\OFFICE\NAME
 DATE: 1/20/2021

USER NAME = suix	DESIGNED -	REVISED -
	DRAWN -	REVISED -
PLOT SCALE = 40,0000 * / in.	CHECKED -	REVISED -
PLOT DATE = 1/20/2021	DATE -	REVISED -

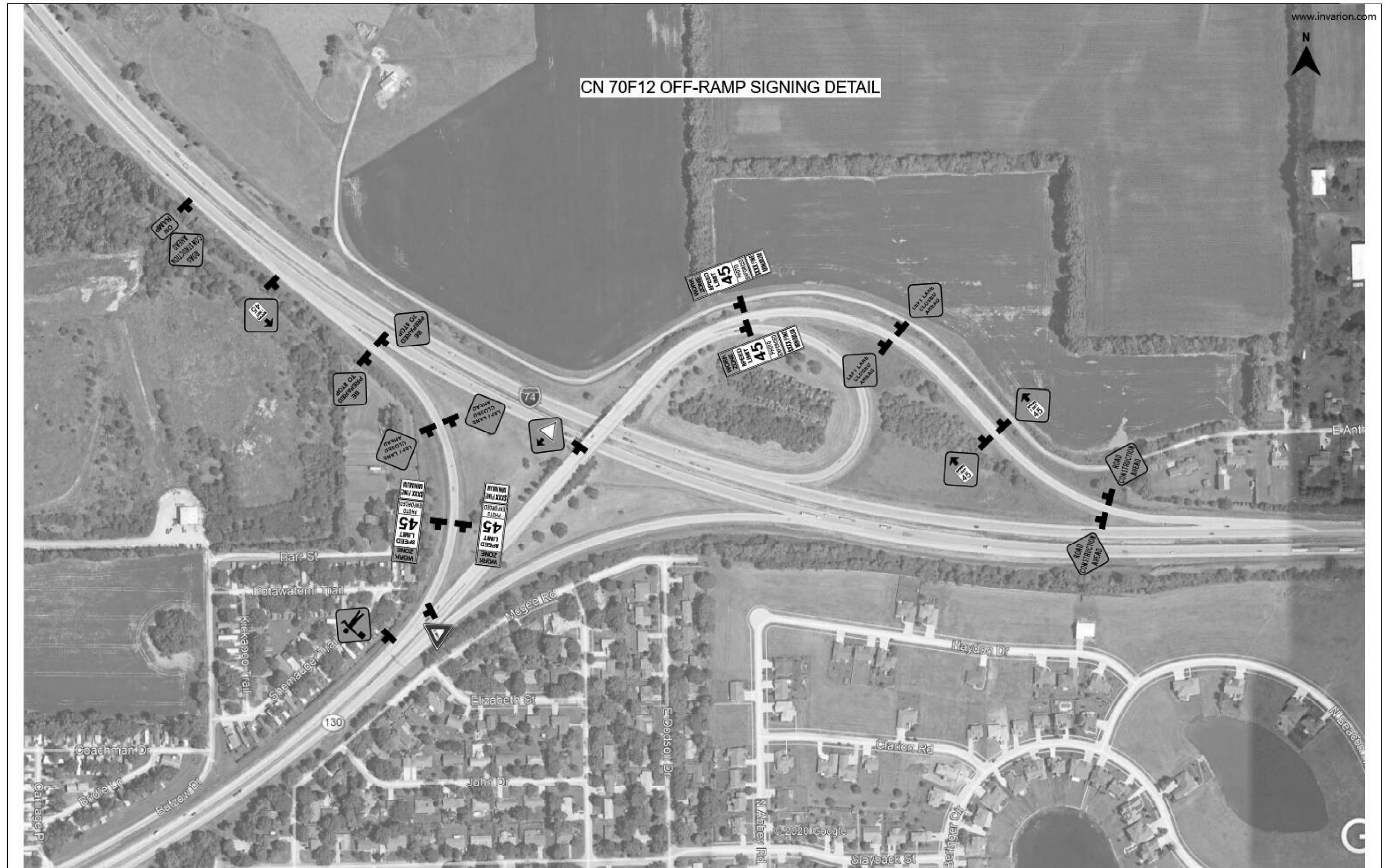
**STATE OF ILLINOIS
DEPARTMENT OF TRANSPORTATION**

WIDTH RESTRICTION SIGNING DETAIL

SCALE: SHEET 2 OF 2 SHEETS STA. TO STA.

F.A.P. RTE.	SECTION	COUNTY	TOTAL SHEETS	SHEET NO.
808	CM21-5015	CHAMPAIGN	15	13
CONTRACT NO. 70F12				
ILLINOIS FED. AID PROJECT				

I - 74 OFF - RAMP SIGNING DETAIL



MODEL: \\MODEL\NAME
 FILE: \\NAME: \\path\to\file.dwg
 PROJECT: \\PROJECT\NAME
 OFFICE: \\OFFICE\NAME
 DATE: 1/20/2021

USER NAME = suix	DESIGNED -	REVISED -
	DRAWN -	REVISED -
PLOT SCALE = 40,0000 * / in.	CHECKED -	REVISED -
PLOT DATE = 1/20/2021	DATE -	REVISED -

STATE OF ILLINOIS
DEPARTMENT OF TRANSPORTATION

I-74 OFF-RAMPS SIGNING DETAIL

SCALE: SHEET 1 OF 1 SHEETS STA. TO STA.

F.A.P. RTE.	SECTION	COUNTY	TOTAL SHEETS	SHEET NO.
808	CM21-5015	CHAMPAIGN	15	15
CONTRACT NO. 70F12				
ILLINOIS FED. AID PROJECT				