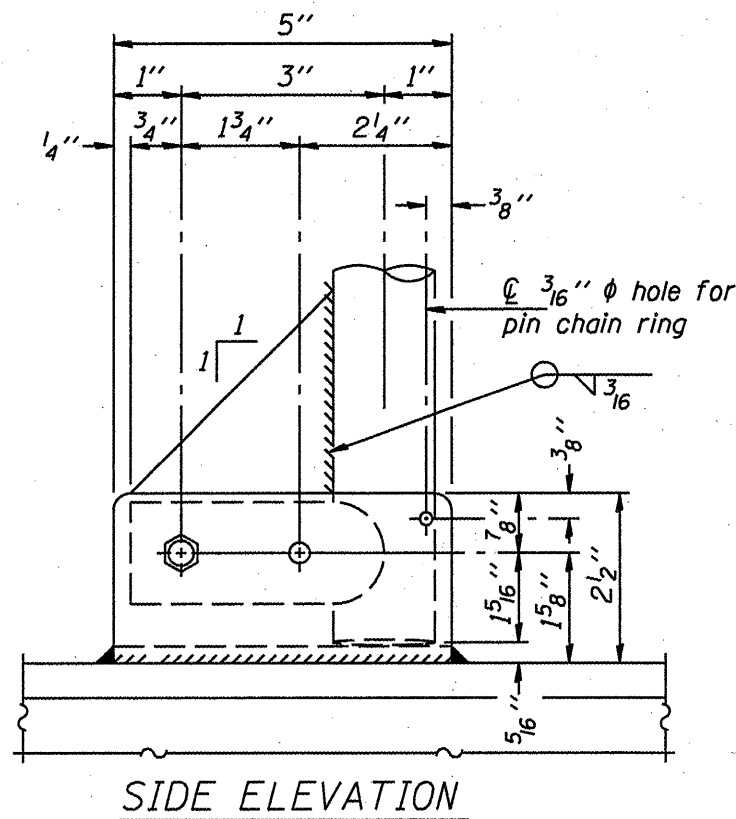
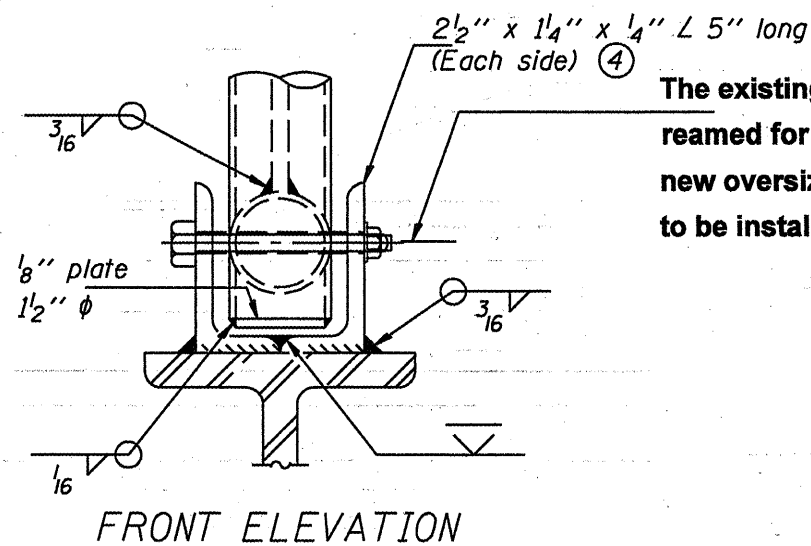


STATE OF ILLINOIS  
DEPARTMENT OF TRANSPORTATION

Various Routes  
D1 OVD SIN STR REP & REPO9-22  
Various Counties  
Sheet 32 of 33  
Contract Number 46033



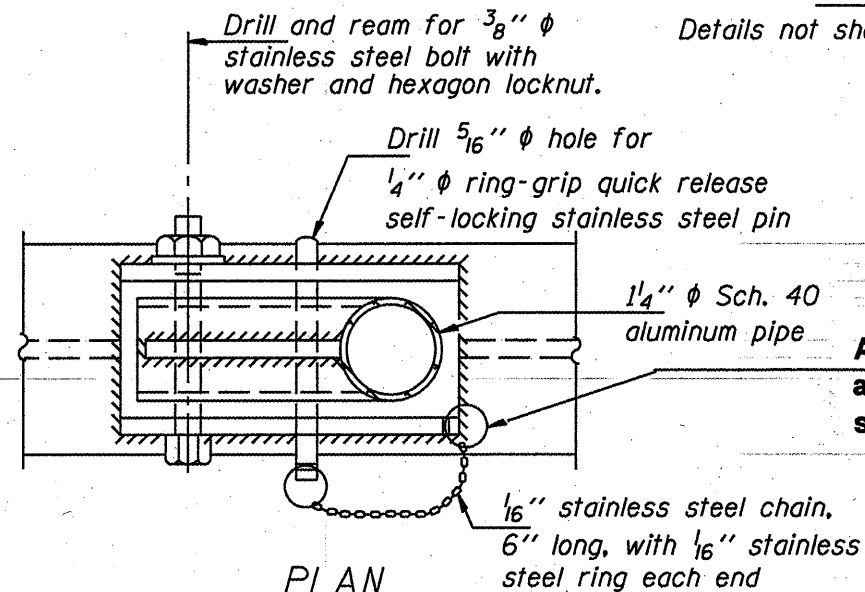
SIDE ELEVATION



FRONT ELEVATION

The existing locking pin hole to be reamed for proper alignment and a new oversized stainless steel pin to be installed.

Details not shown same as "ELEVATION" at right.



PLAN  
DETAIL E HANDRAIL HINGE

PLAN  
DETAIL E HANDRAIL HINGE

OVERHEAD SIGN STRUCTURES  
HANDRAIL HINGE REPAIR DETAIL