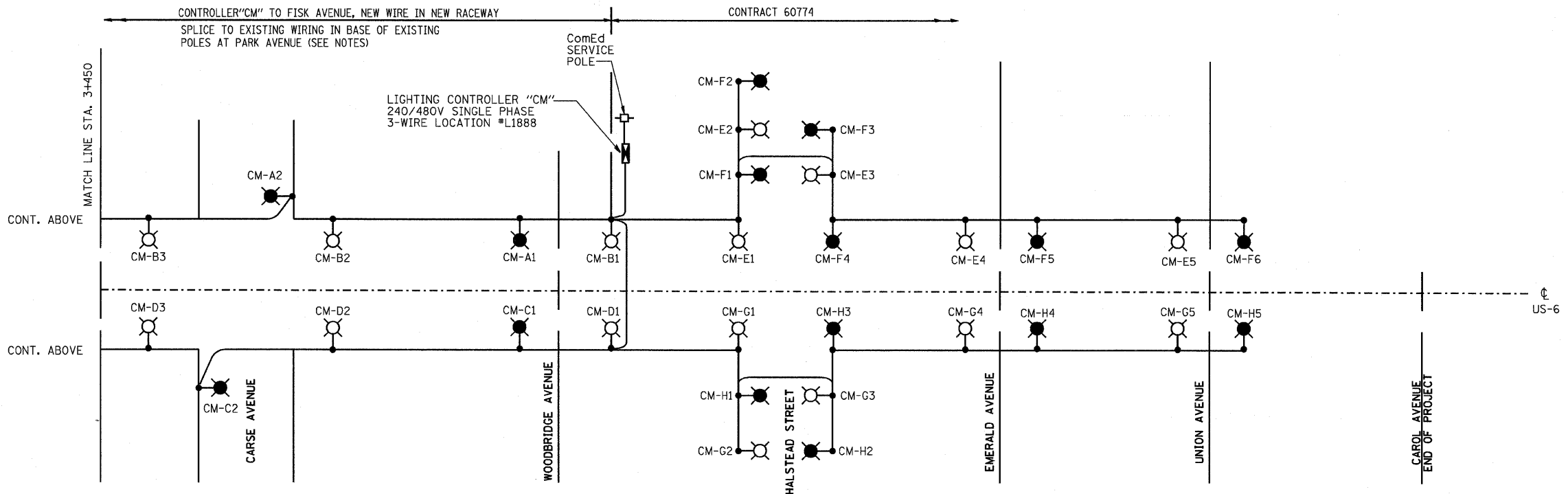
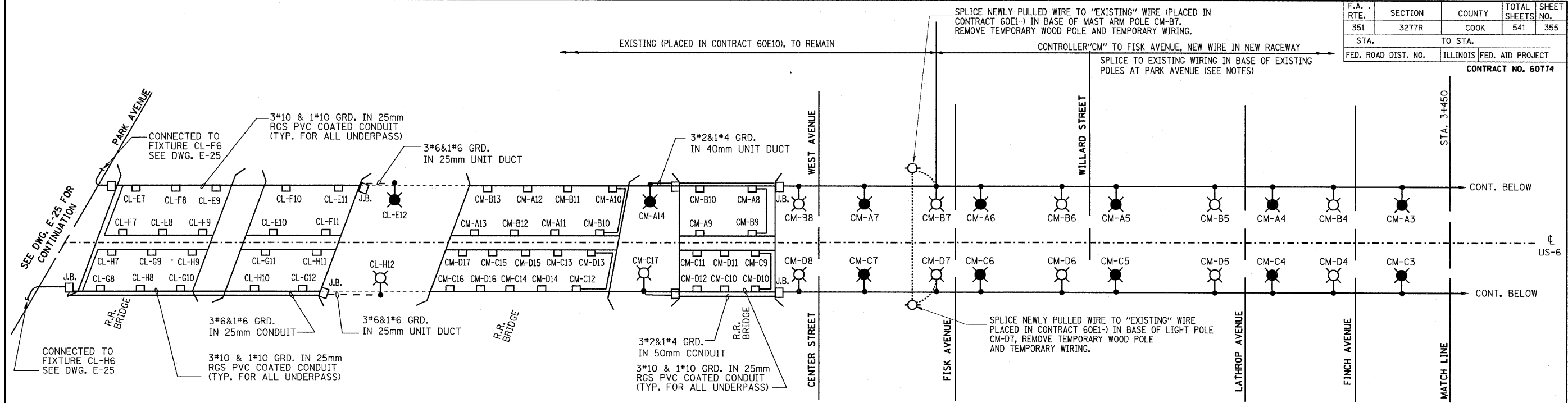
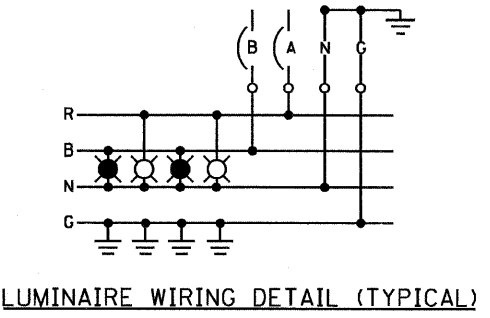


F.A. RTE.	SECTION	COUNTY	TOTAL SHEETS NO.	SHEET NO.
351	3277R	COOK	541	355
STA. 3+450		TO STA.		
FED. ROAD DIST. NO.		ILLINOIS	FED. AID PROJECT	
		CONTRACT NO. 60774		



LOAD TABULATION FOR LIGHTING CONTROLLER "CM"

CIRCUIT	LAMP LOAD	TOTAL LOAD	AMPS
A (240V)	8 @ 310 W HPS	3238	13.50
	6 @ 70 W HPS		
B (240V)	8 @ 310 W HPS	3238	13.50
	6 @ 70 W HPS		
C (240V)	8 @ 310 W HPS	3408	14.20
	6 @ 70 W HPS		
D (240V)	8 @ 310 W HPS	3408	14.20
	6 @ 70 W HPS		
E (240V)	5 @ 310 W HPS	1705	7.10
F (240V)	6 @ 310 W HPS	2046	8.53
G (240V)	5 @ 310 W HPS	1705	7.10
H (240V)	5 @ 310 W HPS	1705	7.10
(480V)	TOTAL VA	20453	42.61



- LEGEND:
- 310 HPS M-C 111 LUMINAIRE ON RED CABLE
 - 310 HPS M-C 111 LUMINAIRE ON BLACK CABLE
 - PROPOSED LIGHTING CONTROLLER
 - ComEd SERVICE POLE
 - TEMPORARY WOOD POLE (TO BE REMOVED)

REVISIONS	
NAME	DATE

DRAWING No. E-26

ILLINOIS DEPARTMENT OF TRANSPORTATION

US RTE 6 FROM I-294 TO IL RTE 1

SINGLE LINE DIAGRAM
PROPOSED LIGHTING
SHEET '2' OF '2'

SCALE AS NOTED

DATE 01/28/09

DRAWN BY S.S./W.S.

CHECKED BY C.K./H.S.