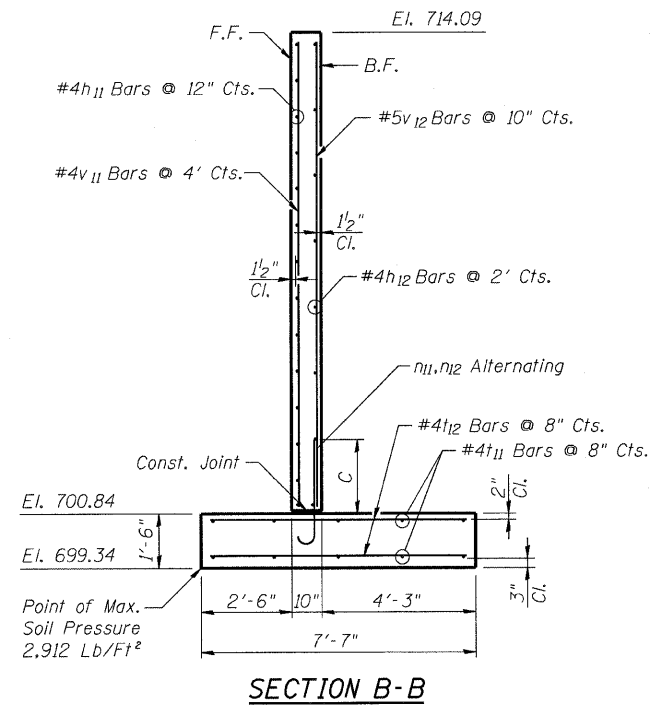


STATE OF ILLINOIS  
DEPARTMENT OF TRANSPORTATION

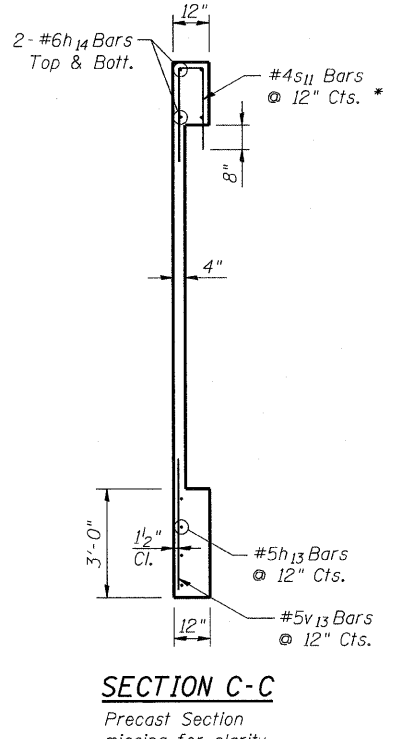
BILL OF MATERIAL\*\*

Bar	No.	Size	Length	Shape
h <sub>11</sub>	28	4	9'-3"	—
h <sub>12</sub>	16	4	9'-3"	—
h <sub>13</sub>	4	5	29'-0"	—
h <sub>14</sub>	4	6	29'-0"	—
h <sub>15</sub>	10	5	2'-0"	—
h <sub>16</sub>	20	5	1'-3"	—
n <sub>11</sub>	26	5	6'-1"	⌋
n <sub>12</sub>	22	6	4'-3"	⌋
s <sub>11</sub>	30	4	3'-6 <sup>3</sup> / <sub>16</sub> "	⌋
t <sub>11</sub>	48	4	9'-3"	—
t <sub>12</sub>	60	4	7'-4"	—
v <sub>11</sub>	8	4	13'-0"	—
v <sub>12</sub>	26	5	13'-0"	—
v <sub>13</sub>	26	5	3'-9"	—
v <sub>14</sub>	11	5	14'-6"	—

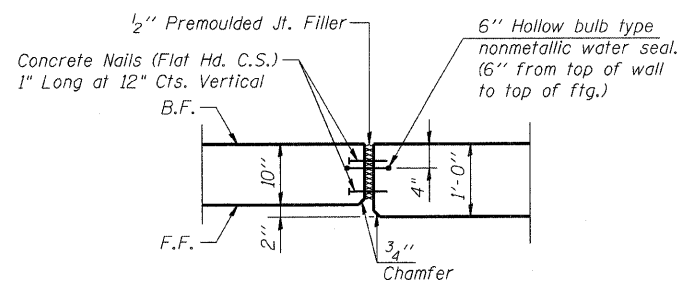
\*\* For information use only. The items in this Table are not to be paid separately, but are to be included in the cost for the pay item "Box Culvert End Sections."



SECTION B-B

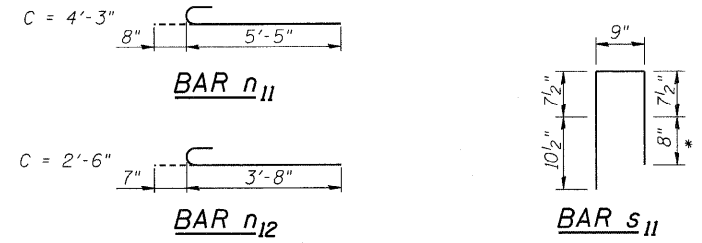


SECTION C-C



JOINT DETAIL  
Cost Included with "Box Culvert End Sections"

\* Drill and epoxy grout bars 8 inches into precast box section in accordance with section 584 of the Standard Specifications. Cost included with "Box Culvert End Sections."



BILL OF MATERIAL

ITEM	UNIT	TOTAL
Box Culvert End Sections	Each	1

NORTH BOX CULVERT  
END SECTION DETAILS II

<b>COLLINS ENGINEERS</b> DESIGNED: LDB    CHECKED: JMH DATE: 11/25/08    DRAWN: DR	SHEET NO. S6 OF S9 SHEETS	F.A.U. RTE.	SECTION	COUNTY	TOTAL SHEETS	SHEET NO.
		1321	31T-2	DuPAGE	59	38
		SN: 022-2005		CONTRACT NO. 60A90		
FED. ROAD DIST. NO. - ILLINOIS FED. AID PROJECT						