

STATE OF ILLINOIS  
DEPARTMENT OF TRANSPORTATION

**GENERAL NOTES:**

Reinforcement bars shall conform to the requirements of ASTM A 706 Gr 60. See Special Provisions.

All reinforcement bars shall be epoxy coated.

Layout of the slope protection system may be varied to suit ground conditions in the field as directed by the Engineer.

The Contractor shall make his own investigation to determine the existence, nature, and exact location of all utility lines and appurtenances within the limits of the rehabilitation. The cost of this work will be considered incidental to the contract.

Pay item and details for the Steel Plate Beam Guardrail is included in the Roadway Plans.

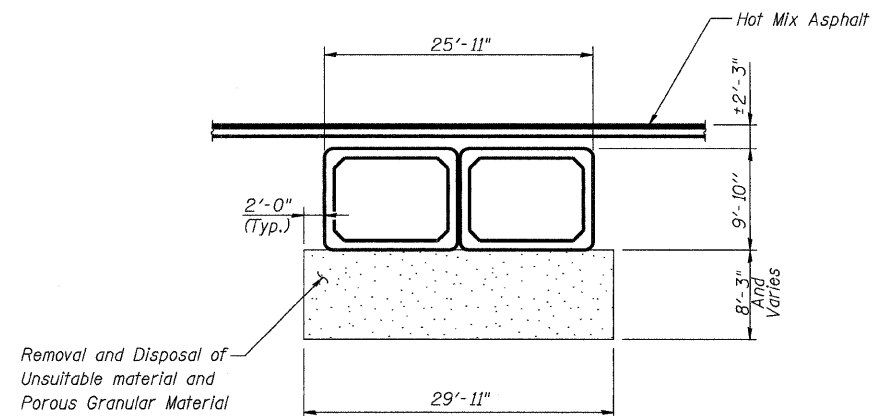
The Precast Concrete Box Culvert shall conform to all AASHTO M273 requirements.

**INDEX OF STRUCTURAL DRAWINGS**

- S1 General Plan
- S2 General Notes and Bill of Materials
- S3 Box Culvert Layout
- S4 Omitted (Sheet 29 of 55)
- S5 West End Section Details I
- S6 West End Section Details II
- S7 East End Section Details I
- S8 East End Section Details II
- S9 Box Culvert End Section Details
- S10 Steel Railing, Type TP-1
- S11 Boring Logs C-1 and C-2

**TOTAL BILL OF MATERIAL**

ITEM	UNIT	TOTAL
Removal of Existing Structures	Each	1
Steel Railing, Type TP-1	Foot	72.7
Name Plates	Each	2
Precast Concrete Box Culvert 11' X 8'	Foot	105
Box Culvert End Sections	Each	2
Stone Riprap, Class A4	Sq. Yd.	121
Filter Fabric	Sq. Yd.	168
Removal and Disposal of Unsuitable Material	Cu. Yd.	744



**BACKFILL DETAILS**

**BACKFILL NOTES:**

Place porous granular material underneath the box culverts to the limits shown on the plans or as directed by the Engineer. The cost for this work shall be included in the cost for the pay item "Precast Concrete Box Culvert 11' X 8'". See Section 540 of the Standard Specifications. Removal and Disposal of Unsuitable Material shall be measured for payment in its original position and the volume computed in cubic yards. Horizontal dimensions will not extend beyond vertical planes 2 feet outside the edges of the culvert.

STATION 85+85.98  
BUILT BY  
STATE OF ILLINOIS  
FAU 2774 SEC. 0306T  
LOADING HS20-44  
STRUCTURE NO. 016-2848

**NAME PLATE**  
See Std. 515001

**GENERAL NOTES AND  
BILL OF MATERIALS**

4-13-09

<b>COLLINS ENGINEERS</b>	DESIGNED: LDB	CHECKED: JMH	SHEET NO. S2 OF S11 SHEETS	F.A.U. RTE. 2774	SECTION 0306T	COUNTY COOK	TOTAL SHEETS 55	SHEET NO. 27
	DATE: 3/27/09	DRAWN: DR		SN: 016-2848		CONTRACT NO. 60C07		
				FED. ROAD DIST. NO. _ ILLINOIS FED. AID PROJECT				