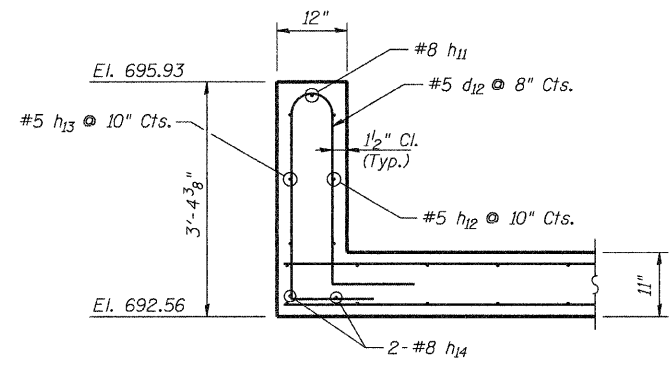
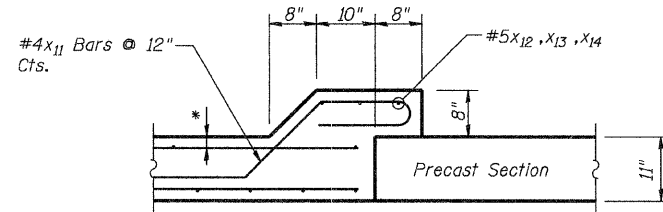


STATE OF ILLINOIS
DEPARTMENT OF TRANSPORTATION

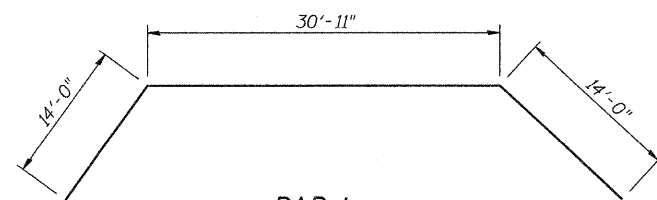


SECTION D-D

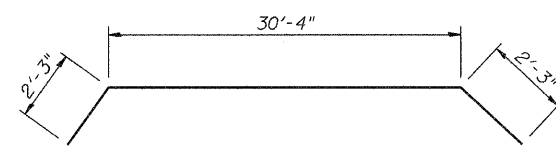


SECTION E-E

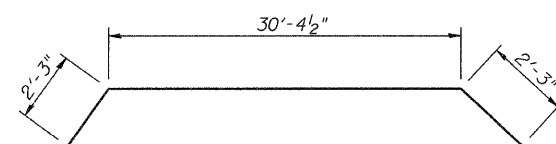
* 1/2" Cl. top & side walls,
and 2" Cl for Bottom slab.



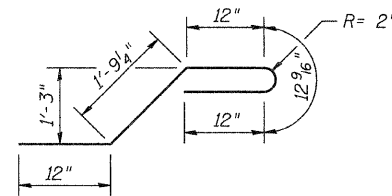
BAR h11



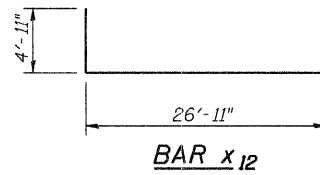
BAR h12



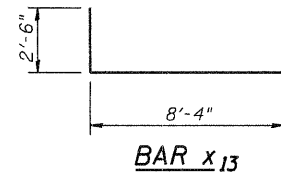
BAR h13



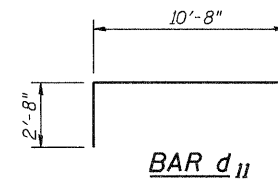
BAR x11



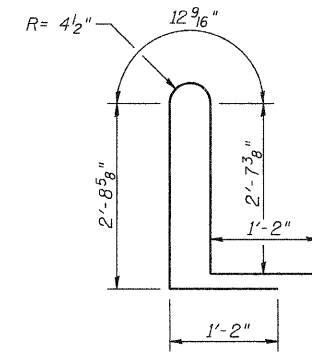
BAR x12



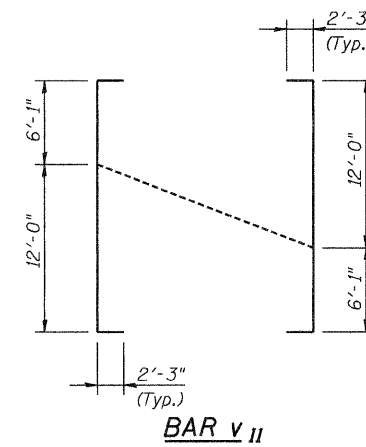
BAR x13



BAR d11



BAR d12



BAR v11

BILL OF MATERIAL **

Bar	No.	Size	Length	Shape
b11	12	5	48'-2"	—
d11	49	6	13'-4"	┌
d12	47	5	8'-8 9/16"	┌
h11	1	8	58'-11"	┌
h12	3	5	34'-10"	┌
h13	3	5	34'-10 1/2"	┌
h14	2	8	30'-4"	┌
h15	16	5	13'-1"	┌
v11	16	6	22'-7"	┌
v12	4	6	12'-0"	┌
x11	72	4	5'-9 3/16"	┌
x12	3	5	36'-9"	┌
x13	6	5	10'-10"	┌
x14	3	5	26'-11"	┌

** For Information use Only. The items in this Table are not to be paid separately, but are to be included in the cost for the pay item "Box Culvert End Sections."

WEST END SECTION
DETAILS II

COLLINS ENGINEERS DESIGNED: LDB CHECKED: JMH DATE: 3/27/09 DRAWN: DR	SHEET NO. S6 OF S11 SHEETS	F.A.U. RTE.	SECTION	COUNTY	TOTAL SHEETS	SHEET NO.
		2774	0306T	COOK	55	31
SN: 016-2848				CONTRACT NO. 60C07		
FED. ROAD DIST. NO. _ ILLINOIS FED. AID PROJECT						