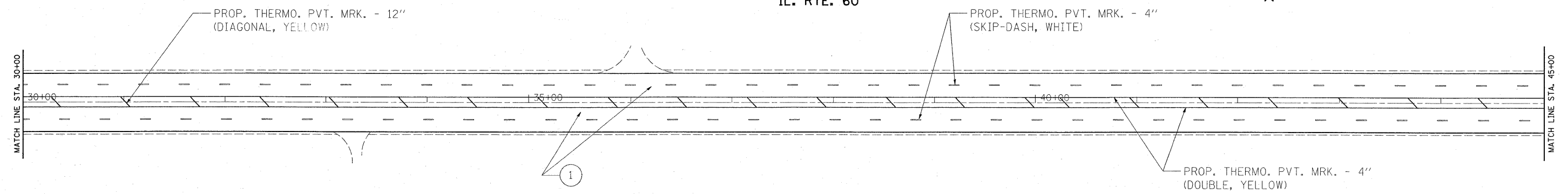
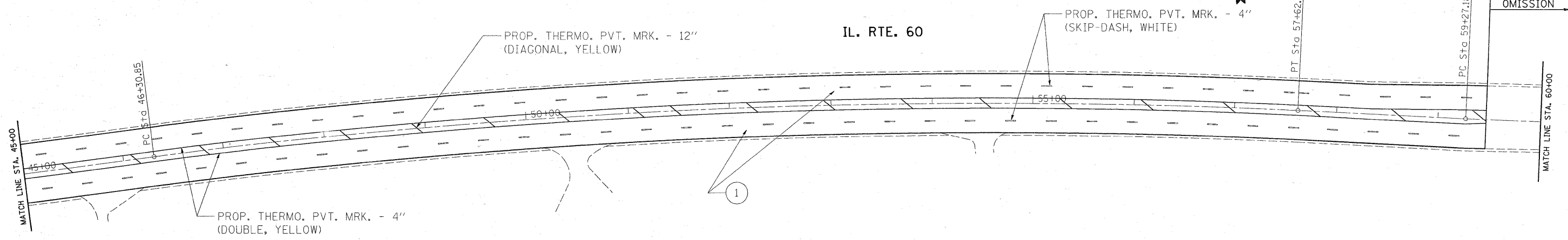


IL. RTE. 60



IL. RTE. 60



- ① PROP. HMA SURFACE REMOVAL, 2 1/2"
- PROP. POLY. HMA SURFACE COURSE, MIX "F", N90, 1 3/4"
- PROP. POLY. LEVELING BINDER (MACHINE METHOD), IL-4.75, N50, 3/4"

FILE NAME =
 c:\pwork\PWIDOT\ESTIMABLEK\dms90991\...rdwy.dgn

USER NAME = estimablek
 PLOT SCALE = 58.8139' / IN.
 PLOT DATE = 1/30/2009

DESIGNED -
 DRAWN -
 CHECKED -
 DATE -

REVISED -
 REVISED -
 REVISED -
 REVISED -

**STATE OF ILLINOIS
 DEPARTMENT OF TRANSPORTATION**

IL. RTE. 60 [E. OF IL. 21 (MILWAUKEE AVE.) TO W. OF I-94 (TRI-STATE TOLLWAY)]
ROADWAY AND PAVEMENT MARKING PLAN
 SCALE: 1"=50' SHEET NO. OF SHEETS STA. TO STA.

F.A.P. RTE.	SECTION	COUNTY	TOTAL SHEETS	SHEET NO.
335	119RS-12	LAKE	19	6
FED. ROAD DIST. NO. ILLINOIS FED. AID PROJECT			CONTRACT NO. 60D03	