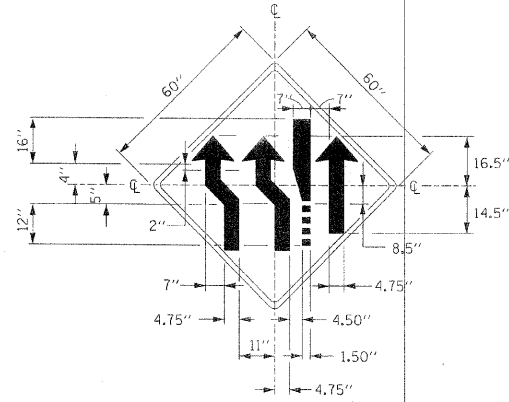


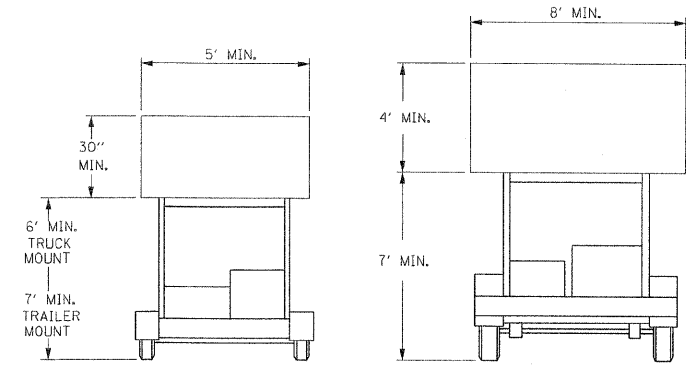
**SIGN TS-1CL**

COLOR: COLOR - BLACK (NON - REFLECTORIZED)  
 COLOR: BACKGROUND YELLOW (REFLECTORIZED) PERMANENT USAGE  
 \* FLUORESCENT ORANGE CONSTRUCTION USAGE



**SIGN TS-1CR**

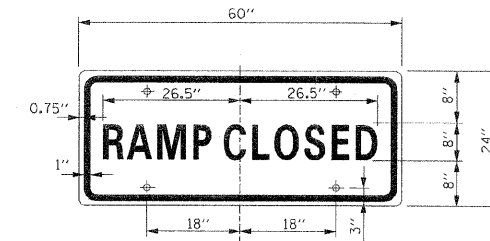
COLOR: COLOR - BLACK (NON - REFLECTORIZED)  
 COLOR: BACKGROUND YELLOW (REFLECTORIZED) PERMANENT USAGE  
 \* FLUORESCENT ORANGE CONSTRUCTION USAGE



**TYPE B TRUCK OR TRAILER MOUNTED**      **TYPE C TRAILER MOUNTED**

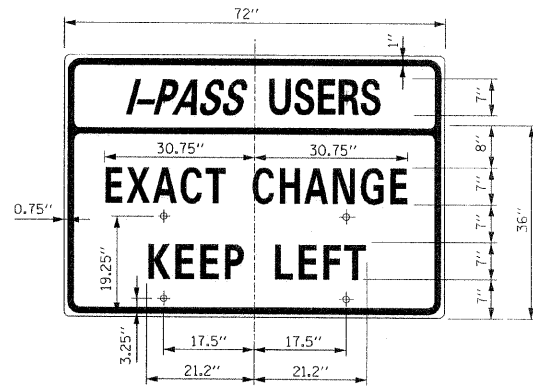
ARROW BOARDS SHALL BE IN ACCORDANCE WITH THE STANDARD SPECIFICATIONS. TYPE C UNITS ARE TO BE USED FOR ALL OPERATIONS 24 HOURS OR MORE IN DURATION AND TYPE B UNITS MAY BE USED FOR OPERATIONS LESS THAN 24 HOURS IN DURATION. ARROW BOARDS SHALL NOT BE USED TO DIRECT PASSING MOVES INTO LANES USED BY OPPOSING TRAFFIC.

**FLASHING ARROW BOARDS**  
**SIGN TS-8**



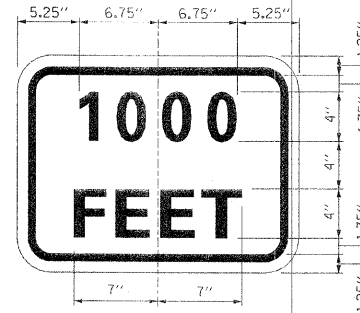
**SIGN TS-6**

COLOR: BACKGROUND - WHITE (REFLECTORIZED)  
 BORDER AND LETTERS - BLACK  
 SIZE: 60"x24"  
 LETTERING: 8" FEDERAL SERIES C  
 MOUNTING HOLES: 3/16" DIA., 4 HOLES SPACED AS SHOWN



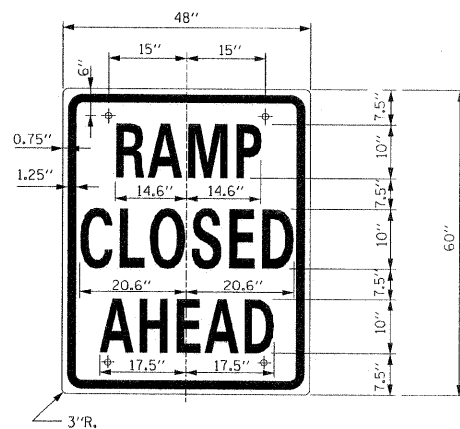
**SIGN TS-7**

COLOR: BACKGROUND - WHITE (REFLECTORIZED) (\*A)  
 BORDER AND LETTERS - BLACK  
 SIZE: 72"x36"  
 LETTERING: 7" FEDERAL SERIES C  
 MOUNTING HOLES: 3/16" DIA., 4 HOLES SPACED AS SHOWN



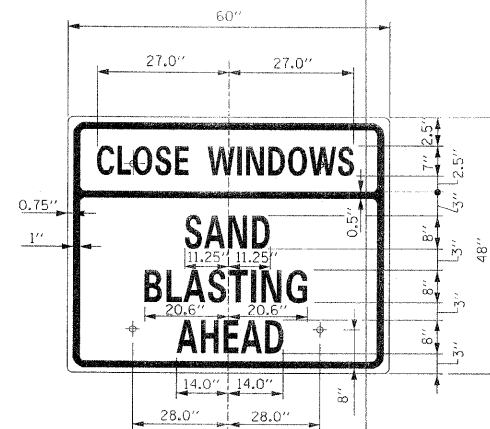
**SUPPLEMENTAL PLATE**

COLOR: BACKGROUND - \* FLUORESCENT ORANGE  
 BORDER AND LETTERS - BLACK  
 SIZE: 24"x18"  
 LETTERING: 4" FEDERAL SERIES D  
 MOUNTING HOLES: 3/16" DIA.



**SIGN TS-9**

COLOR: BACKGROUND - WHITE (REFLECTORIZED)  
 BORDER AND LETTERS - BLACK  
 SIZE: 48"x60"  
 LETTERING: 10" FEDERAL SERIES C  
 MOUNTING HOLES: 3/16" DIA., 4 HOLES SPACED AS SHOWN



**SIGN TS-10**

COLOR: BACKGROUND - \* FLUORESCENT ORANGE  
 BORDER AND LETTERS - BLACK  
 SIZE: 60"x48"  
 LETTERING: 8" FEDERAL SERIES C, 7" FEDERAL SERIES B  
 MOUNTING HOLES: 3/16" DIA., 4 HOLES SPACED AS SHOWN

**GENERAL NOTES:**

- ALL LETTERING IS DESIGNATED BY SIZE AND SERIES IN ACCORDANCE WITH THE LATEST EDITION OF "STANDARD ALPHABETS FOR HIGHWAY SIGNS AND PAVEMENT MARKINGS" AS PUBLISHED BY THE U.S. DEPARTMENT OF TRANSPORTATION. LETTERING SPACING SHALL BE IN ACCORDANCE WITH THE GUIDE EXCEPT WHERE NOTED.
  - SYMBOLS AND ARROWS SHALL CONFORM TO THE DETAILS SHOWN IN THE LATEST EDITION OF "STANDARD HIGHWAY SIGNS" AS PUBLISHED BY THE U.S. DEPARTMENT OF TRANSPORTATION.
  - SEE THE CONTRACT REQUIREMENTS FOR ADDITIONAL NOTES AND SPECIFICATIONS.
- FLUORESCENT ORANGE REFLECTIVE SHEETING PER THE STANDARD SPECIFICATIONS.
  - (\*A) REFLECTIVE SHEETING PER THE STANDARD SPECIFICATIONS.

F.A.P. RTE.	SECTION	COUNTY	TOTAL SHEETS	SHEET NO.
341	N-4-C-1	KANE	32	28
CONTRACT 60D72				



DATE	REVISIONS

CONSTRUCTION SIGNS

STANDARD E1-00

APPROVED: *Jeff Daley*  
 DATE 1-1-2007