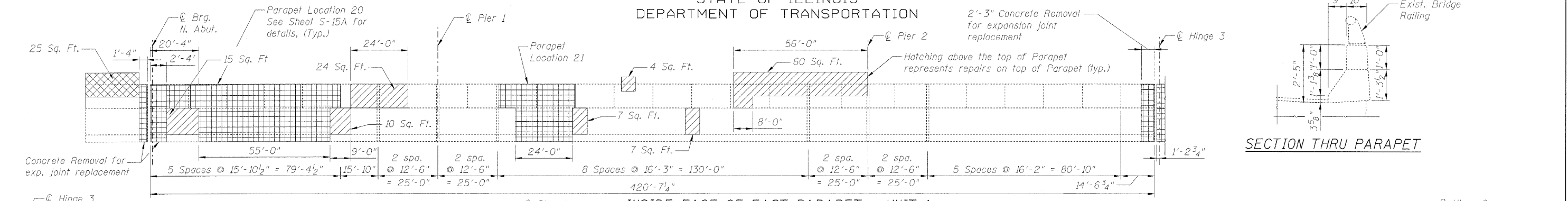
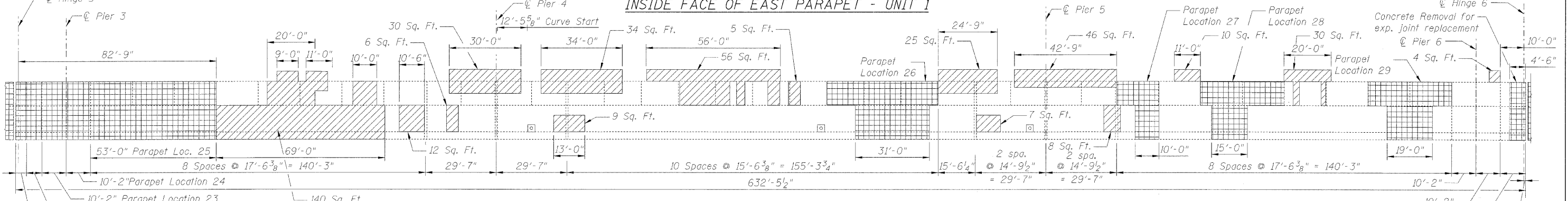
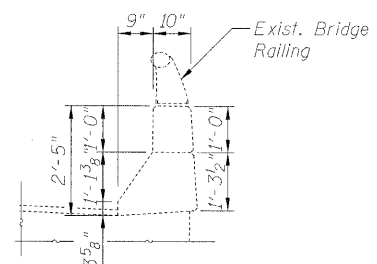


STATE OF ILLINOIS  
DEPARTMENT OF TRANSPORTATION

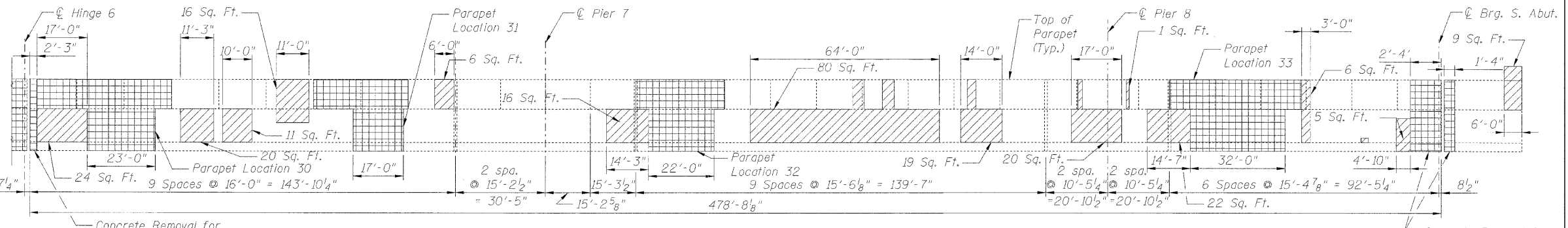


SECTION THRU PARAPET

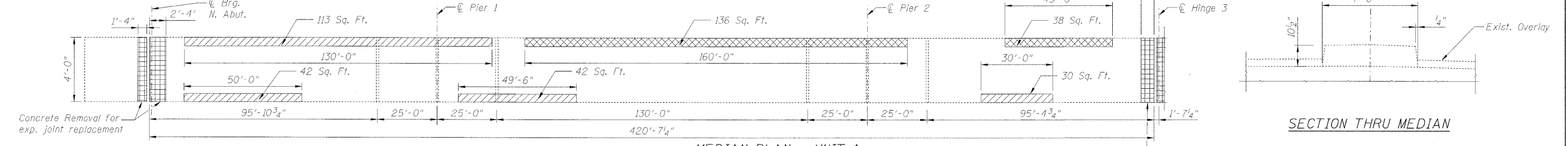


INSIDE FACE OF EAST PARAPET - UNIT 2

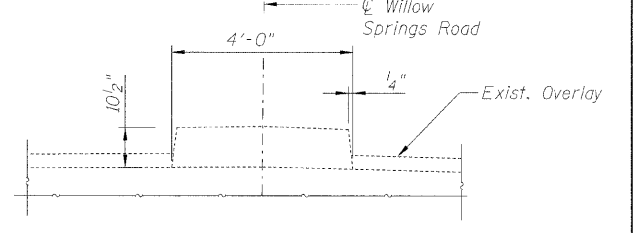
- NOTES:**
- Repairs shall include but not limited to the areas shown. The actual areas to be repaired will be determined by engineer at the time of construction.
  - Removal and installation of railing and related hardware and anchors, if necessary to perform concrete repairs or concrete removal, shall be included respectively with Structural Repair of Concrete and Concrete Superstructure. See Sheet S-15C for Existing Railing Details.
  - Contractor shall use extreme care in the concrete removal operation. Any spalling or rebar damage caused by this operation will be repaired by the Contractor and at no additional cost to the Department.
  - Quantities in the Bill of Material for Structural Concrete Repairs are 10% greater than areas shown to accommodate for degradation since last delamination survey.
  - For sidewalk face repairs see sheet S-10.
  - Vertical scale for parapets is ten times greater than horizontal scale to show defects.
  - For Parapet replacement details and Concrete Superstructure quantities see Sheet S-15A.



INSIDE FACE OF EAST PARAPET - UNIT 3



MEDIAN PLAN - UNIT 1 BILL OF MATERIAL



SECTION THRU MEDIAN

- LEGEND:**
- Structural Repair of Concrete (Depth Equal to or Less than 5 inches)
  - Structural Repair of Concrete (Depth Greater than 5 inches)
  - Concrete Removal & Concrete Superstructure
  - Electrical Box

ITEM	UNIT	QUANTITY
Structural Repair of Concrete (Depth Equal to or Less than 5 inches)	Sq. Ft.	1,135
Structural Repair of Concrete (Depth Greater than 5 inches)	Sq. Ft.	216
Protective Coat	Sq. Yd.	449
Concrete Removal	Cu. Yd.	47.2

Entire Sheet Revised 4/08/09 E.K.M.

DESIGNED B. Sauter
CHECKED E. Wroczek
DRAWN R. Danley
CHECKED B. Sauter

**Ciorba Group, Inc.**  
CONSULTING ENGINEERS  
5507 North Cumberland Avenue, Suite 402 Chicago, Illinois 60656  
Tel. 773.775.4009 Fax 773.775.4014 Email chicago@ciorba.com

**SUPERSTRUCTURE REPAIRS III**  
S.N. 016-0540

SHEET NO. S-9	F.A.U. RTE.	SECTION	COUNTY	TOTAL SHEETS	SHEET NO.
	2697	142 B-1-I	COOK	48	23
S-27 SHEETS			CONTRACT NO. 60D89		
FED. ROAD DIST. NO.		ILLINOIS FED. AID PROJECT			