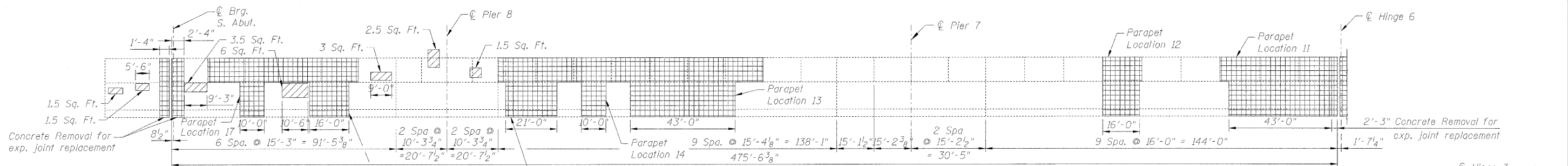
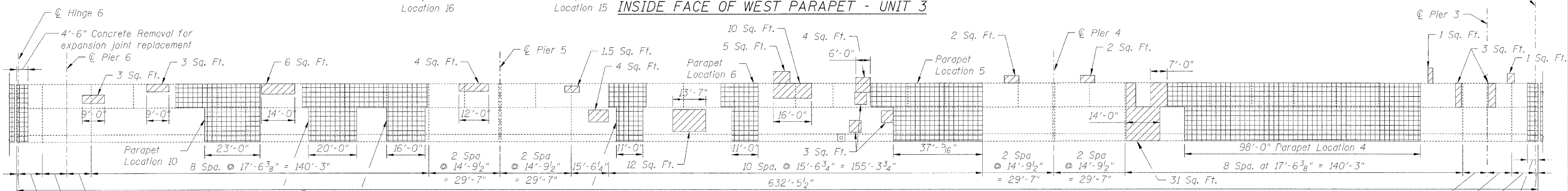


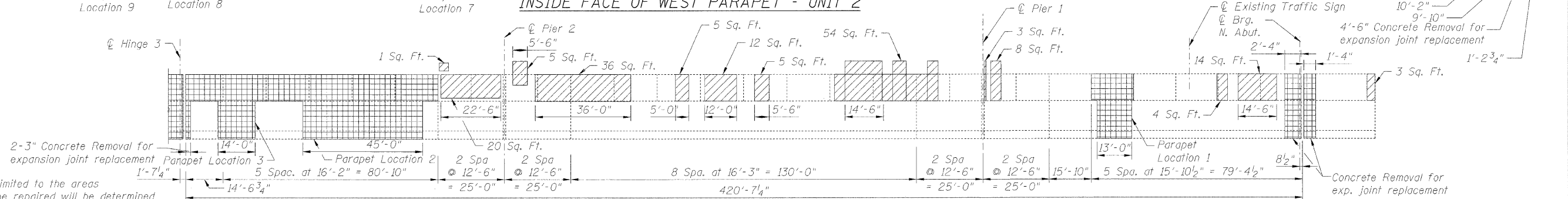
STATE OF ILLINOIS
DEPARTMENT OF TRANSPORTATION



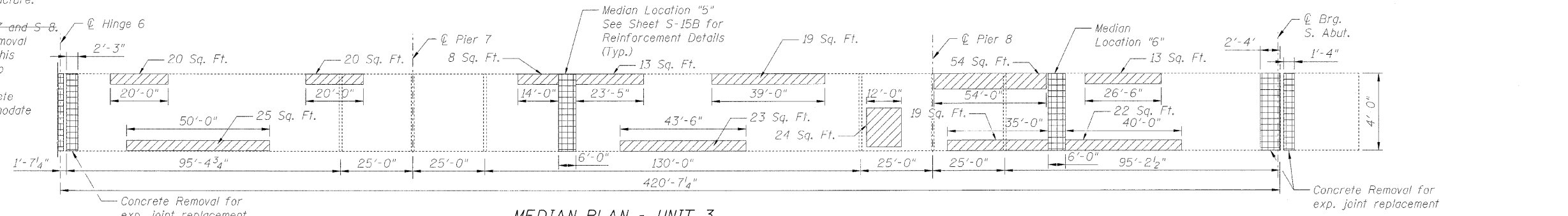
INSIDE FACE OF WEST PARAPET - UNIT 3



INSIDE FACE OF WEST PARAPET - UNIT 2



INSIDE FACE OF WEST PARAPET - UNIT 1



MEDIAN PLAN - UNIT 3
BILL OF MATERIAL

- LEGEND:**
- Structural Repair of Concrete (Depth Equal to or Less than 5 inches)
 - Concrete Removal and Concrete Superstructure

ITEM	UNIT	QUANTITY
Structural Repair of Concrete (Depth Equal to or Less than 5 inches)	Sq. Ft.	610
Protective Coat	Sq. Yd.	299
Concrete Removal	Cu. Yd.	61.6

SUPERSTRUCTURE REPAIRS V
S.N. 016-0540

SHEET NO. S-11	F.A.U. RTE.	SECTION	COUNTY	TOTAL SHEETS	SHEET NO.
	2697	142 B-1-I	COOK	48	25
S-27 SHEETS			CONTRACT NO. 60D89		
FED. ROAD DIST. NO.		ILLINOIS FED. AID PROJECT			

1 Entire Sheet Revised 4/08/09 E.K.M.

- NOTES:**
- Repairs shall include but not limited to the areas shown. The actual areas to be repaired will be determined by engineer - at the time of construction.
 - Removal and reinstallation of railing and related hardware and anchors, if necessary to perform concrete repairs or concrete removal, shall be included respectively with Structural Repair of Concrete and Concrete Superstructure. See Sheet S-15C for Existing Railing Details.
 - Quantities for Concrete Removal shown on sheets S-7 and S-8.
 - Contractor shall use extreme care in the concrete removal operation. Any spalling or rebar damage caused by this operation will be repaired by the Contractor and at no additional cost to the Department.
 - Quantities in the Bill of Material for Structural Concrete Repairs are 10% greater than areas shown to accommodate for degradation since last delamination survey.
 - Vertical scale for parapets is ten times greater than horizontal scale to show defects.
 - For Parapet replacement details and Concrete Superstructure quantities see Sheet S-15A.

DESIGNED	B. Sauter
CHECKED	E. Mroczek
DRAWN	R. Danley
CHECKED	B. Sauter

Ciorba Group, Inc.
CONSULTING ENGINEERS
5507 North Cumberland Avenue, Suite 402 Chicago, Illinois 60656
Tel. 773.775.4009 Fax 773.775.4014 Email chicago@ciorba.com

4/8/2009 rdanley mt:\pro\3329\3329_30\design\structural\concrete_repairs\3329_30_11\Deck_Repairs5-REV 1.sht