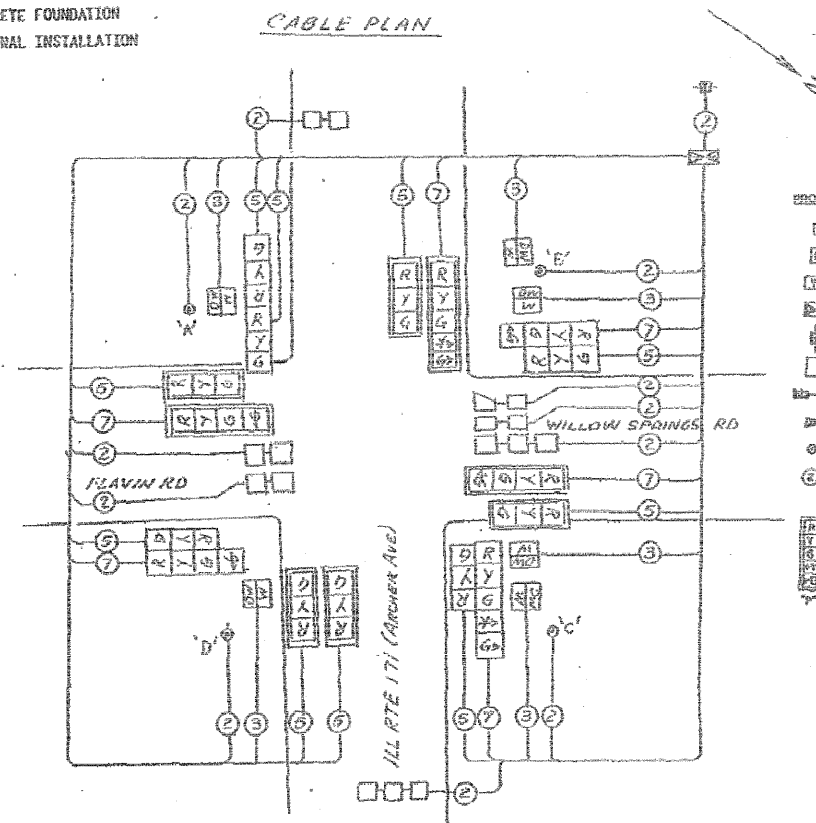


QUANTITY		SCHEDULE OF QUANTITIES		ITEM		UNIT		DESCRIPTION		
12	SQ. FT.	12	SQ. FT.	7	EACH	629	LN. FT.	INDUCTION LOOP DETECTOR AMPLIFIER	4	EACH
57.5	SQ. FT.	5	EACH	4	EACH	441	LN. FT.	DETECTOR LOOP, TYPE I	8	EACH
5	EACH	2	EACH	14	LN. FT.	81	LN. FT.	PEDESTRIAN PUSHBUTTON	1	EACH
2	EACH	1	EACH	441	LN. FT.	81	LN. FT.	GALVANIZED STEEL CONDUIT IN TRENCH 1-1/2"		
1	EACH	2	EACH	441	LN. FT.	17	LN. FT.	GALVANIZED STEEL CONDUIT IN TRENCH 2"		
1	EACH	1	EACH	81	LN. FT.	14	LN. FT.	GALVANIZED STEEL CONDUIT IN TRENCH 2-1/2"		
1	EACH	1	EACH	17	LN. FT.	14	LN. FT.	GALVANIZED STEEL CONDUIT IN TRENCH 3"		
1	EACH	1	EACH	14	LN. FT.	10	LN. FT.	GALVANIZED STEEL CONDUIT IN TRENCH 3-1/2"		
1	EACH	1	EACH	10	LN. FT.	76	LN. FT.	GALVANIZED STEEL CONDUIT IN TRENCH 4"		
1	EACH	1	EACH	76	LN. FT.	96	LN. FT.	GALVANIZED STEEL CONDUIT, PUSHED 2"		
1	EACH	1	EACH	96	LN. FT.	126	LN. FT.	GALVANIZED STEEL CONDUIT, PUSHED 3"		
1	EACH	2	EACH	126	LN. FT.	121	LN. FT.	GALVANIZED STEEL CONDUIT, PUSHED 3-1/2"		
1	EACH	1	EACH	121	LN. FT.	15	LN. FT.	UNIT DUCT, WITHOUT CABLE IN TRENCH 1"		
1	EACH	1	EACH	15	LN. FT.	650	LN. FT.	ELECTRIC CABLE IN CONDUIT NO. 6 2/C		
1	EACH	2	EACH	650	LN. FT.	741	LN. FT.	ELECTRIC CABLE IN CONDUIT NO. 14 2/C		
1	EACH	2	EACH	741	LN. FT.	1615	LN. FT.	ELECTRIC CABLE IN CONDUIT NO. 14 3/C		
1	EACH	2	EACH	1615	LN. FT.	775	LN. FT.	ELECTRIC CABLE IN CONDUIT NO. 14 6/C		
1	EACH	2	EACH	775	LN. FT.	1159	LN. FT.	ELECTRIC CABLE IN CONDUIT NO. 14 7/C		
1	EACH	2	EACH	1159	LN. FT.	1	EACH	ELECTRIC CABLE IN CONDUIT NO. 14 2/C TWISTED, SHZELDED		
1	EACH	1	EACH	1	EACH	1	EACH	CONCRETE FOUNDATION, TYPE A		
1	EACH	1	EACH	1	EACH	12	LN. FT.	CONCRETE FOUNDATION, TYPE B		
1	EACH	1	EACH	12	LN. FT.	3.6	LN. FT.	CONCRETE FOUNDATION, TYPE C		
1	EACH	1	EACH	3.6	LN. FT.	20	LN. FT.	CONCRETE FOUNDATION, TYPE D 24-INCH DIAMETER		
1	EACH	1	EACH	20	LN. FT.	30	LN. FT.	CONCRETE FOUNDATION, TYPE E 30-INCH DIAMETER		
1	EACH	1	EACH	30	LN. FT.	6	EACH	CONCRETE HANDHOLE		
1	EACH	1	EACH	6	EACH	1	EACH	CONCRETE HEAVY-DUTY HANDHOLE		
1	EACH	1	EACH	1	EACH	1	EACH	CONCRETE DOUBLE HANDHOLE		
1	EACH	1	EACH	1	EACH	610	LN. FT.	TRENCH AND BACKFILL		
1	EACH	1	EACH	610	LN. FT.	1	EACH	REMOVE EXISTING TRAFFIC SIGNAL EQUIPMENT		

REMOVE EXISTING HANDHOLE
 REMOVE EXISTING CONCRETE FOUNDATION
 TEMPORARY TRAFFIC SIGNAL INSTALLATION



PUSHBUTTON NOTES

PUSHBUTTON "A" IS TO PLACE A CALL FOR PHASE 2.
 PUSHBUTTON "B" IS TO PLACE A CALL FOR PHASES 3 AND 2 + 6.
 PUSHBUTTON "C" IS TO PLACE A CALL FOR PHASES 4 AND 2 + 6.
 PUSHBUTTON "D" IS TO PLACE A CALL FOR PHASE 4.

TRAFFIC SIGNAL SEQUENCE OF OPERATIONS

MOVEMENT	PHASE	INTERVAL	CHANGE TO	1	2	3A	3B	4A	4B	5	6	7A	7B	8	9	10A	10B	11A	11B
WILLOW SPRINGS RD. (WENTWORTH AVE.) NEAR RIGHT & FAR RIGHT SIGNALS	SB	G	Y	R	Y	R	R	R	R	R	R	R	R	R	R	R	R	R	R
WILLOW SPRINGS RD. (WENTWORTH AVE.) END WEST ARM & FAR LEFT SIGNALS	SB	G	Y	R	Y	R	R	R	R	R	R	R	R	R	R	R	R	R	R
FLAVIN RD. NEAR RIGHT & FAR RIGHT SIGNALS	NB	R	R	R	R	R	R	R	R	R	R	R	R	R	R	R	R	R	R
FLAVIN RD. END WEST ARM & FAR LEFT SIGNALS	NB	R	R	R	R	R	R	R	R	R	R	R	R	R	R	R	R	R	R
ILL. 171 SIGNALS	EB	R	R	R	R	R	R	R	R	R	R	R	R	R	R	R	R	R	R
ILL. 171 NEAR RIGHT & MID MAST ARM SIGNALS	WB	R	R	R	R	R	R	R	R	R	R	R	R	R	R	R	R	R	R
ILL. 171 END WEST ARM & FAR LEFT SIGNALS	WB	R	R	R	R	R	R	R	R	R	R	R	R	R	R	R	R	R	R
PEDESTRIAN CROSSING WILLOW SPRINGS RD. NORTH SIDE OF ILL. 171		DW	DW	DW	DW	DW	DW	DW	DW	DW	DW	DW	DW	DW	DW	DW	DW	DW	DW
PEDESTRIAN CROSSING ILL. 171 WEST SIDE OF WILLOW SPRINGS RD./FLAVIN RD.		DW	DW	DW	DW	DW	DW	DW	DW	DW	DW	DW	DW	DW	DW	DW	DW	DW	DW
PEDESTRIAN CROSSING ILL. 171 EAST SIDE OF WILLOW SPRINGS RD./FLAVIN RD.		DW	DW	DW	DW	DW	DW	DW	DW	DW	DW	DW	DW	DW	DW	DW	DW	DW	DW

* TO APPEAR ONLY UPON PUSHBUTTON ACTUATION
 ** FLASHING "DON'T WALK" IS TO TERMINATE AT THE COMPLETION OF THE PEDESTRIAN CLEARANCE INTERVAL