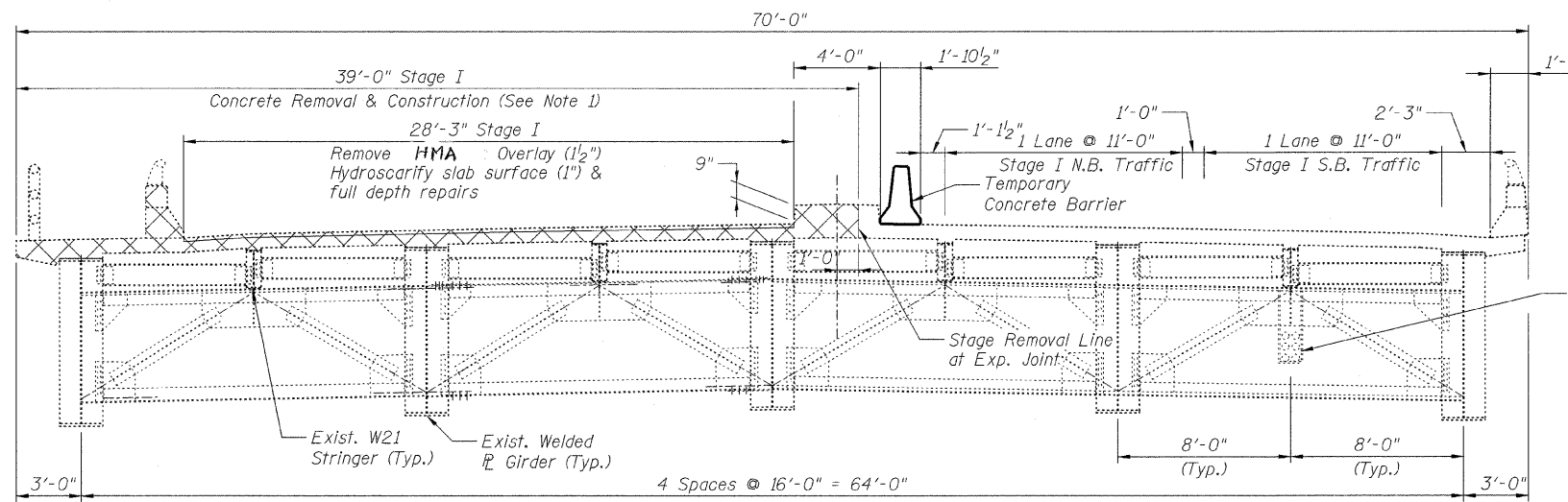


STATE OF ILLINOIS
DEPARTMENT OF TRANSPORTATION

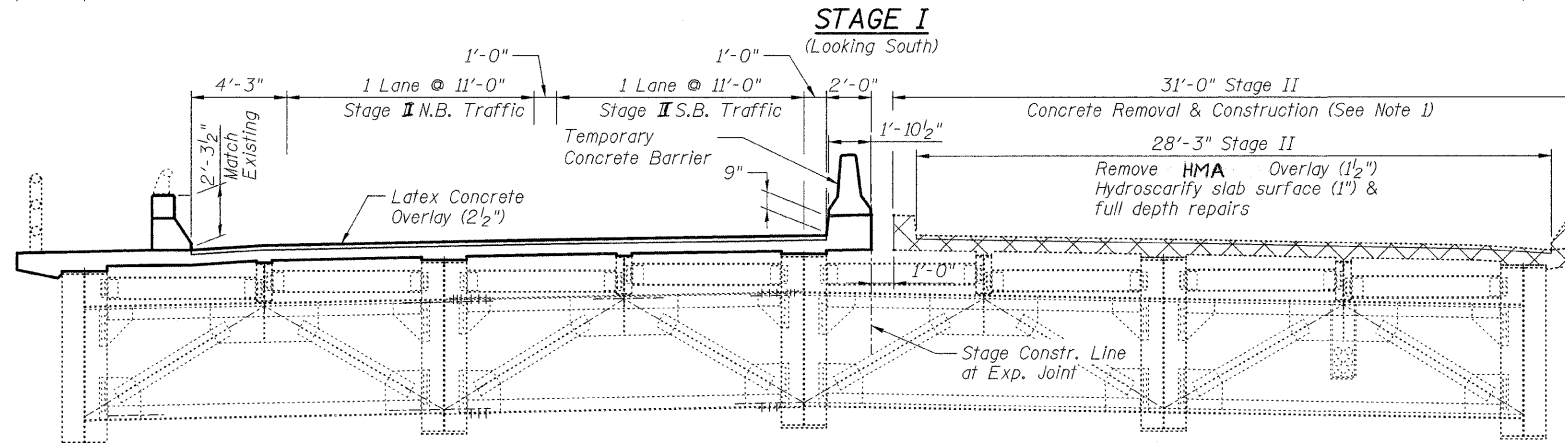


LEGEND



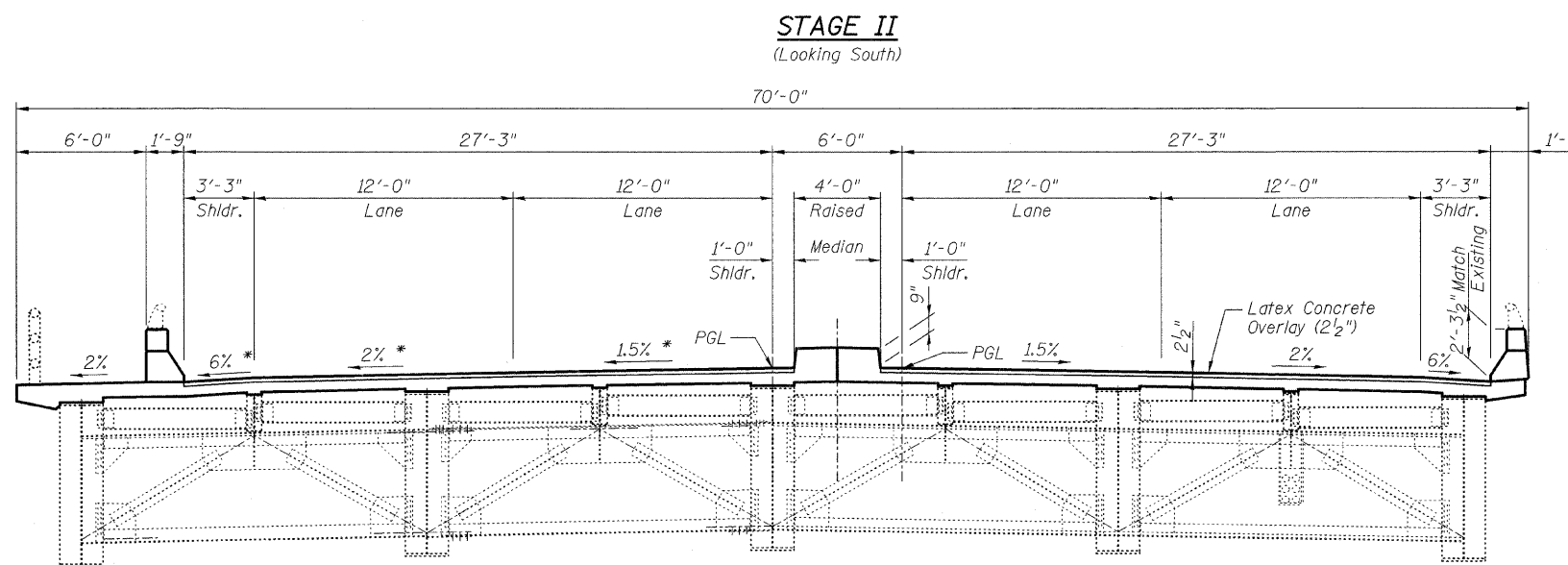
Concrete Removal for Exp. Joint Replacement. See Note 1

Existing utilities attached to stringer to remain



NOTES:

1. Concrete Deck and Parapet Removal as required for the expansion joint replacement in Spans 3 and 6 and at Abutments. See sheet S-13 through S-15.
2. See sheet S-6 for Temporary Concrete Barrier Details.
3. The Contractor is responsible for means and methods to ensure the complete stability of the structural members during construction.



FINAL CROSS SECTION
(Looking South)

* Cross slopes shown are valid between North Abutment and Sta. 125+00.00. Cross slopes vary beyond Sta. 125+00.00 (match exist.)

STAGE CONSTRUCTION DETAILS
S.N. 016-0540

DESIGNED	B. Sauter
CHECKED	E. Mroczek
DRAWN	R. Danley
CHECKED	B. Sauter



Giorba Group, Inc.
CONSULTING ENGINEERS
5507 North Cumberland Avenue, Suite 402 Chicago, Illinois 60656
Tel. 773.775.4009 Fax 773.775.4014 Email chicago@giorba.com

SHEET NO. S-5 S-27 SHEETS	F.A.U. RTE. 2697	SECTION 142 B-1-I	COUNTY COOK	TOTAL SHEETS 48	SHEET NO. 19
	CONTRACT NO. 60D89			FED. ROAD DIST. NO. ILLINOIS FED. AID PROJECT	

rdanley

2/4/2009

m:\pco\3329\3329_30\design\structural\load\sh\concrete_repairs\3329_30_05_Stage_Construction.sht