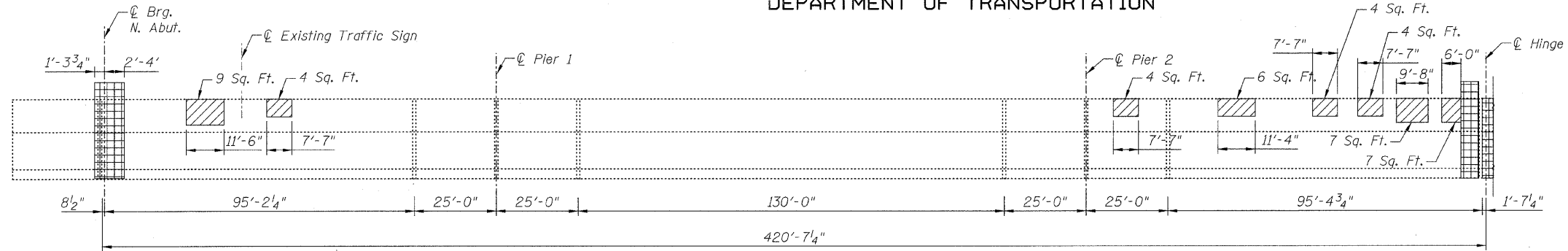
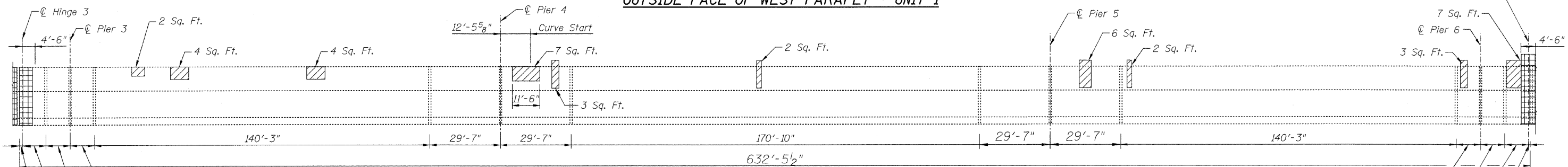


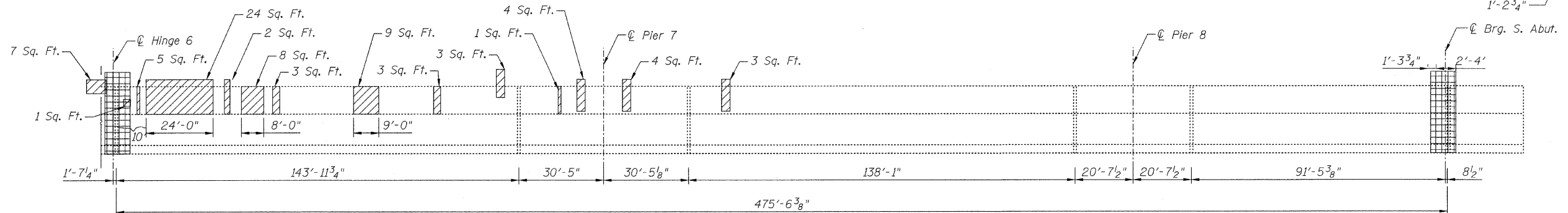
STATE OF ILLINOIS
DEPARTMENT OF TRANSPORTATION



OUTSIDE FACE OF WEST PARAPET - UNIT 1



OUTSIDE FACE OF WEST PARAPET - UNIT 2



OUTSIDE FACE OF WEST PARAPET - UNIT 3

NOTES:

- Repairs shall include but not limited to the areas shown. The actual areas to be repaired will be determined by engineer - at the time of construction.
- Removal and reattachment of railing, if necessary to perform concrete repairs or concrete removal, shall be included respectively with Concrete Repairs or Concrete Removal.
- Quantities for Concrete Removal shown on sheets S-7 and S-8.
- Contractor shall use extreme care in the concrete removal operation. Any spalling or rebar damage caused by this operation will be repaired by the Contractor and at no additional cost to the Department.
- Quantities in the Bill of Material for Structural Concrete Repairs are 10% greater than areas shown to accommodate for degradation since last delamination survey.
- Vertical scale for parapets is ten times greater than horizontal scale to show defects.

BILL OF MATERIAL

ITEM	UNIT	QUANTITY
Structural Repair of Concrete (Depth Equal to or Less than 5 inches)	Sq. Ft.	162
Protective Coat	Sq. Yd.	32

LEGEND:

- Structural Repair of Concrete (Depth Equal to or Less than 5 inches)
- Concrete Removal

**SUPERSTRUCTURE REPAIRS VI
S.N. 016-0540**

DESIGNED	B. Sauter
CHECKED	E. Mroczek
DRAWN	R. Danley
CHECKED	B. Sauter



Ciorba Group, Inc.
CONSULTING ENGINEERS
5507 North Cumberland Avenue, Suite 402 Chicago, Illinois 60656
Tel. 773.775.4009 Fax 773.775.4014 Email chicago@ciorba.com

SHEET NO. S-12 S-27 SHEETS	F.A.U. RTE. 2697	SECTION 142 B-1-I	COUNTY COOK	TOTAL SHEETS 48	SHEET NO. 26
	CONTRACT NO. 60D89			ILLINOIS FED. AID PROJECT	

2/4/2009 rdmlsley c:\proj\3329\3329_30\design\structural\lead\sh\concrete_repair\3329_30_12-Deck_Repair-shaht