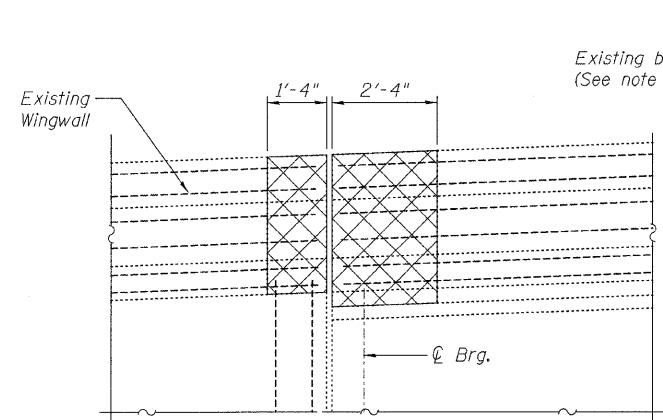
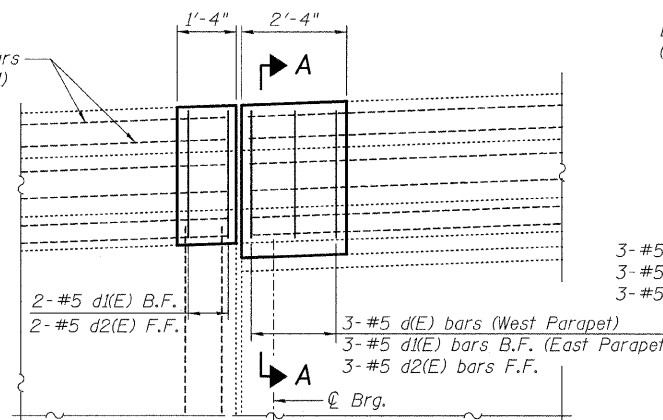


STATE OF ILLINOIS  
DEPARTMENT OF TRANSPORTATION



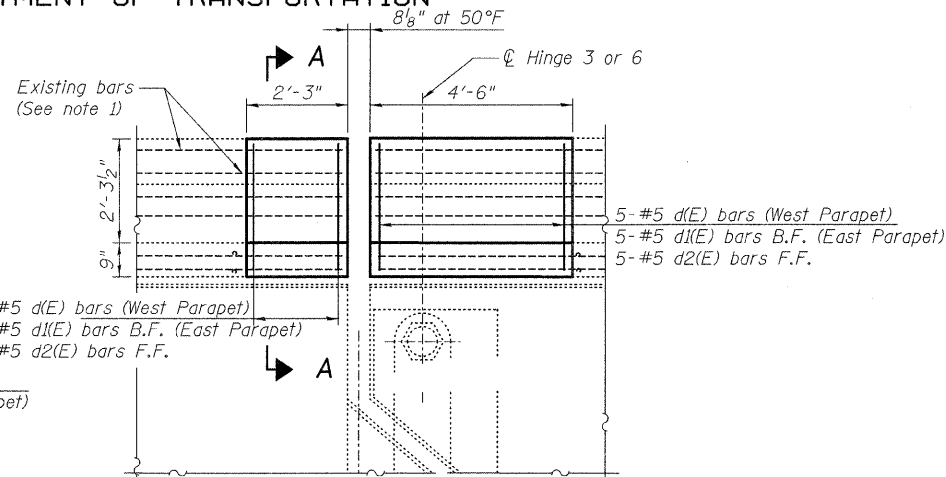
**PARAPET REMOVAL AT ABUTMENTS**

Southwest Wingwall shown  
(Three other locations similar)



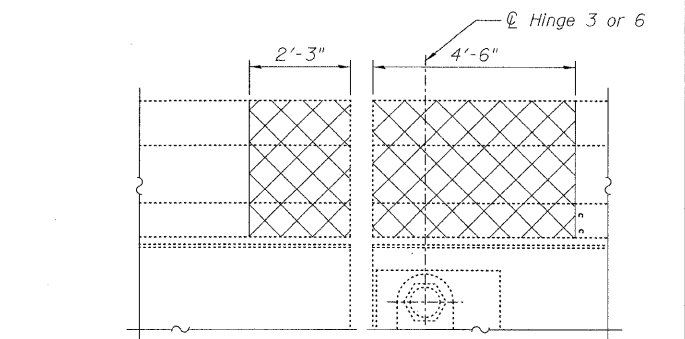
**PROPOSED PARAPET ELEVATION AT ABUTMENTS**

Southwest Wingwall shown  
(Three other locations similar)

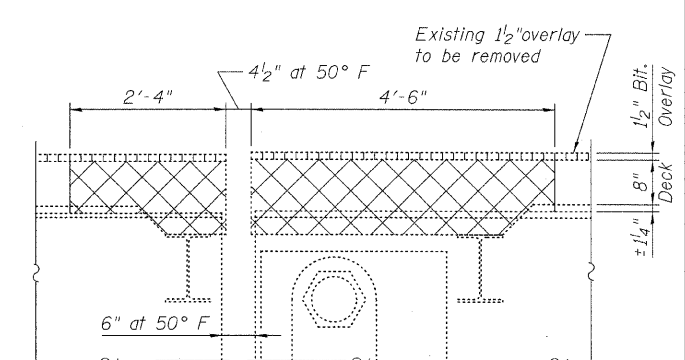


**PROPOSED PARAPET ELEVATION AT HINGES**

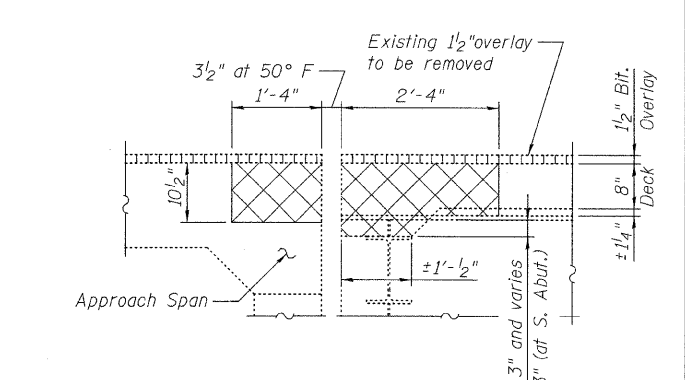
Hinge 3 Northside shown  
(Three other locations similar)



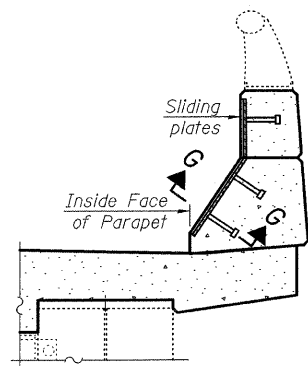
**PARAPET REMOVAL AT HINGES**



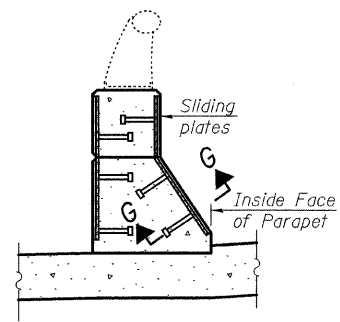
**CONCRETE REMOVAL AT HINGES**



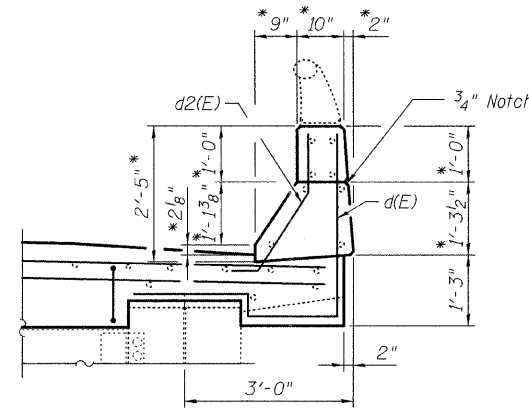
**CONCRETE REMOVAL AT ABUTMENTS**



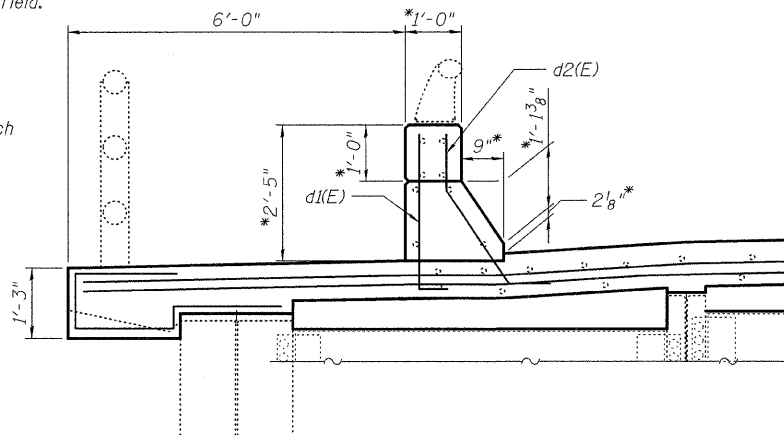
**SECTION THRU WEST PARAPET**



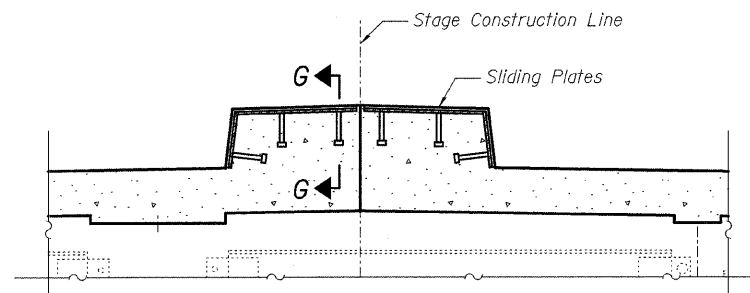
**SECTION THRU EAST PARAPET**



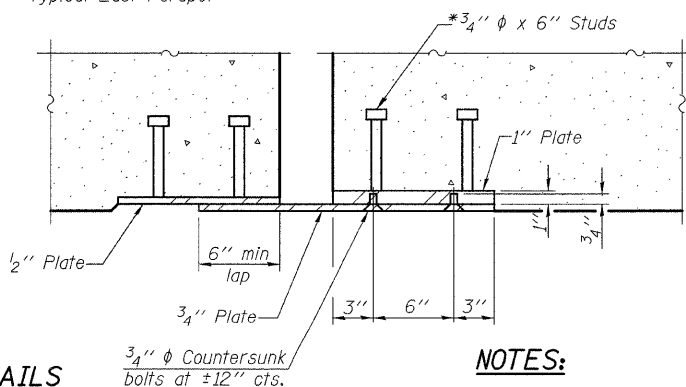
**SECTION A-A**  
Typical East Parapet



**SECTION A-A**  
Typical West Parapet

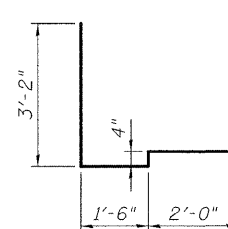


**SECTION THRU MEDIAN**

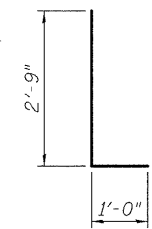


**STEEL PLATE DETAILS**  
Included in the Modular Expansion Joint, 9"

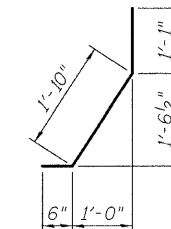
**SECTION G-G**



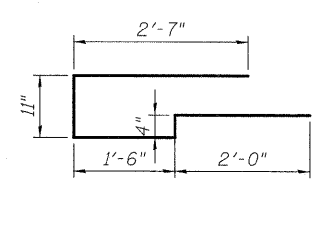
**BAR d(E)**



**BAR d1(E)**



**BAR d2(E)**



**BAR d3(E)**

**NOTES:**

- Existing vertical reinforcement protruding from the wingwall and horizontal reinforcement protruding from the existing parapet to remain in place. The existing reinforcement shall be sandblasted clean, straightened and incorporated into the new construction.
- Work this sheet with sheet S-13 and S-14.
- Quantities for concrete removal shown on sheet S-7 & S-8.
- Quantities for concrete superstructure and rebar shown on sheet S-13.

**LEGEND:**

XXXX Concrete Removal

DESIGNED	B. Sauter
CHECKED	E. Mroczek
DRAWN	R. Danley
CHECKED	B. Sauter



**Giorba Group, Inc.**  
CONSULTING ENGINEERS  
5507 North Cumberland Avenue, Suite 402 Chicago, Illinois 60656  
Tel. 773.775.4009 Fax 773.775.4014 Email chicago@giorba.com

**EXPANSION JOINT REPLACEMENT III**  
S.N. 016-0540

SHEET NO. S-15 S-27 SHEETS	F.A.U. RTE. 2697	SECTION 142 B-1-I	COUNTY COOK	TOTAL SHEETS 48	SHEET NO. 29
	CONTRACT NO. 60D89				
FED. ROAD DIST. NO.		ILLINOIS	FED. AID PROJECT		

m:\p\1329\3329\_30\design\structural\concrete\_repair\3329\_30\_15\_Exp\_Joint\_Replacement\_III.dwg rdanley 2/14/2009