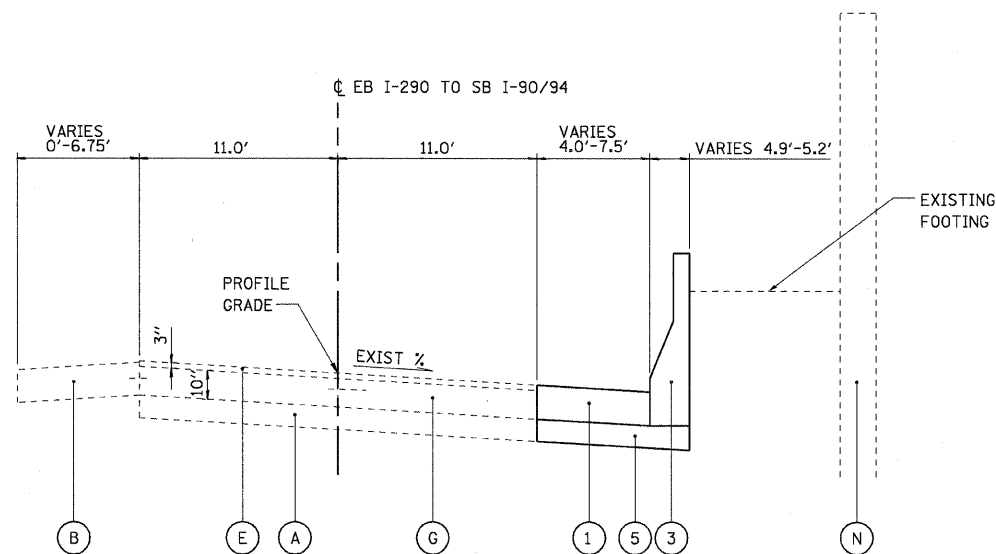
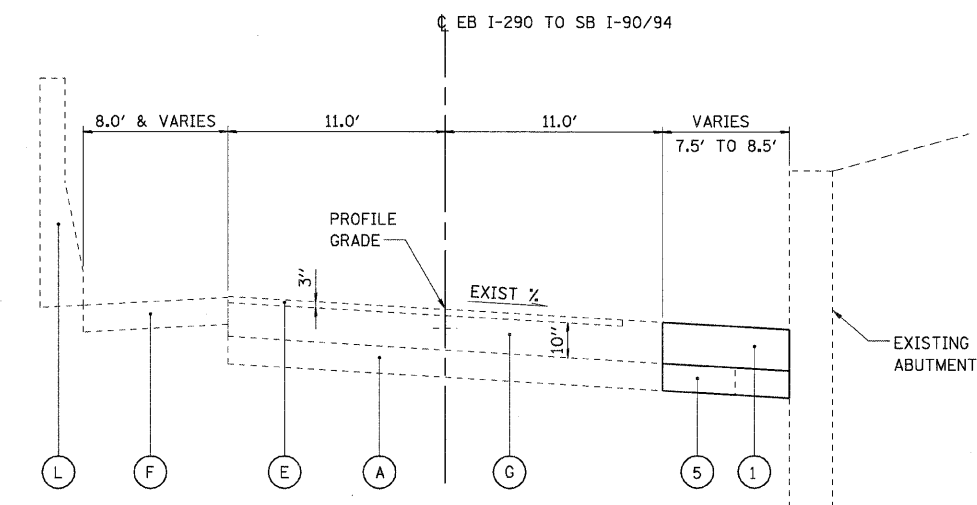


PROPOSED SECTION
I-290 TO I90/I94 SOUTHBOUND RAMP - STA 16+38 TO 20+71



PROPOSED SECTION
STA 20+71 TO 22+24



PROPOSED SECTION
I-290 TO I90/I94 SOUTHBOUND RAMP - STA 22+24 TO 23+00.81

EXISTING LEGEND:

- (A) EXISTING SUB-BASE GRANULAR MAT'L 6" OR STABILIZED SUB-BASE 4"
- (B) EXISTING HMA SHOULDERS
- (C) EXISTING PIPE UNDERDRAIN
- (D) EXISTING COMB CONC CURB AND GUTTER TYPE M-2.12
- (E) EXISTING HMA SURFACING
- (F) EXISTING P.C.C. SHOULDER
- (G) EXISTING P.C.C. BASE COURSE
- (H) EXISTING PGE WRAPPED IN FABRIC (VARIOUS LOCATIONS)
- (I) EXISTING HMA CONC SURFACE CSE, MIX D, CL I, TYPE 2 (1-3/4")
- (J) EXISTING HMA CONC SURFACE CSE, MIX E, CL I, TYPE 1 (1-3/4")
- (K) EXISTING HMA CONC SURFACE CSE, MIX B, TYPE 1 (2-1/4")
- (L) EXISTING CONCRETE BARRIER
- (M) EXISTING STEEL PLATE BEAM GUARD RAIL TO BE REMOVED
- (N) EXISTING RETAINING WALL

PROPOSED LEGEND:

- (1) PROPOSED HMA SHOULDER, 10"
- (2) PROPOSED COMB CONC CURB AND GUTTER, TYPE M-2.12
- (3) PROPOSED CONCRETE JERSEY BARRIER, DOUBLE FACE, 32" HEIGHT
- (4) PROPOSED AGGREGATE BASE COURSE, TYPE B, 4"
- (5) PROPOSED SUB-BASE GRANULAR MATERIAL, TY B, 6" & VARIES

FILE NAME =	USER NAME = 3890	DESIGNED - AAC	REVISED -
S:\11-CADD\01-sh\07.D160093-SHT-TYPICAL.dgn		DRAWN - ED	REVISED -
	PLOT SCALE = 5:1	CHECKED - AAC	REVISED -
	PLOT DATE = Thursday, December 11, 2008	DATE - 12/12/2008	REVISED -

STATE OF ILLINOIS
DEPARTMENT OF TRANSPORTATION

TYPICAL SECTIONS

SCALE: NONE SHEET NO. 3 OF 4 SHEETS STA. 10+00.00 TO STA. 25+67.92

F.A.I RTE. 290	SECTION 2007-057 T	COUNTY COOK	TOTAL SHEETS 60	SHEET NO. 7
CONTRACT NO. 60D93				
FED. ROAD DIST. NO. ILLINOIS FED. AID PROJECT				