

BENCHMARK:

BM #2 Chicago city standard BM 5' north of north line of Washington & 50' east of east line of Ashland. Elevation 595.34

STATE OF ILLINOIS
DEPARTMENT OF TRANSPORTATION

| ROUTE NO. | SECTION | COUNTY | TOTAL SHEETS | SHEET NO. | SHEET NO. |
|-----------|------------|--------|--------------|-----------|-----------|
| 290 | 2007-057 T | COOK | 60 | 41 | 4 SHEETS |

Contract #60D93

DESIGN SPECIFICATIONS

AASHTO 2002 Standard Specification for Highway Bridges.

DESIGN STRESSES

$f'_c = 3,500$ PSI
 $f_y = 60,000$ PSI
Maximum Allowable Soil Bearing Pressure = 1,500 PSF

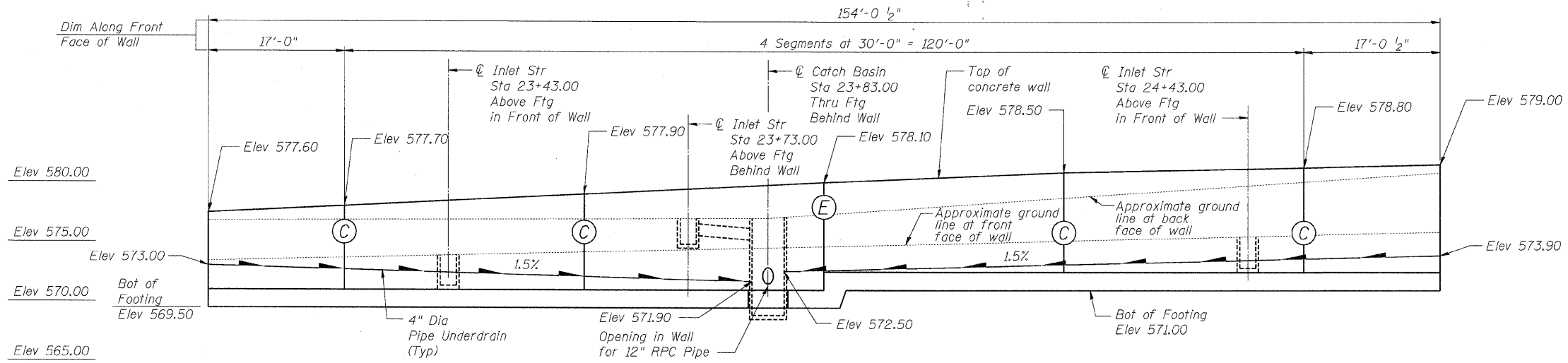
NOTES:

- (E) Expansion Joint in wall stem. (See Sheet 4 of 4 for detail)
- (C) Construction Joint in wall stem or footing. (See Detail on Sheet 4 of 4)

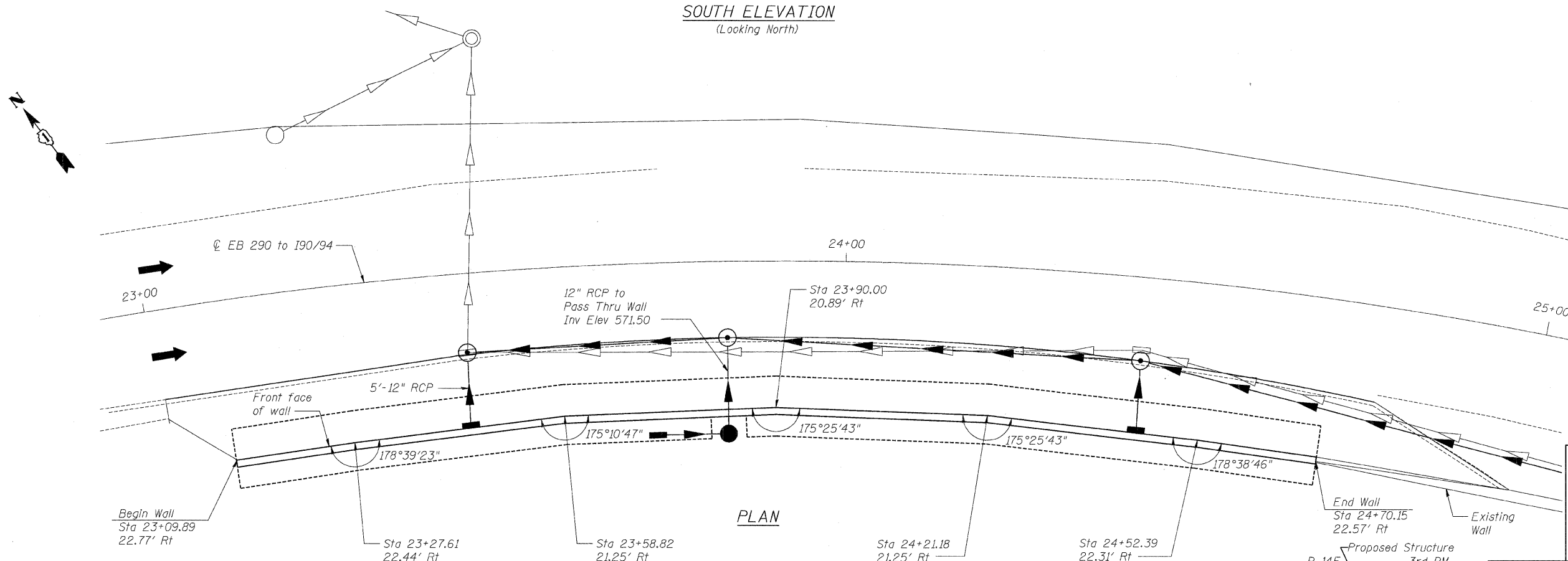


EXPIRATION DATE: 11-30-2008

DATE: _____

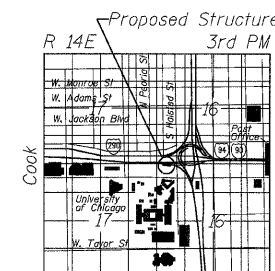


SOUTH ELEVATION
(Looking North)



PLAN

| | |
|----------|-----|
| DESIGNED | NDR |
| CHECKED | DSE |
| DRAWN | TWK |
| CHECKED | NDR |



LOCATION SKETCH

Stanley Consultants INC.
8501 West Higgins Road, Suite 730, Chicago, Illinois 60631-2801
www.stanleyconsultants.com
Illinois Firm Registration No.: 1184-001533

GENERAL PLAN & ELEVATION
I-94/I-290
FROM I-290 EB RAMP
TO DES PLAINES AVE
F.A.I. 94/290-SECT. (2007-057T)
COOK COUNTY
STATION 23+09.89