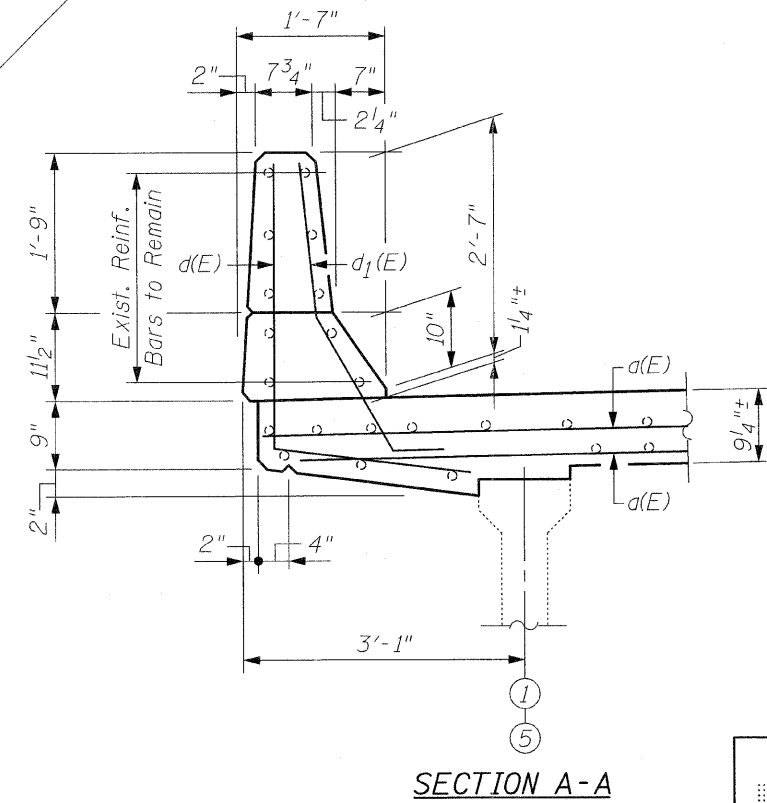
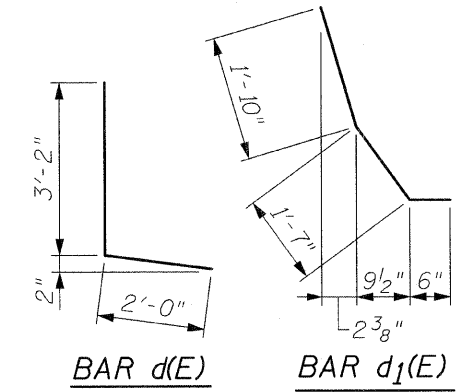


BILL OF MATERIAL

Bar	No.	Size	Length	Shape
d(E)	8	#7	29'-9"	—
a1(E)	4	#6	27'-9"	—
d(E)	10	#4	5'-2"	L
d1(E)	10	#6	3'-11"	L
Reinforcement Bars, Epoxy Coated		Pound	750	
Concrete Removal		Cu. Yd.	2.6	
Concrete Superstructure		Cu. Yd.	2.8	
Bar Splicers		Each	6	
Protective Coat		Sq. Yd.	1	

Quantity for Top & Inside Face of Reconstructed Parapets



PLAN AT WEST ABUTMENT
(Proposed)

LEGEND:
O.F. = Outside Face
I.F. = Inside Face

CR & A
CHRISTIAN-ROGE & ASSOCIATES, INC.
ENGINEERS / PLANNERS / SURVEYORS
211 W. WACKER DRIVE CHICAGO, IL. 60606
PHONE: (312)372-2023 FAX: (312)372-5274