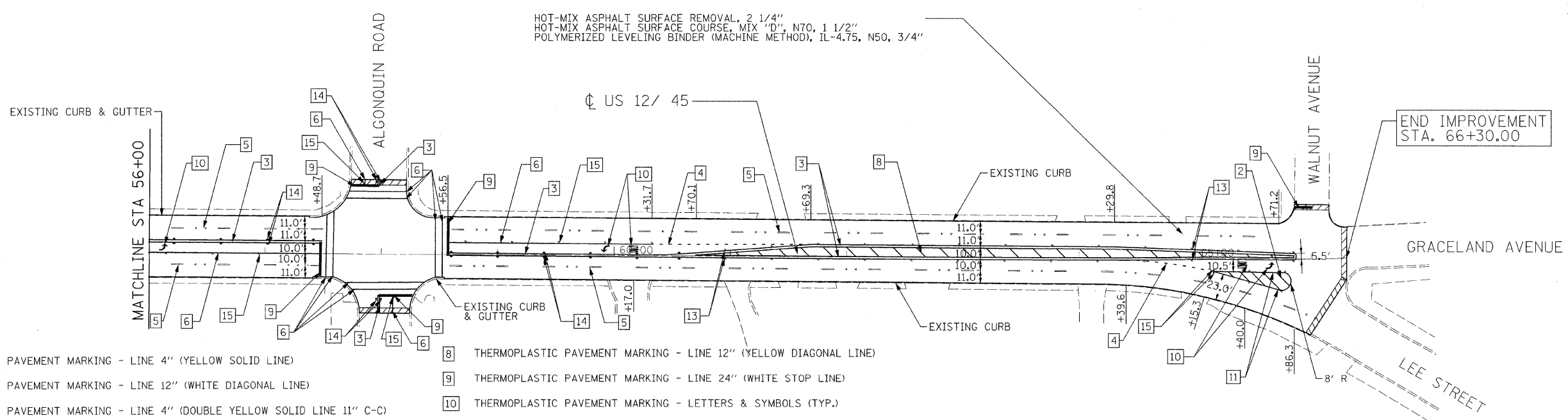
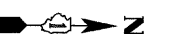


LEGEND:

- | | |
|--|---|
| 1 THERMOPLASTIC PAVEMENT MARKING - LINE 4" (YELLOW SOLID LINE) | 8 THERMOPLASTIC PAVEMENT MARKING - LINE 12" (YELLOW DIAGONAL LINE) |
| 2 THERMOPLASTIC PAVEMENT MARKING - LINE 12" (WHITE DIAGONAL LINE) | 9 THERMOPLASTIC PAVEMENT MARKING - LINE 24" (WHITE STOP LINE) |
| 3 THERMOPLASTIC PAVEMENT MARKING - LINE 4" (DOUBLE YELLOW SOLID LINE 11" C-C) | 10 THERMOPLASTIC PAVEMENT MARKING - LETTERS & SYMBOLS (TYP.) |
| 4 THERMOPLASTIC PAVEMENT MARKING - LINE 6" (WHITE LANE LINE - 2' DASH, 6' SKIP) | 11 THERMOPLASTIC PAVEMENT MARKING - LINE 8" (WHITE SOLID LINE) |
| 5 THERMOPLASTIC PAVEMENT MARKING - LINE 4" (WHITE LANE LINE - 10' DASH, 30' SKIP) WITH RAISED REFLECTIVE PAVEMENT MARKERS (2 ONE-WAY CRYSTAL MARKER) | 12 THERMOPLASTIC PAVEMENT MARKING - LINE 4" (YELLOW LANE LINE - 10' DASH, 30' SKIP) |
| 6 THERMOPLASTIC PAVEMENT MARKING - LINE 6" (WHITE SOLID LINE) | 13 RAISED REFLECTIVE PAVEMENT MARKERS (ONE-WAY AMBER MARKER) (40' C-C) |
| 7 THERMOPLASTIC PAVEMENT MARKING - LINE 12" (WHITE SOLID LINE) | 14 RAISED REFLECTIVE PAVEMENT MARKERS (TWO-WAY AMBER MARKER) (40' C-C) |
| | 15 RAISED REFLECTIVE PAVEMENT MARKERS (ONE-WAY CRYSTAL MARKER) (40' C-C) |

HOT-MIX ASPHALT SURFACE REMOVAL - BUTT JOINT TEMPORARY RAMP



LEGEND:

- | | |
|--|---|
| 1 THERMOPLASTIC PAVEMENT MARKING - LINE 4" (YELLOW SOLID LINE) | 8 THERMOPLASTIC PAVEMENT MARKING - LINE 12" (YELLOW DIAGONAL LINE) |
| 2 THERMOPLASTIC PAVEMENT MARKING - LINE 12" (WHITE DIAGONAL LINE) | 9 THERMOPLASTIC PAVEMENT MARKING - LINE 24" (WHITE STOP LINE) |
| 3 THERMOPLASTIC PAVEMENT MARKING - LINE 4" (DOUBLE YELLOW SOLID LINE 11" C-C) | 10 THERMOPLASTIC PAVEMENT MARKING - LETTERS & SYMBOLS (TYP.) |
| 4 THERMOPLASTIC PAVEMENT MARKING - LINE 6" (WHITE LANE LINE - 2' DASH, 6' SKIP) | 11 THERMOPLASTIC PAVEMENT MARKING - LINE 8" (WHITE SOLID LINE) |
| 5 THERMOPLASTIC PAVEMENT MARKING - LINE 4" (WHITE LANE LINE - 10' DASH, 30' SKIP) WITH RAISED REFLECTIVE PAVEMENT MARKERS (2 ONE-WAY CRYSTAL MARKER) | 12 THERMOPLASTIC PAVEMENT MARKING - LINE 4" (YELLOW LANE LINE - 10' DASH, 30' SKIP) |
| 6 THERMOPLASTIC PAVEMENT MARKING - LINE 6" (WHITE SOLID LINE) | 13 RAISED REFLECTIVE PAVEMENT MARKERS (ONE-WAY AMBER MARKER) (40' C-C) |
| 7 THERMOPLASTIC PAVEMENT MARKING - LINE 12" (WHITE SOLID LINE) | 14 RAISED REFLECTIVE PAVEMENT MARKERS (TWO-WAY AMBER MARKER) (40' C-C) |
| | 15 RAISED REFLECTIVE PAVEMENT MARKERS (ONE-WAY CRYSTAL MARKER) (40' C-C) |

HOT-MIX ASPHALT SURFACE REMOVAL - BUTT JOINT TEMPORARY RAMP

FILE NAME: m:\proj\3329\3329_45\design\proposedplan\3329_45-97-Fr-oppoasuf\lan83.dgn

Ciorba Group, Inc.
 CONSULTING ENGINEERS
 5507 North Cumberland Avenue, Suite 402
 Chicago, Illinois 60660
 Tel. 773.775.4009 Fax 773.775.4014

USER NAME: mready	DESIGNED: MWR	REVISED: -
PLOT SCALE: 50.0000' / 1"	DRAWN: MWR	REVISED: -
PLOT DATE: 2/4/2009	CHECKED: WBL	REVISED: -
	DATE: 2/4/2009	REVISED: -

**STATE OF ILLINOIS
 DEPARTMENT OF TRANSPORTATION**

**US 12/45
 PROSPECT AVENUE TO WALNUT AVENUE
 PROPOSED ROADWAY AND PAVEMENT MARKING PLAN**

SCALE: SHEET NO. OF SHEETS STA. TO STA.

F.A.P. RTE. 330	SECTION 465 X-RS-2	COUNTY COOK	TOTAL SHEETS 18	SHEET NO. 7
FED. ROAD DIST. NO. 1 (ILLINOIS) FED. AID PROJECT			CONTRACT NO. 60F24	