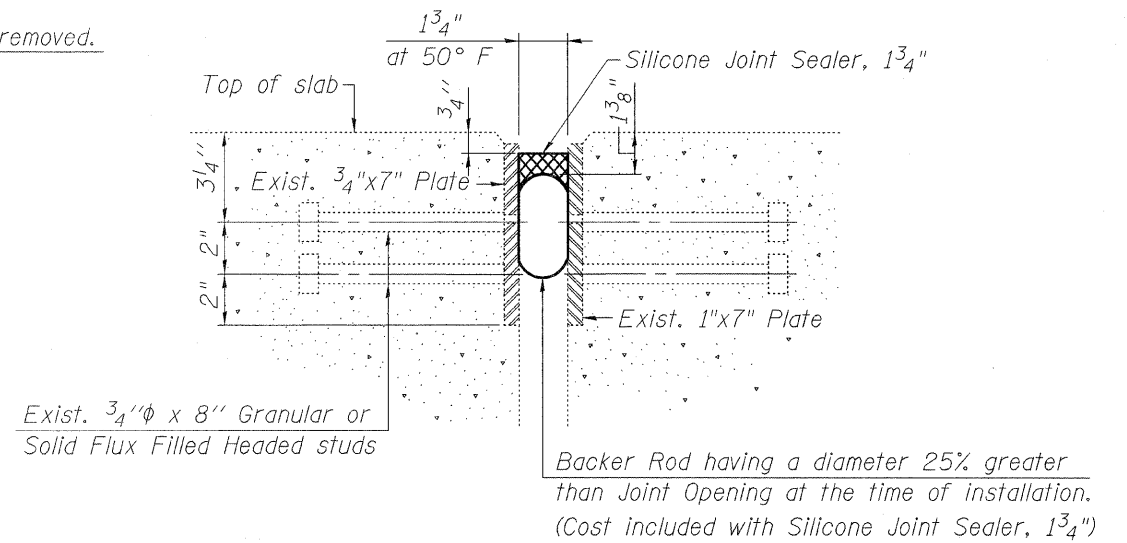


**EXISTING**  
**SECTION A-A**



**PROPOSED**  
**SECTION A-A**

**BILL OF MATERIAL**

Item	Unit	Total
Silicone Joint Sealer, 1 3/4"	Foot	118

**NOTE:**  
Work this Sheet with Sht. S1