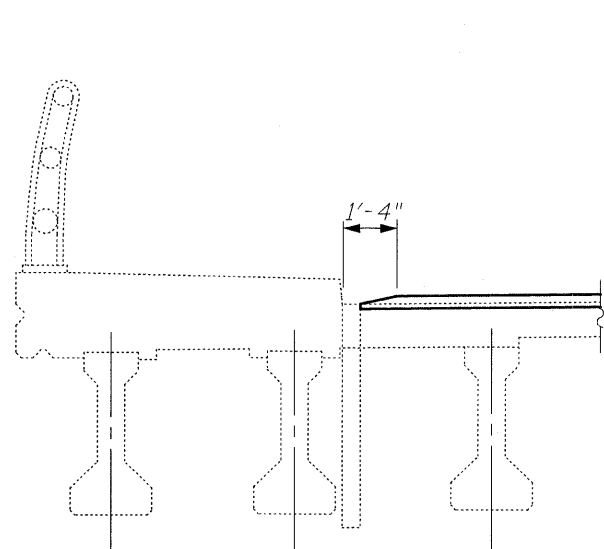
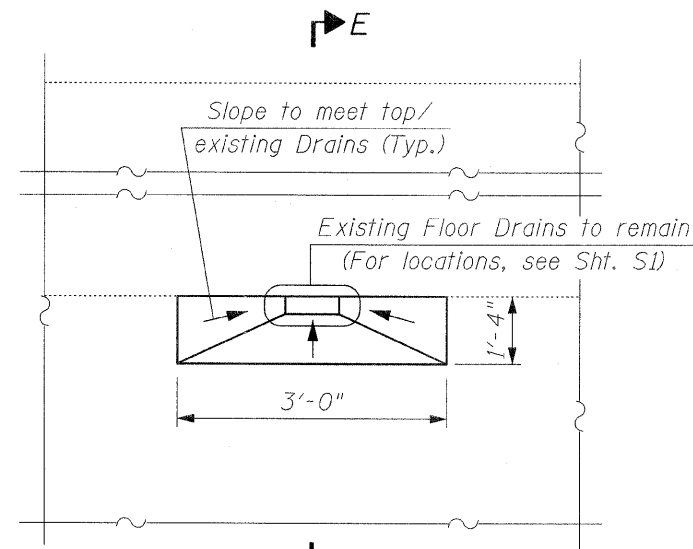


DECK CROSS SECTION
(Looking South)



SECTION E-E



DETAIL "A"

PLAN
(Showing Overlay taper at Existing Floor Drains)

FILE NAME = deck_cross_section.dgn
PLOT DATE = 3/23/2009

CHRISTIAN-ROGE & ASSOCIATES, INC.
ENGINEERS-PLANNERS-SURVEYORS
211 WEST WACKER DRIVE
CHICAGO, ILLINOIS 60606
PHONE: (312)372-2023 FAX: (312)372-5274

DESIGNED - B.N.S./J.C.N.	REVISED -
DRAWN - F.M.	REVISED -
CHECKED - B.N.S./J.C.N.	REVISED -
DATE - MARCH, 2009	REVISED -

STATE OF ILLINOIS
DEPARTMENT OF TRANSPORTATION

DECK CROSS SECTION
IL. 72 (LEE STREET) OVER WILLOW CREEK S.N. 016-0506

SCALE: SHEET NO. S2 OF S10 SHEETS STA. TO STA.

F.A.U. RTE.	SECTION	COUNTY	TOTAL SHEETS	SHEET NO.
1350	2008-063 RS	COOK	42	23
FED. ROAD DIST. NO. ILLINOIS FED. AID PROJECT			CONTRACT NO. 60F40	