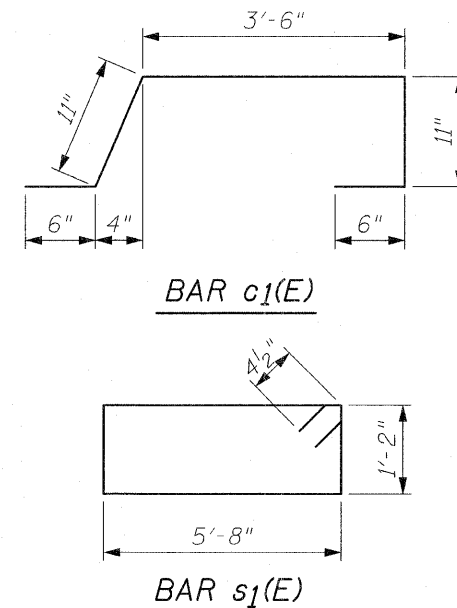


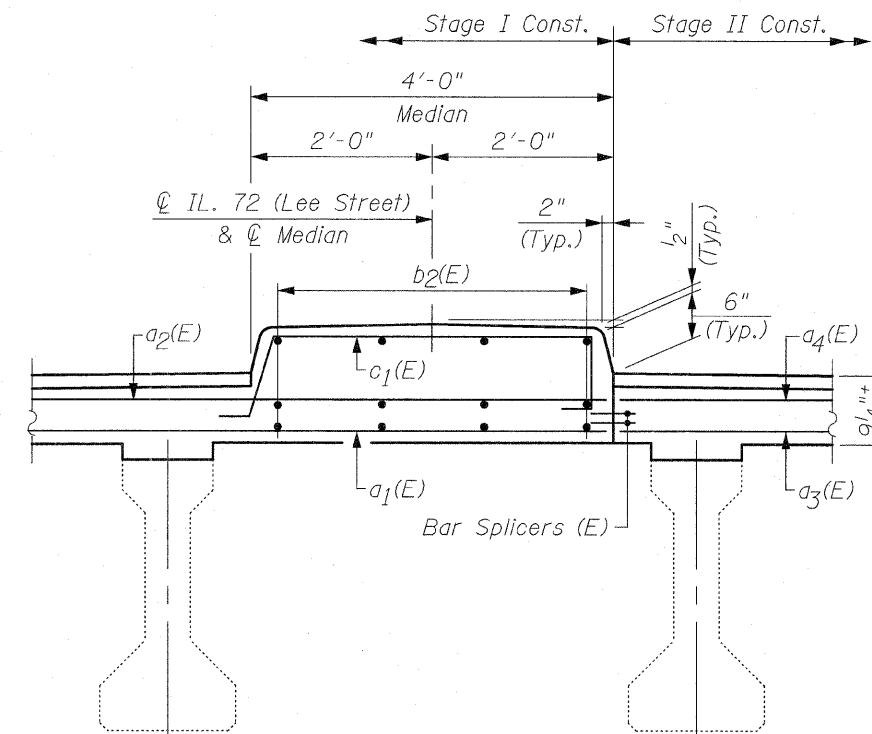
PLAN AT NORTH ABUTMENT
(South Abutment similar by 180° rotation)

NOTE:
For Reinforcement in Median & for Bar Splicers (E) in Median, see Sht. S6



BILL OF MATERIAL
(for one Abutment)

Bar	No.	Size	Length	Shape
a ₁ (E)	11	#5	36'-8"	—
a ₂ (E)	11	#5	33'-0"	—
a ₃ (E)	11	#5	32'-8"	—
a ₄ (E)	11	#5	29'-0"	—
b ₂ (E)	12	#5	3'-10"	—
c ₁ (E)	6	#5	6'-4"	U
s ₁ (E)	12	#4	14'-5"	Rect
Reinforcement Bars, Epoxy Coated		Pound	1,710	
Concrete Removal		Cu. Yd.	12.7	
Concrete Superstructure		Cu. Yd.	13.8	
Bar Splicers		Each	34	



SECTION B-B

FILE NAME = jt_reconst_north.dgn
PLOT DATE = 3/23/2009

CHRISTIAN-ROGE & ASSOCIATES, INC.
ENGINEERS-PLANNERS-SURVEYORS
211 WEST WACKER DRIVE
CHICAGO, ILLINOIS 60606
PHONE: (312)372-2023 FAX: (312)372-5274

DESIGNED - B.N.S./J.C.N.	REVISED -
DRAWN - F.M.	REVISED -
CHECKED - B.N.S./J.C.N.	REVISED -
DATE - MARCH, 2009	REVISED -

STATE OF ILLINOIS
DEPARTMENT OF TRANSPORTATION

JOINT RECONSTRUCTION AT NORTH & SOUTH ABUTMENTS
IL. 72 (LEE STREET) OVER WILLOW CREEK S.N. 016-0506

SCALE: SHEET NO. S4 OF S10 SHEETS STA. TO STA.

F.A.U. RTE.	SECTION	COUNTY	TOTAL SHEETS	SHEET NO.
1350	2008-063 RS	COOK	42	25
FED. ROAD DIST. NO. ILLINOIS FED. AID PROJECT			CONTRACT NO. 60F40	