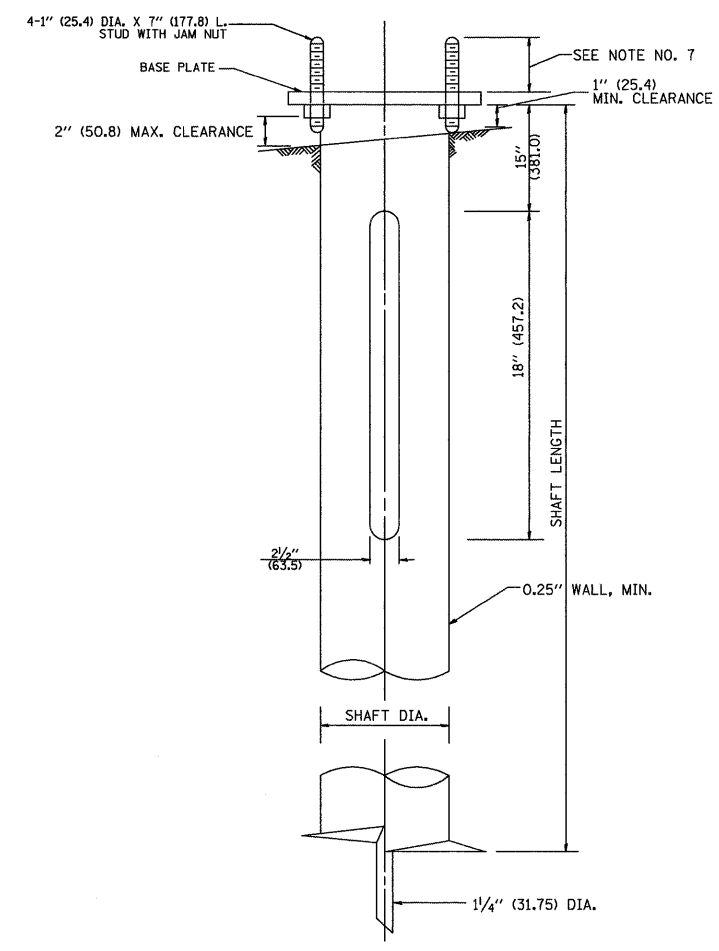
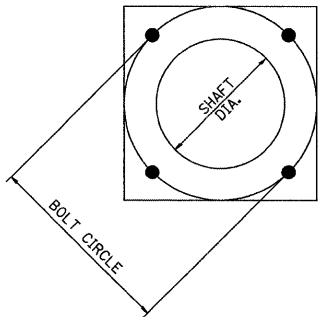


F.A. RTE.	SECTION	COUNTY	TOTAL SHEETS	SHEET NO.
332	2008-081.L	COOK	18	16
STA.		TO STA.		
FED. ROAD DIST. NO.		ILLINOIS	FED. AID PROJECT	



**HELIX FOUNDATION SIZE**

POLE MOUNTING HEIGHT	BOLT CIRCLE	SHAFT DIAMETER	SHAFT LENGTH	BASEPLATE
30 FT.	11 1/2"	8 5/8"	6 FT.	12"x12"x1"
31 FT.-35 FT.	11 1/2"	8 5/8"	6 FT.	12"x12"x1"
36 FT.-40 FT.	15"	8 5/8"	6 FT.	15"x15"x1 1/4"
41 FT.-45 FT.	15"	8 5/8"	6 FT.	15"x15"x1 1/4"
46 FT.-50 FT.	15"	10"	8 FT.	15"x15"x1 1/4"

**METAL HELIX FOUNDATION MATERIALS**

ITEM	MATERIAL REQUIREMENT
BASEPLATE	AASHTO M 270M, GRADE 36 (M270M, GRADE 250)
SHAFT	ASTM A 252, GRADE 2 (PHOSPHOROUS 0.04% MAXIMUM, SULFUR 0.05% MAXIMUM)
HELIX SCREW	AASHTO M 183 (ASTM A 635)
PILOT POINT	AASHTO M 270 (ASTM A 575)
ANCHOR RODS/STUDS	AASHTO M 314 (ASTM F 1554)
HEXAGON NUTS	AASHTO M 291M (ASTM A 563) GRADE DH, OR AASHTO M 292 (ASTM A 194) GRADE 2H
WASHERS	AASHTO M 293 (ASTM F 436)

**NOTES:**

- ALL DIMENSION IN INCHES (MILLIMETERS) UNLESS OTHERWISE SHOWN.
- ALL MATERIAL SHALL BE GALVINIZED ACCORDING TO AASHTO M11, UNLESS OTHERWISE SPECIFIED.
- ALL WELDS SHALL BE CONTINUOUS AND NOT LESS THAN 1/4" (6.35 mm) FILLET WELDS. THE WELDED FOUNDATION SHALL BE CAPABLE OF WITHSTANDING 10,000 FT/LBS (13558.18 n.m) OF INSTALLATION TORQUE APPLIED ABOUT THE AXIS OF THE FOUNDATION.
- THE HELIX FOUNDATION SHAFT SHALL BE INSTALLED VERTICAL AND THE BASE PLATE SHALL BE IN LEVEL. THE BREAKAWAY COUPLINGS AND HARDWARE SHALL NOT BE USED TO ALIGN THE POLE INSTALLATION.
- THE CABLE TRENCH SHALL BE BACKFILLED AND FIRMLY COMPACTED BEFORE THE INSTALLATION OF THE LIGHT POLE.
- THE CONTRACTOR SHALL COORDINATE EXTENSION OF ANCHOR BOLTS ABOVE TOP OF THE BASE PLATE WITH THE BREAKAWAY DEVICE MANUFACTURER'S REQUIREMENTS.
- ANY VOIDS WITHIN THE METAL FOUNDATION SHALL BE FILLED WITH FINE AGGREGATE.
- METAL FOUNDATIONS SHALL BE INSTALLED IN UNDISTURBED SOIL. PREDRILLING A PILOT HOLE AND/OR BACKFILLING AROUND THE FOUNDATION IS NOT ALLOWED.
- THE METAL FOUNDATION SHALL NOT BE INSTALLED TO A TORQUE WHICH EXCEEDS THE MANUFACTURER'S MAXIMUM TORQUE RATING NOR SHALL IT BE INSTALLED TO AN INSTALLATION TORQUE VALUE OF LESS THAN 3,500 FT LB (4,750 KNM). METAL FOUNDATIONS THAT ARE NOT INSTALLED TO FULL INSTALLATION DEPTH OR DO NOT ACHIEVE THE MINIMUM INSTALLATION TORQUE SHALL BE REMOVED AND REPLACED WITH A CONCRETE FOUNDATION AT NO ADDITIONAL COST.
- THE BASEPLATE SHALL BE PERPENDICULAR TO THE SHAFT AXIS ( $\pm 1^\circ$ ) AND THE HOLE CENTERLINE SHALL BE CONCENTRIC ( $\pm 0.188$ ) TO THE SHAFT AXIS.
- THE PILOT POINT AND SHAFT AXIS SHALL BE CONCENTRIC ( $\pm 0.125$ ) AND IN LINE ( $\pm 2^\circ$ ).
- THE BASEPLATE SHALL BE STAMPED WITH THE MANUFACTURERS NAME AND DATE OF MANUFACTURE.

BE-305

ILLINOIS DEPARTMENT OF TRANSPORTATION  
LIGHT POLE FOUNDATION, METAL

SCALE: NONE  
DATE 2/27/2007  
DRAWN BY DB  
CHECKED BY

FILE NAME =	USER NAME = default	DESIGNED -	REVISED -	STATE OF ILLINOIS DEPARTMENT OF TRANSPORTATION				LIGHT POLE FOUNDATION, METAL BE-305				F.A.P. RTE.	SECTION	COUNTY	TOTAL SHEETS	SHEET NO.
P:\_2009\C9X93600\CADD\Sheets\Lighting_Proposed_Sheet_14_BE305.dgn	Proposed_Sheet_14_BE305.dgn	DRAWN -	REVISED -									332	2008-081 L	COOK	18	16
PLOT SCALE = #SCALE#	CHECKED -	REVISED -	REVISED -	SCALE: N.T.S.				SHEET NO.	OF	SHEETS	STA. -	TO STA. -	CONTRACT NO. 60F83			
PLOT DATE = 3/5/2009	DATE -	REVISED -	REVISED -					FED. ROAD DIST. NO.		ILLINOIS	FED. AID PROJECT					

3/5/2009 P:\\_2009\C9X93600\CADD\Sheets\Lighting\_Proposed\_Sheet\_14\_BE305.dgn