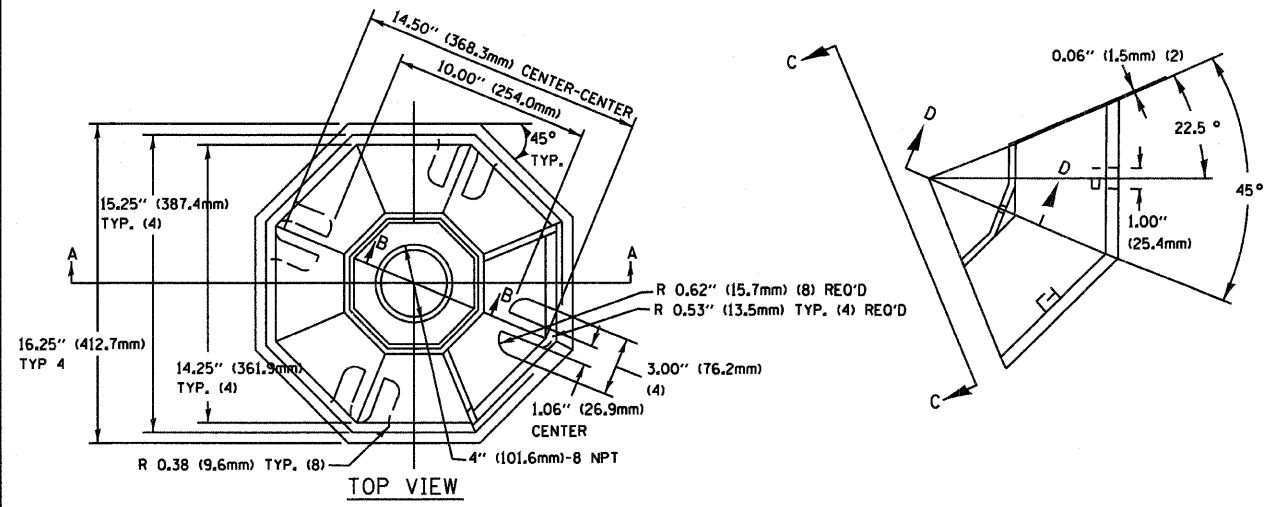
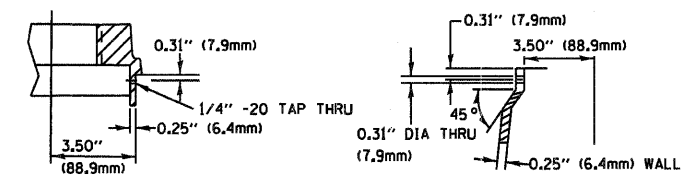


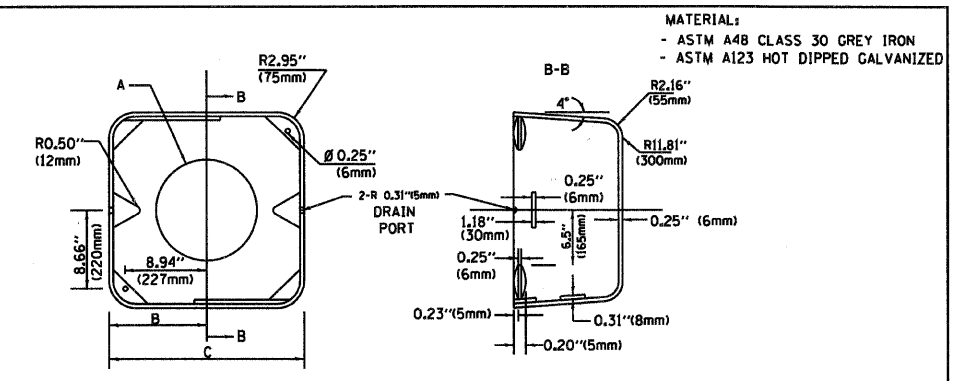
REGINA WEBSTER
AND ASSOC. INC.
CIVIL ENGINEERING CONSULTANTS
6140 North Cicero Avenue, Suite 500
Chicago, Illinois 60631-1369



SECTION B-B

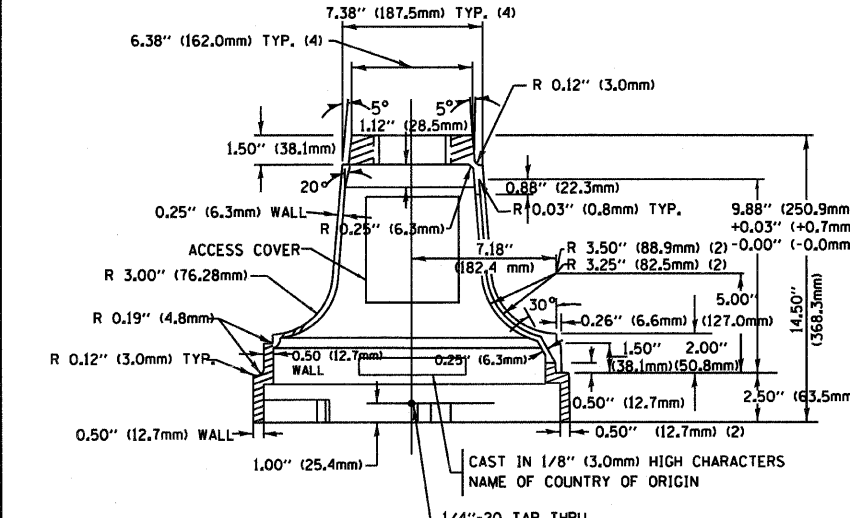


SECTION D-D

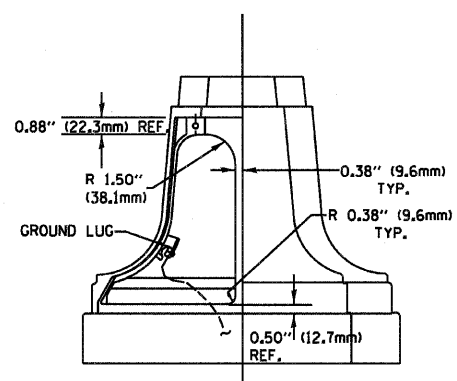


TYPE	A	B	C	HEIGHT	WEIGHT
I	Ø 10.125\"(257mm)	9.5\"(241mm)	19\"(483mm)	12\"(300mm)	24kg
II	Ø 11.125\"(283mm)	10.75\"(273mm)	21.5\"(546mm)	12\"(300mm)	26kg

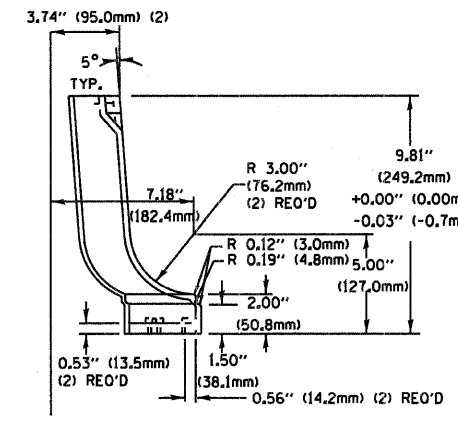
SHROUD DETAIL



SECTION A-A

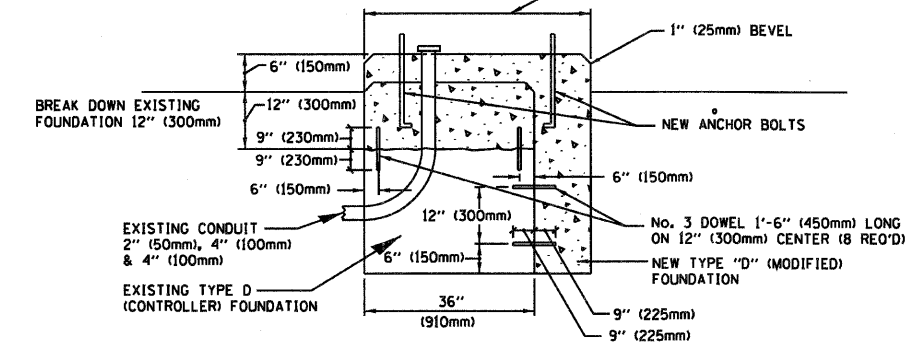


VIEW C-C



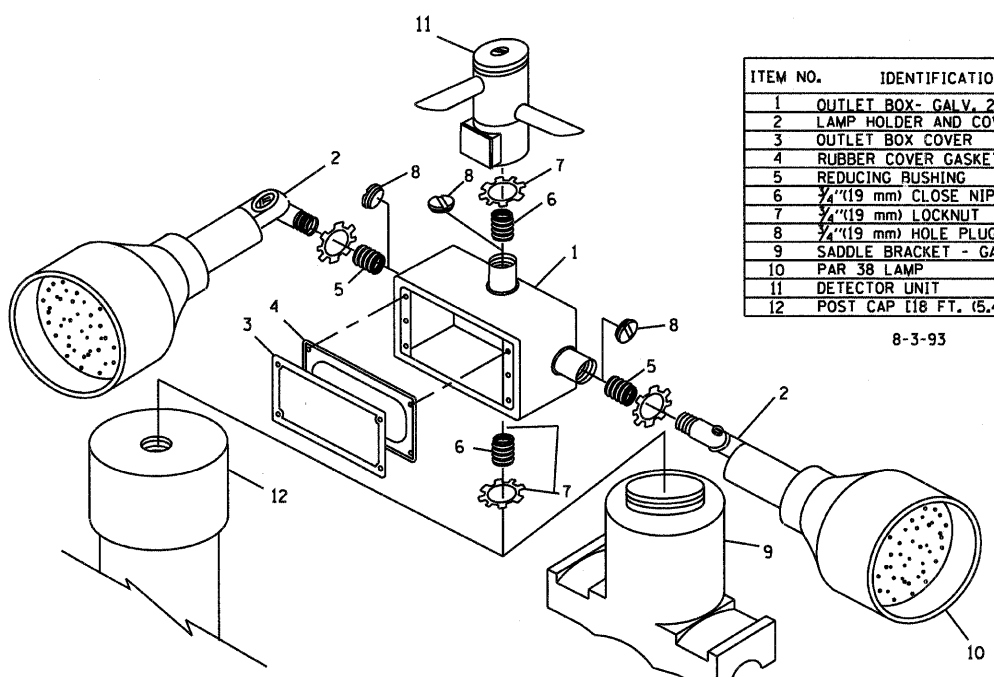
TRAFFIC SIGNAL POST - MOUNTING BASE - TYPE A

NOTE:
SUPPORT EXISTING CABINET AND CONTROL EQUIPMENT ABOVE FOUNDATION TO KEEP TRAFFIC SIGNAL FUNCTIONING WHILE FOUNDATION MODIFICATION WORK IS PROCEEDING.



MODIFY EXISTING TYPE "D" FOUNDATION

(NOT TO SCALE)

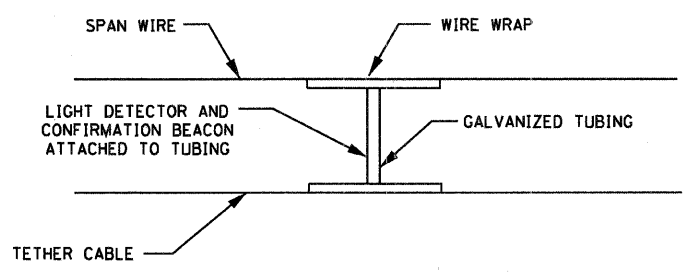


ITEM NO.	IDENTIFICATION
1	OUTLET BOX- GALV, 21 CU.IN. (0.00344 CU-M)
2	LAMP HOLDER AND COVER
3	OUTLET BOX COVER
4	RUBBER COVER GASKET
5	REDUCING BUSHING
6	1/4\"(19 mm) CLOSE NIPPLE
7	1/4\"(19 mm) LOCKNUT
8	1/4\"(19 mm) HOLE PLUG
9	SADDLE BRACKET - GALV.
10	PAR 38 LAMP
11	DETECTOR UNIT
12	POST CAP [18 FT. (5.4 m) POST MIN.]

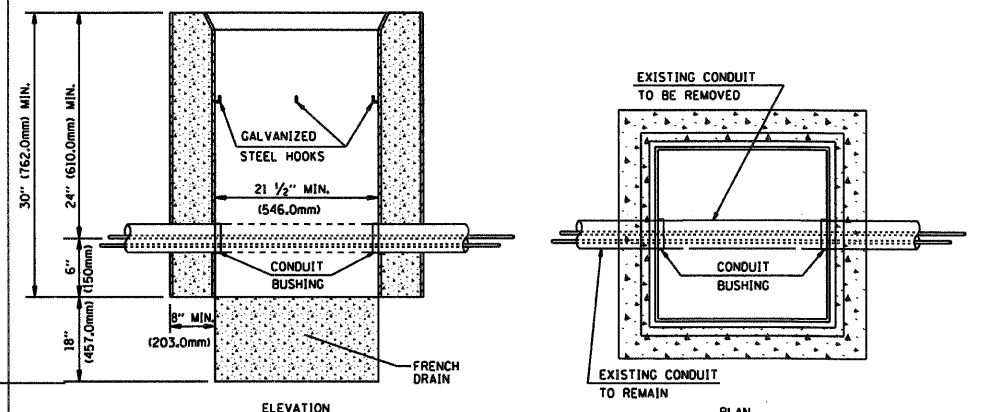
8-3-93

NOTES:

- ALL ELECTRICAL ITEMS, EXCEPT ITEMS #2 AND #11 SHALL BE ALUMINUM OR GALVANIZED
- ITEM #1- OZ/GEDNEY FSX-1-50 OR EQUIVALENT
ITEM #2- MULBERRY C@N-D-SHADE LAMP SHIELD OR EQUIVALENT
ITEM #9- "BAND-IT" SADDLE BRACKET OR EQUIVALENT
- WHEN POST MOUNTING IS SPECIFIED, ITEM #9 SHALL NOT BE REQUIRED. THE DETECTION UNIT SHALL BE MOUNTED DIRECTLY ON TOP OF THE CAP BY DRILLING AND TAPPING A 3/4\"(19 mm) HOLE WITH PIPE THREADS. THE POST CAP SHALL EITHER BE SCREWED TO THE TOP OF THE POST OR A MINIMUM OF 3 TIGHTENING SCREWS SHALL BE REQUIRED ON EACH CAP.



LIGHT DETECTOR AND CONFIRMATION BEACON MOUNTING FOR TEMPORARY TRAFFIC SIGNALS (NOT TO SCALE)



NOTES:
1. REMOVAL OF EXISTING CONDUIT FROM THE HANDHOLE AND THE INSTALLATION OF THE CONDUIT BUSHING SHALL BE INCIDENTAL TO THE HANDHOLE.

DETAIL
HANDHOLE TO INTERCEPT EXISTING CONDUIT
N.T.S.

REVISIONS	
NAME	DATE

ILLINOIS DEPARTMENT OF TRANSPORTATION
**DISTRICT 1
STANDARD TRAFFIC SIGNAL
DESIGN DETAILS**

SCALE: VERT. NONE
HORIZ. 1-01-02

DRAWN BY: RWP
DESIGNED BY: DAD
CHECKED BY: DAZ
SHEET 4 OF 4

F.A.P. RTE.	SECTION	COUNTY	TOTAL SHEETS	SHEET NO.
VAR.	2009-006 TS	LAKE	21	6

CONTRACT NO. 60G02
FED. ROAD DIST. NO. ILLINOIS FED. AID PROJECT

FILE NAME =	USER NAME = #USER#	DESIGNED - JS	REVISED -
*FILEL#		DRAWN - DW	REVISED -
		CHECKED - JD	REVISED -
		DATE - 01/29/09	REVISED -

STATE OF ILLINOIS
DEPARTMENT OF TRANSPORTATION

STANDARD TRAFFIC SIGNAL
DESIGN DETAILS - SHEET 4 OF 4

SCALE: NONE SHEET NO. 6 OF 21 SHEETS STA. TO STA.