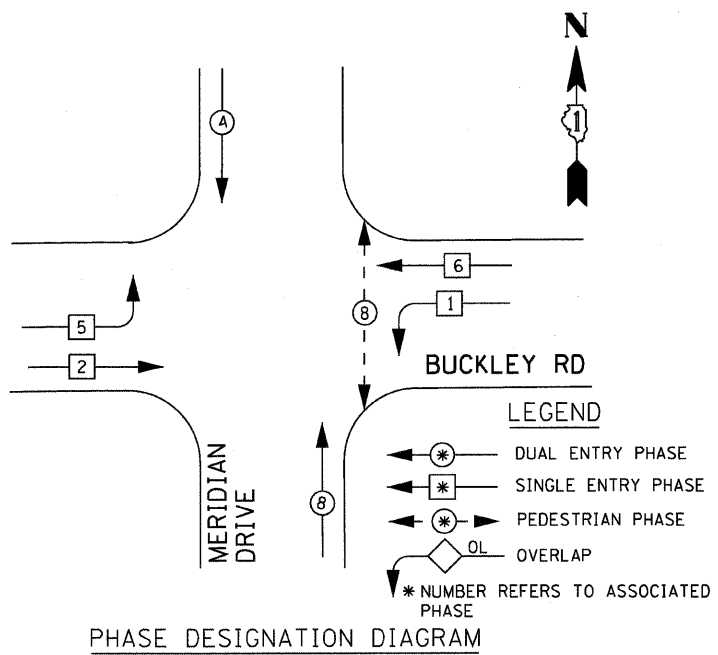


REGINA WEBSTER AND ASSOC. INC.
 CIVIL ENGINEERING CONSULTANTS
 560 North Cicero Ave., Suite 500
 Chicago, Illinois 60623-1569
RWA
 Regina Webster & Associates, Inc.

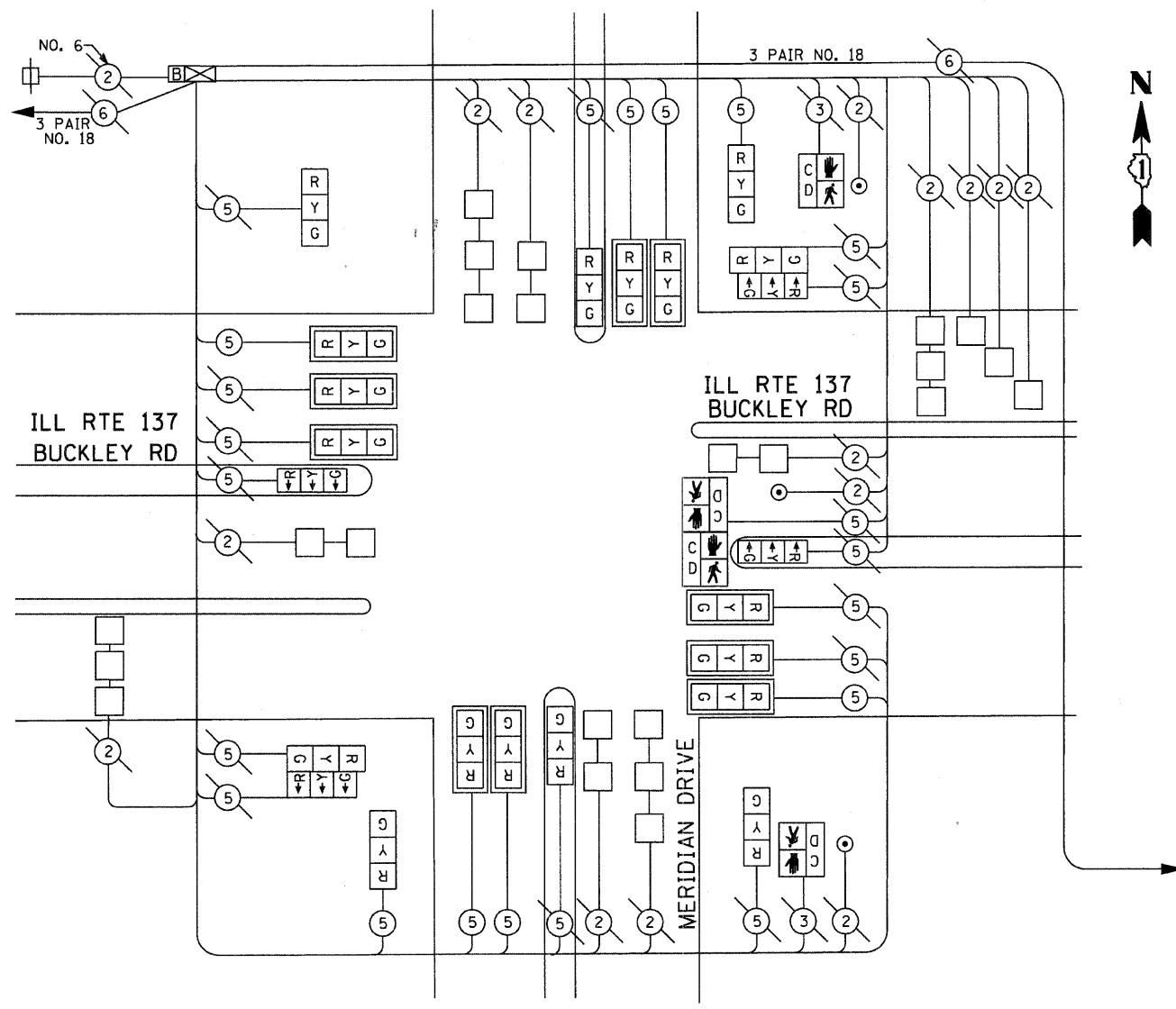
CONTROLLER SEQUENCE IV



PHASE DESIGNATION DIAGRAM

CABLE PLAN LEGEND

- | | | | |
|--|-----------------|--|-----------------|
| | EXISTING | | PROPOSED |
| | | | |
| | | | |
| | | | |
| | | | |
| | | | |
| | | | |
| | | | |
| | | | |
| | | | |
| | | | |
| | | | |
| | | | |
| | | | |
| | | | |
| | | | |
| | | | |
| | | | |
| | | | |
| | | | |
| | | | |
| | | | |
| | | | |



CABLE PLAN

SCHEDULE OF QUANTITIES

ITEM	UNIT	QUANTITY
SIGN PANEL - TYPE I	SO FT	37.5
SIGN PANEL - TYPE II	SO FT	27.5
REMOVE SIGN PANEL -TYPE I	SO FT	37.5
THERMOPLASTIC PAVEMENT MARKING - LINE 6"	FOOT	220
THERMOPLASTIC PAVEMENT MARKING - LINE 24"	FOOT	210
THERMOPLASTIC PAVEMENT MARKING REMOVAL	SO FT	530
CONDUIT IN TRENCH, 2 1/2" DIA., GALVANIZED STEEL	FOOT	36
TRENCH AND BACKFILL FOR ELECTRICAL WORK	FOOT	36
MAINTENANCE OF EXISTING TRAFFIC SIGNAL INSTALLATION	EACH	1
ELECTRIC CABLE IN CONDUIT, SIGNAL NO. 14 5C	FOOT	1759
DRILL EXISTING HANDHOLE	EACH	2
TRAFFIC SIGNAL POST, GALVANIZED STEEL 14 FT.	EACH	6
STEEL MAST ARM ASSEMBLY AND POLE, 30 FT.	EACH	1
STEEL MAST ARM ASSEMBLY AND POLE, 38 FT.	EACH	1
CONCRETE FOUNDATION, TYPE E 30-INCH DIAMETER	FOOT	15
CONCRETE FOUNDATION, TYPE E 36-INCH DIAMETER	FOOT	15
SIGNAL HEAD, L.E.D., 1-FACE, 3-SECTION, BRACKET MOUNTED	EACH	8
SIGNAL HEAD, L.E.D., 1-FACE, 3-SECTION, MAST ARM MOUNTED	EACH	10
SIGNAL HEAD, L.E.D., 2-FACE, 3-SECTION, BRACKET MOUNTED	EACH	2
PEDESTRIAN SIGNAL HEAD, L.E.D., 1-FACE, BRACKET MOUNTED WITH COUNTDOWN TIMER	EACH	2
PEDESTRIAN SIGNAL HEAD, L.E.D., 2-FACE, BRACKET MOUNTED WITH COUNTDOWN TIMER	EACH	1
TRAFFIC SIGNAL BACKPLATE, LOUVERED, ALUMINUM	EACH	10
PEDESTRIAN PUSH-BUTTON	EACH	3
REMOVE EXISTING TRAFFIC SIGNAL EQUIPMENT	EACH	1
REMOVE EXISTING CONCRETE FOUNDATION	EACH	2
TEMPORARY INFORMATION SIGNING	SO FT	102.8
UNINTERRUPTABLE POWER SUPPLY (UPS)	EACH	1

I. D. O. T. TRAFFIC SIGNAL INSTALLATION ELECTRICAL SERVICE REQUIREMENTS					
TYPE	NO. LAMPS	WATTAGE		% OPERATIONS	TOTAL WATTAGE
		INCAND.	LED		
SIGNAL (RED)	18	135	17	0.50	153
(YELLOW)	18	135	25	0.25	112.5
(GREEN)	18	135	15	0.25	67.5
ARROW	12	135	12	0.10	14.4
PED. SIGNAL	4	90	25	1.00	100
CONTROLLER	1	100	100	1.00	100
ILLUM. SIGN	-	252	25	0.05	-
VIDEO SYSTEM	-	150	-	1.00	-
TOTAL =					547.4

ENERGY COSTS - BILLED TO: CITY OF NORTH CHICAGO
 1850 LEWIS AVENUE
 NORTH CHICAGO, IL 60064

ENERGY SUPPLY - CONTACT NEW BUSINESS
 PHONE 1-866-639-3552
 COMPANY COMED

THE TRAFFIC SIGNAL CONTROL EQUIPMENT FOR THIS PROJECT SHALL BE "ECONOLITE" TO MATCH THE EXISTING ADJACENT SYSTEM

FOUNDATION DEPTH	DEPTH (FT.)	CABLE SLACK (FT.)	VERTICAL (FT.)
TYPE A - POST	4	HANDHOLE	ALL FOUNDATIONS
D - CONTOLLER	4	DOUBLE HANDHOLE	MAST ARM (L) POLE = 20' +L-2
E - MAST ARM POLE		SIGNAL POST	BRACKET MOUNTED
30"	15	CONTOLLER CAB.	PED. PUSHBUTTON
36"	15	FIBER OPTIC	ELECTRICAL SERVICE
42"	25	ELECTRICAL SERVICE	SERVICE TO GROUND
		GROUND CABLE	POSTMOUNTED