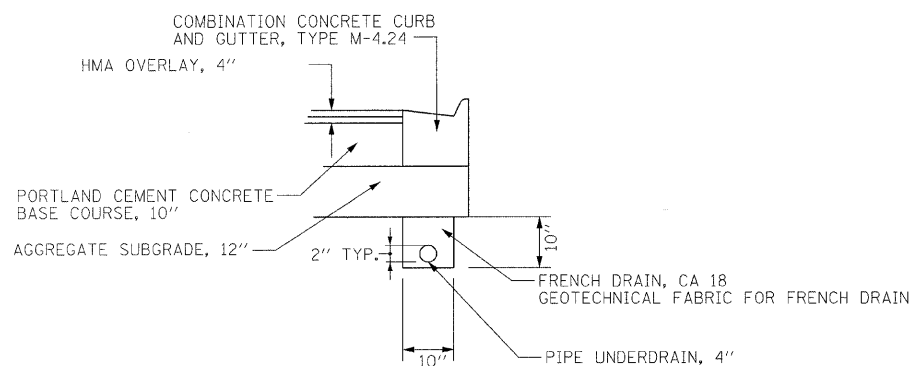
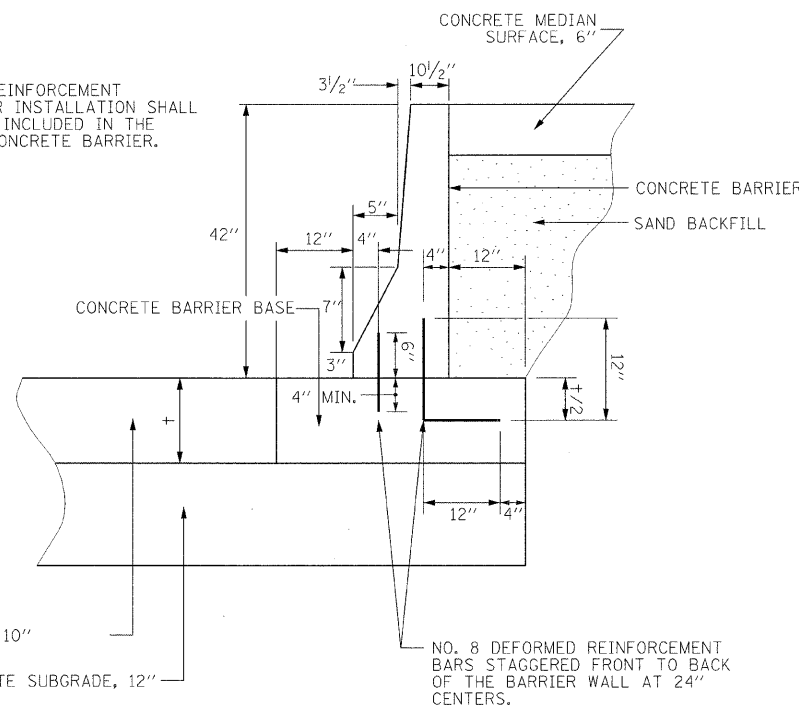


F.A.I. RTE.	SECTION	COUNTY	TOTAL SHEETS	SHEET NO.
90/94	0202-B-2P, ETC. 1415 & 1517R-7	COOK	246	22
STA.	TO STA.			
FED. ROAD DIST. NO.	ILLINOIS	FED. AID PROJECT		
CONTRACT NO. 62408				



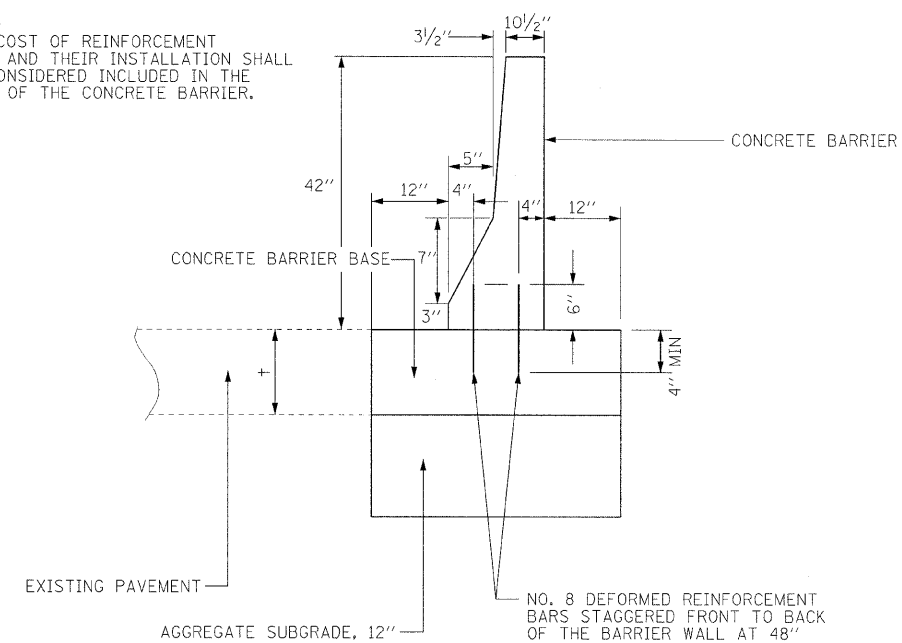
UNDERDRAIN DETAIL

NOTE: THE COST OF REINFORCEMENT BARS AND THEIR INSTALLATION SHALL BE CONSIDERED INCLUDED IN THE COST OF THE CONCRETE BARRIER.



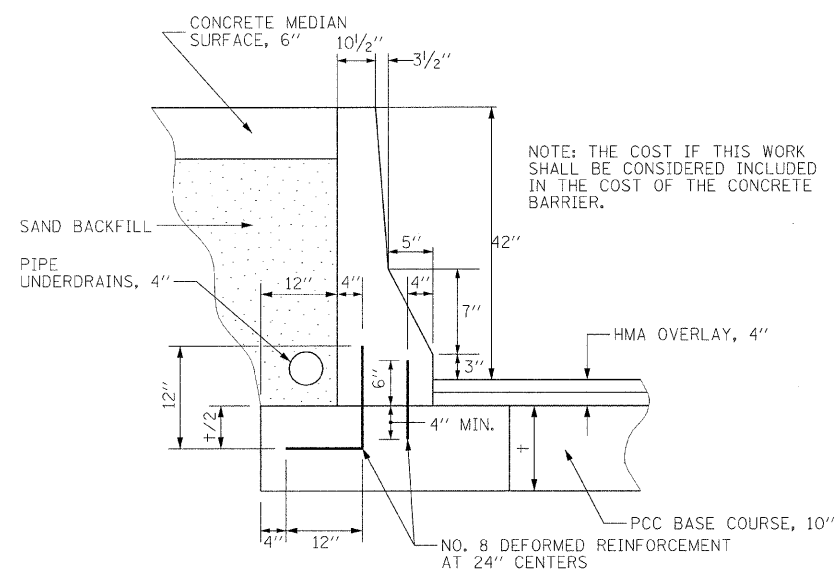
CONCRETE BARRIER BASE DETAIL

NOTE: THE COST OF REINFORCEMENT BARS AND THEIR INSTALLATION SHALL BE CONSIDERED INCLUDED IN THE COST OF THE CONCRETE BARRIER.



CONCRETE BARRIER BASE DETAIL
EB - STA. 50+75 TO STA. 52+10

DATE	
BY	
REVISION	
NO.	
DESCRIPTION	
DATE	
BY	
REVISION	
NO.	
DESCRIPTION	
DATE	
BY	
REVISION	
NO.	
DESCRIPTION	

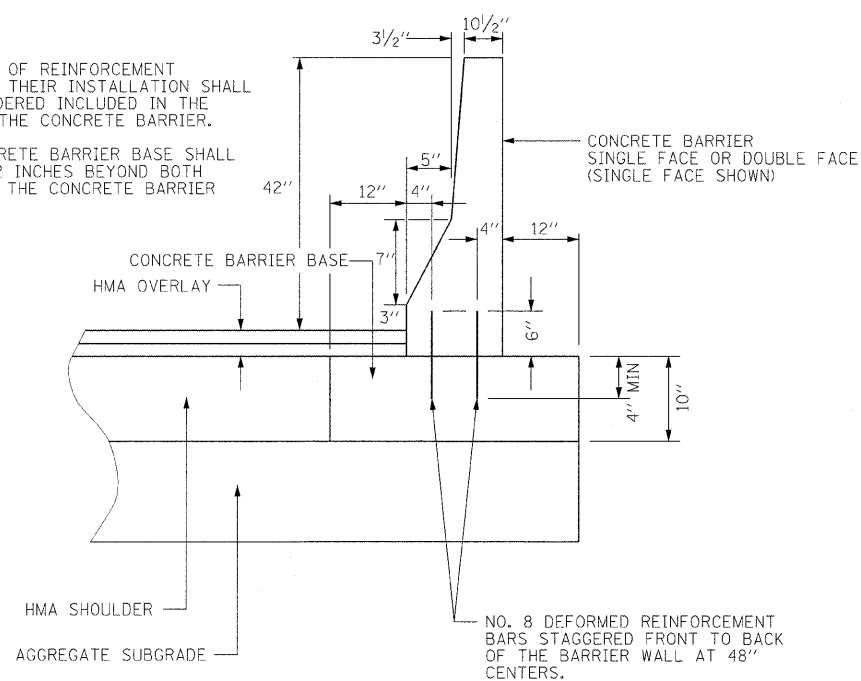


TIE CONCRETE SINGLE BARRIER TO PCC BASE

E.B. - STA. 29+29 TO STA 33+00

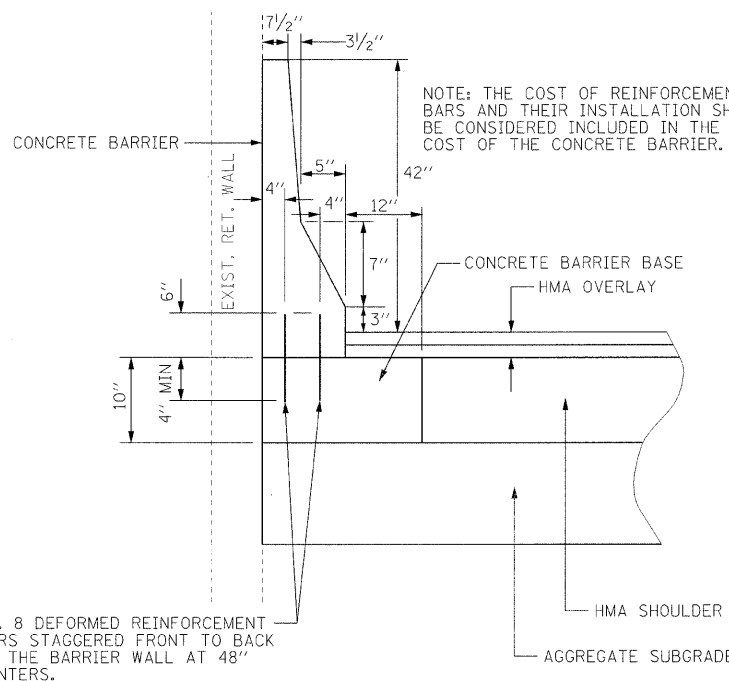
NOTES: THE COST OF REINFORCEMENT BARS AND THEIR INSTALLATION SHALL BE CONSIDERED INCLUDED IN THE COST OF THE CONCRETE BARRIER.

THE CONCRETE BARRIER BASE SHALL EXTEND 12 INCHES BEYOND BOTH FACES OF THE CONCRETE BARRIER WALL.

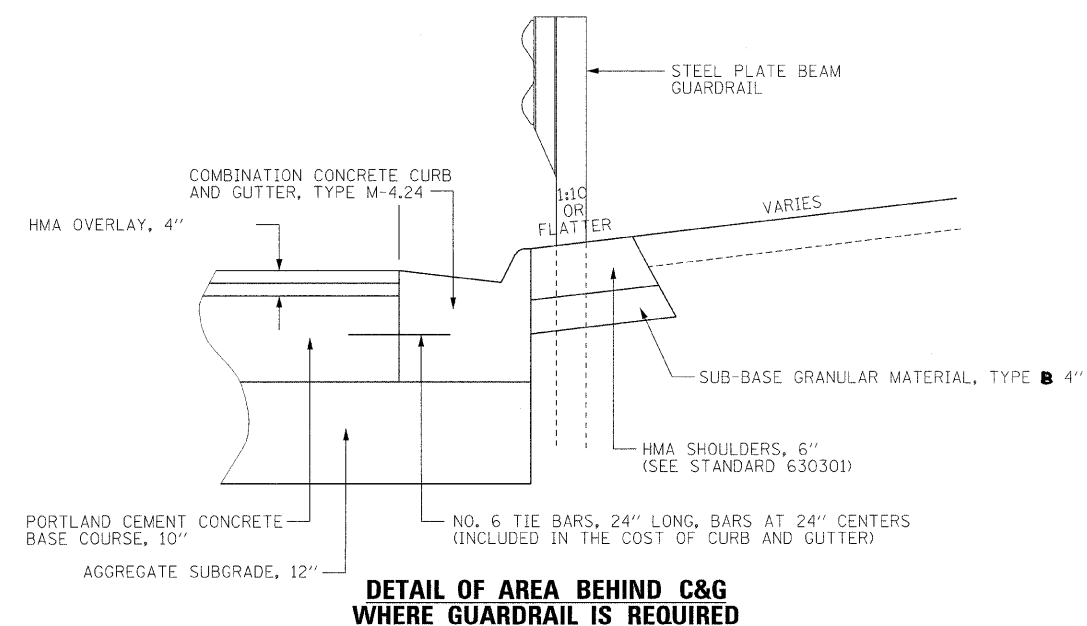


TYPICAL CONCRETE BARRIER BASE DETAIL

NOTE: THE COST OF REINFORCEMENT BARS AND THEIR INSTALLATION SHALL BE CONSIDERED INCLUDED IN THE COST OF THE CONCRETE BARRIER.



CONCRETE BARRIER BASE DETAIL ADJACENT TO RAMP/PIERS



DETAIL OF AREA BEHIND C&G WHERE GUARDRAIL IS REQUIRED

ILLINOIS DEPARTMENT OF TRANSPORTATION
MISCELLANEOUS DETAILS

I-90/94 KENNEDY EXPRESSWAY

SCALE : NTS
DATE : 02/06/09
DRAWN BY : BEC
CHECKED BY : GB