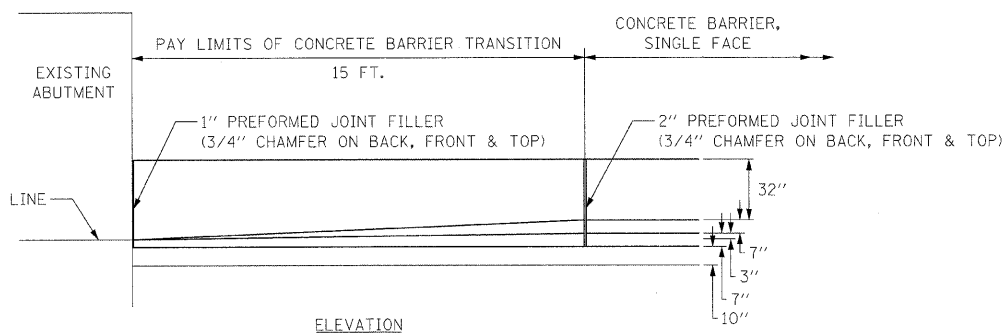
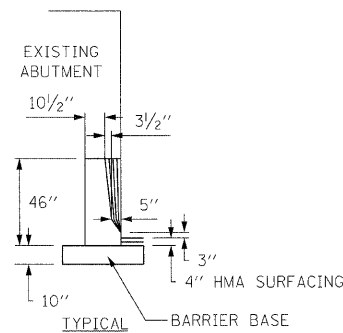


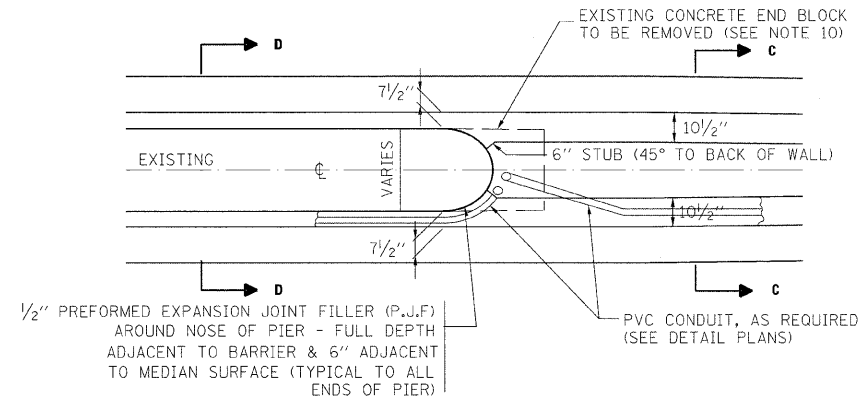
PLAN



ELEVATION

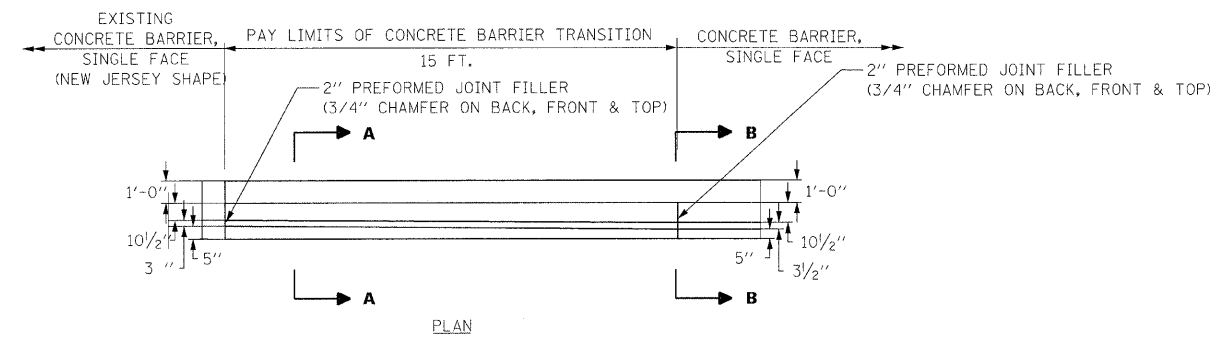


TYPICAL BARRIER BASE

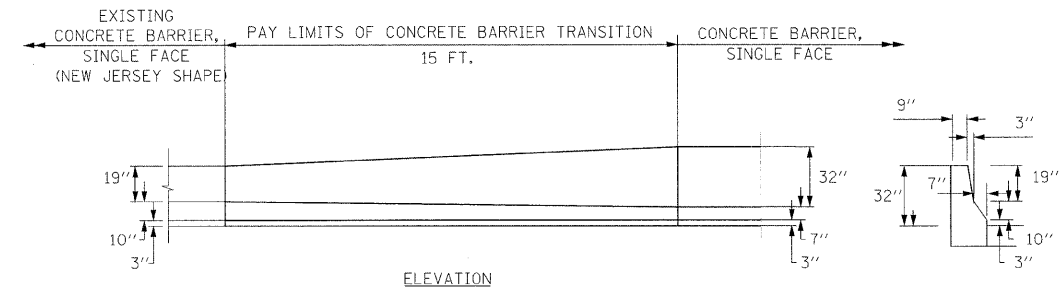


TYPICAL END OF THE PIER DETAIL

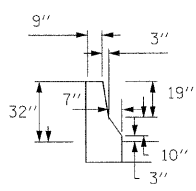
TYPICAL BARRIER TRANSITION TO ABUTMENT



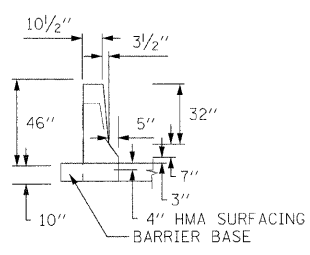
PLAN



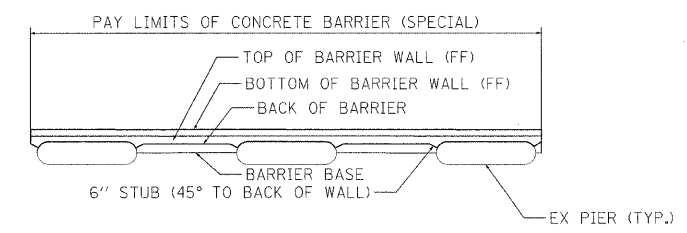
ELEVATION



SECTION A - A



SECTION B - B



CONCRETE BARRIER (SPECIAL)

TYPICAL BARRIER TRANSITION TO EXISTING BARRIER

REVISIONS		ILLINOIS DEPARTMENT OF TRANSPORTATION CONCRETE BARRIER DETAILS I-90/94 KENNEDY EXPRESSWAY
NAME	DATE	
		SCALE : NTS DATE : 02/06/09 DRAWN BY : BEC CHECKED BY : GB