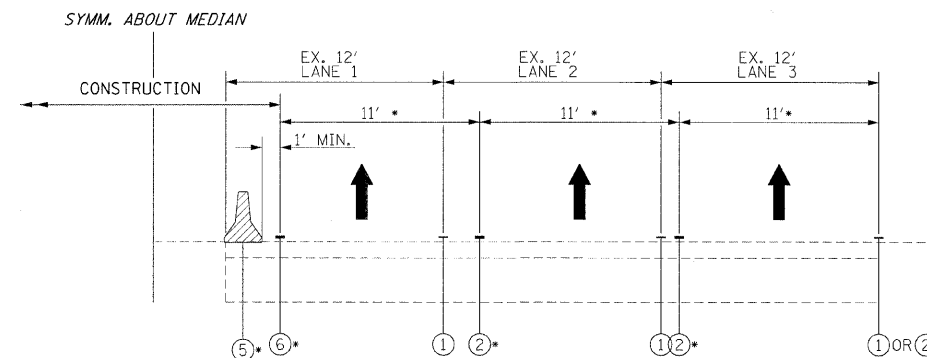


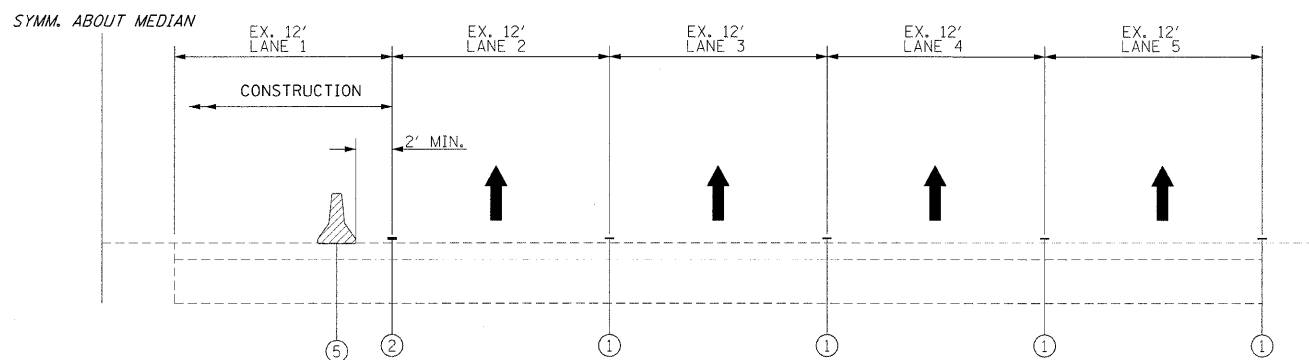
STAGE 2 - EASTBOUND
 MEDIAN RAMP CONSTRUCTION
 STA. 20+00 TO STA. 31+50
 * DURING STAGE 2B ONLY



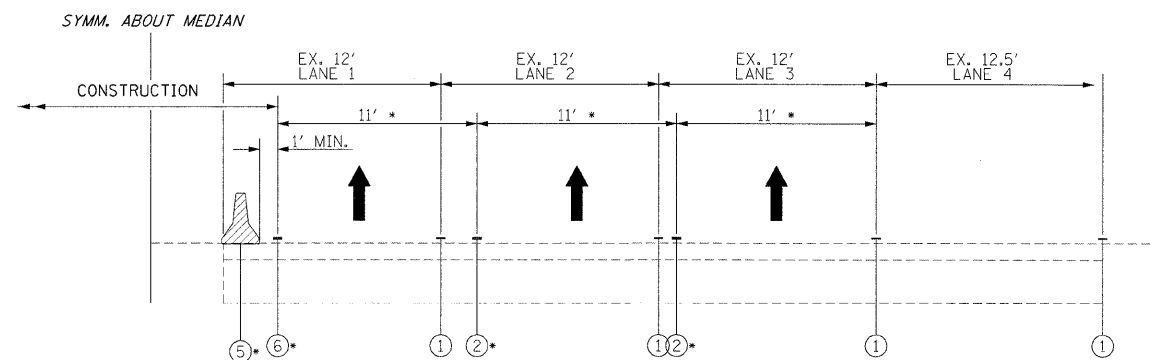
STAGE 2 - WESTBOUND
 MEDIAN RAMP CONSTRUCTION
 STA. 20+00 TO STA. 29+00
 * DURING STAGE 2B ONLY

LEGEND

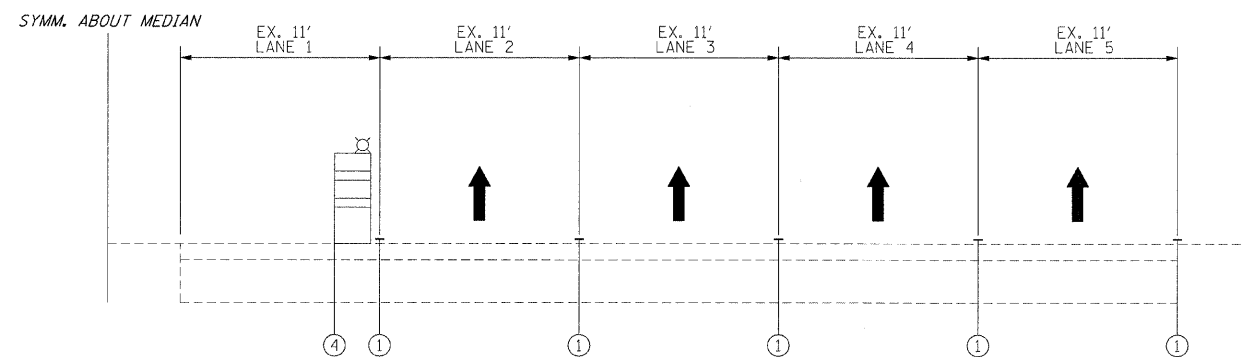
- ① EXISTING PAVEMENT MARKING
- ② PAVEMENT MARKING TAPE TYPE III
- ③ PERMANENT PAVEMENT MARKING
- ④ TYPE II BARRICADE, DRUM, OR VERTICAL BARRICADE WITH STEADY BURN MONO-DIRECTIONAL LIGHT
- ⑤ TEMPORARY CONCRETE BARRIER WALL



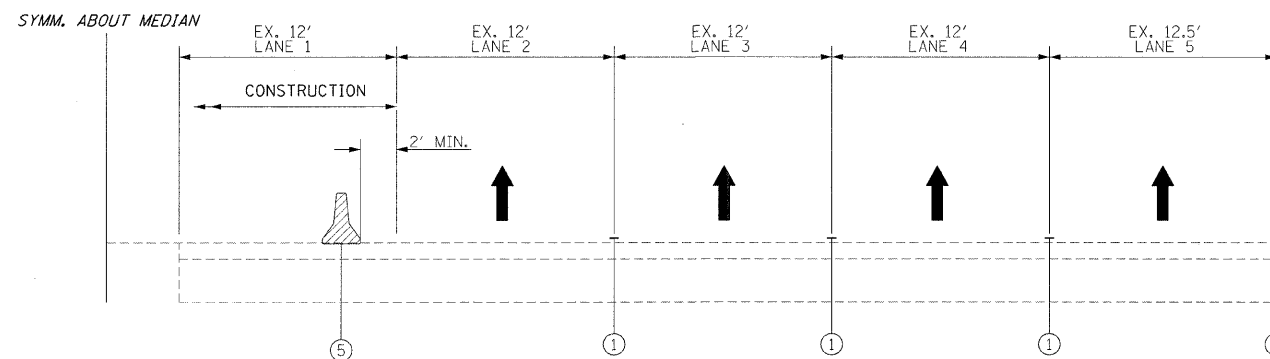
STAGE 2 - EASTBOUND
 MEDIAN RAMP CONSTRUCTION
 STA. 31+50 TO STA. 50+24



STAGE 2 - WESTBOUND
 MEDIAN RAMP CONSTRUCTION
 STA. 29+00 TO STA. 33+50
 * DURING STAGE 2B ONLY



STAGE 2 - EASTBOUND
 MEDIAN RAMP CONSTRUCTION
 STA. 50+24 TO STA. 102+00



STAGE 2 - EASTBOUND
 MEDIAN RAMP CONSTRUCTION
 STA. 33+50 TO STA. 55+50

ILLINOIS DEPARTMENT OF TRANSPORTATION

MAINTENANCE OF TRAFFIC
 I-90/94 KENNEDY EXPRESSWAY
 SEQUENCE OF OPERATIONS
 STA. TO STA.

SCALE : 1" = NTS
 DATE : 02/06/09
 DRAWN BY : BEC
 CHECKED BY : GB

DATE: _____ BY: _____
 SURVEYED: _____
 PLAN: _____
 NOTE BOOK: _____
 NO. _____

DATE: _____ BY: _____
 SURVEYED: _____
 PROFILE: _____
 NOTE BOOK: _____
 NO. _____