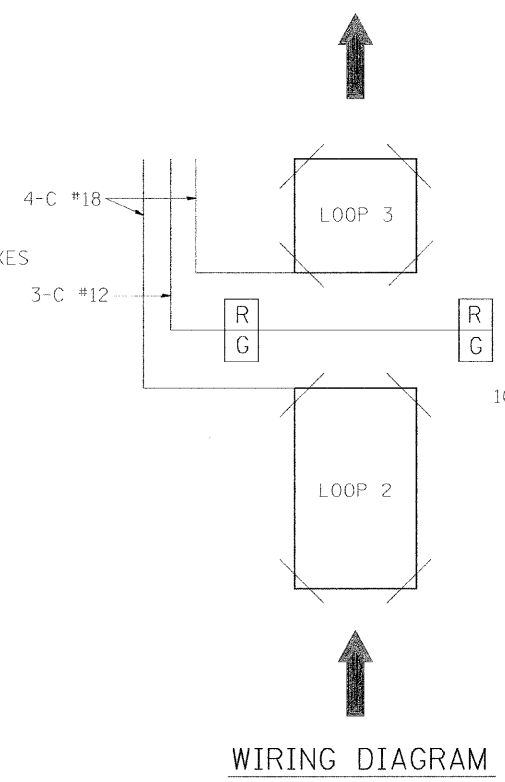
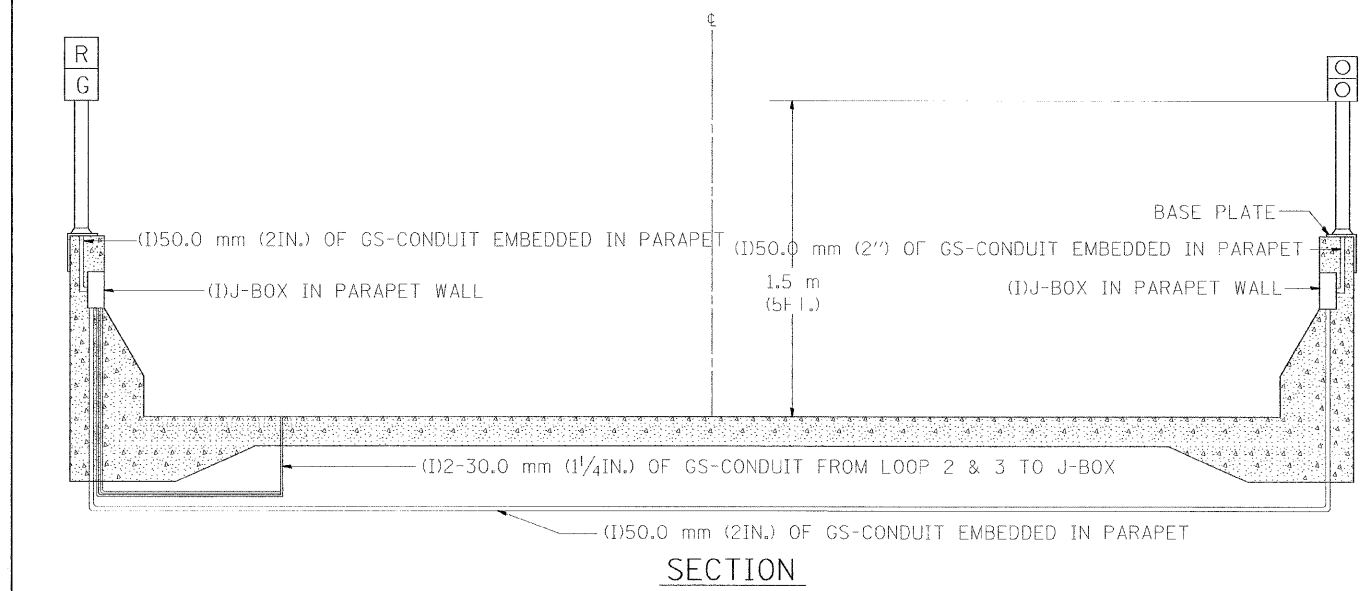
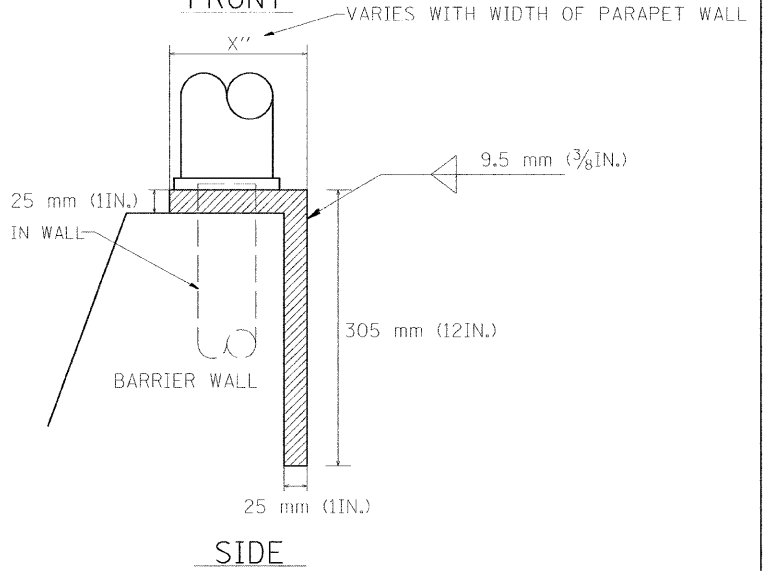
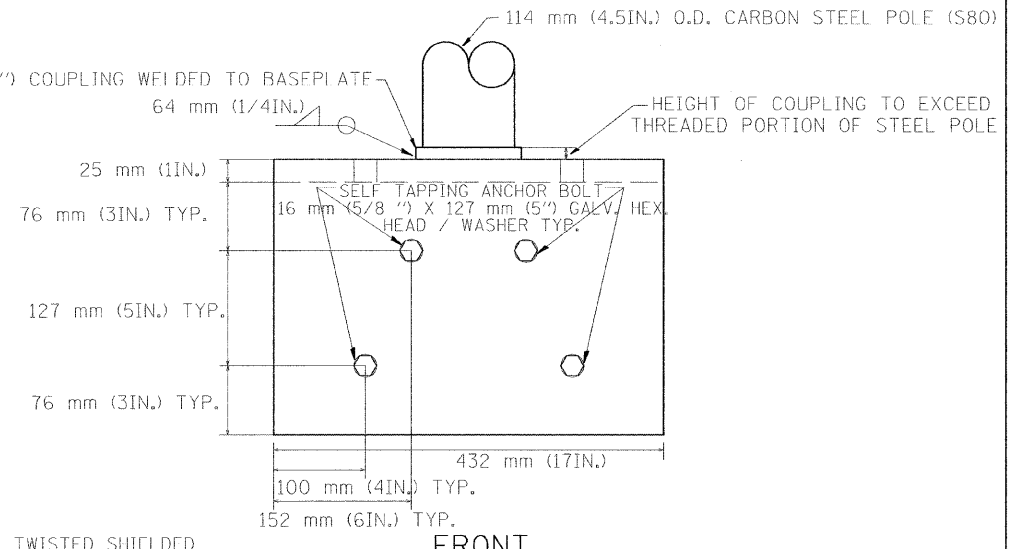
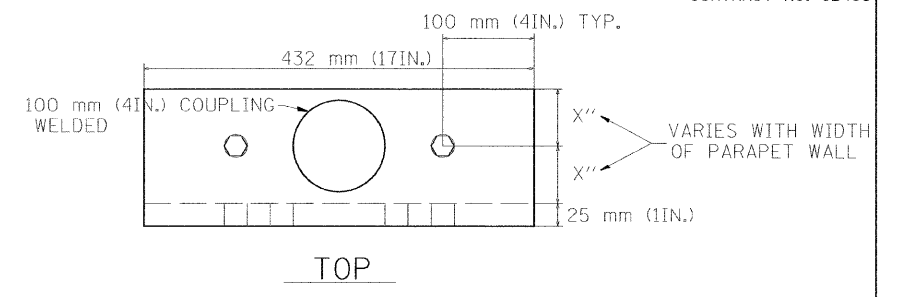


TYPICAL LOOP LAYOUT



- NOTES
1. EACH LOOP SHALL BE SPLICED TO A 4-C NO.18 TWISTED SHIELDED LEAD IN WHEN 45 m (150FT.) OR MORE FROM CABINET.
 2. LOOPS SHALL BE SPLICED IN HANDHOLES OR J-BOX ONLY, OTHERWISE WRITTEN PERMISSION SHALL BE OBTAINED FROM TSC ENGINEER.
 3. LOOPS SHALL NOT BE SPLICED IN SERIES.
 4. EACH LOOP LEAD IN SHALL BE IDENTIFIED AND PERMANENTLY COLOR CODED IN THE COREHOLE, HANDHOLE & CABINETS THRU WHICH THEY ENTER OR PASS AND TAGGED WITH THE CORRECT NOMENCLATURES.



| WIDTH (W) | WIDTH (S) |
|-------------|-------------|
| 3.7 m (12') | 2.5 m (8') |
| 4.0 m (13') | 2.8 m (9') |
| 4.3 m (14') | 3.1 m (10') |
| 4.6 m (15') | 3.4 m (11') |
| 4.9 m (16') | 3.7 m (12') |
| 5.2 m (17') | 4.0 m (13') |
| 5.5 m (18') | 4.3 m (14') |
| 5.8 m (19') | 4.6 m (15') |
| 6.1 m (20') | 4.9 m (16') |
| 6.4 m (21') | 5.2 m (17') |
| 6.7 m (22') | 5.5 m (18') |
| 7.0 m (23') | 5.8 m (19') |
| 7.3 m (24') | 6.1 m (20') |
| 7.6 m (25') | 6.4 m (21') |

| NAME | DATE |
|------|------|
| R.L. | 6/94 |
| R.L. | 2/96 |
| T.C. | 9/96 |
| R.L. | 2/98 |
| | |
| | |
| | |

ILLINOIS DEPARTMENT OF TRANSPORTATION
TRAFFIC SYSTEMS CENTER
**TYPICAL RAMP METERING
TYPE 3 BARRIER WALL
INSTALLATION**

SCALE: VERT. NONE
HORIZ. DATE 6-22-94

DRAWN BY G.M.
CHECKED BY R.L.

RD-TYPNET.DGN
RF=

VI-4003