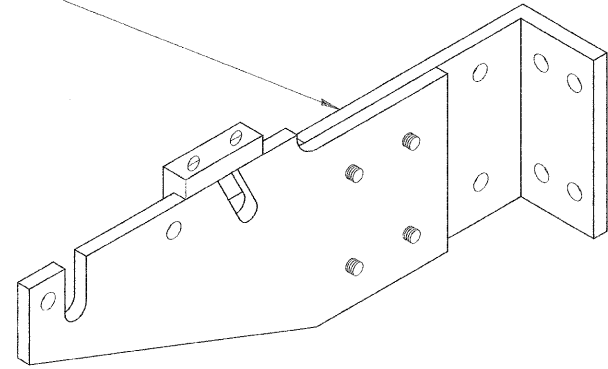
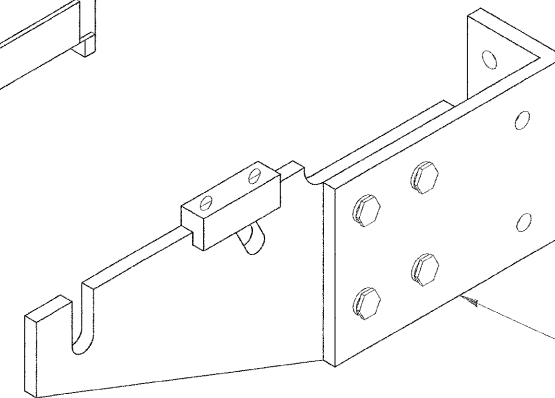
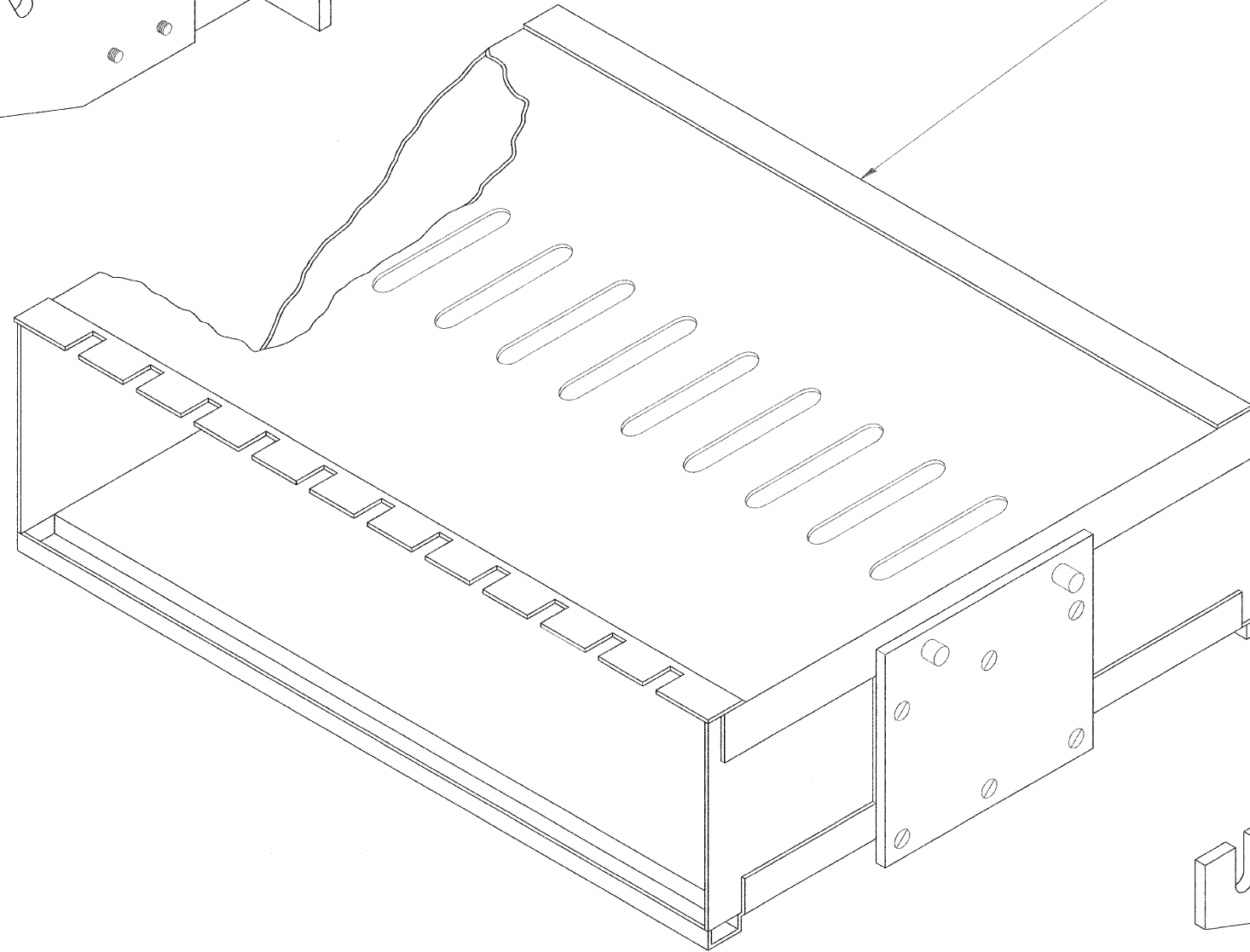


| | | | | |
|---------------------|-----------------------------------|--------|--------|-------|
| F.A. . | SECTION | COUNTY | TOTAL | SHEET |
| RTE. | | | SHEETS | NO. |
| 90/94 | 0202.6-2P, ETC, 1415 & 1517R-7 | COOK | 246 | 70 |
| STA. | TO STA. | | | |
| FED. ROAD DIST. NO. | ILLINOIS FED. AID PROJECT | | | |
| CONTRACT NO. 62408 | | | | |

CRADLE



II MODULE MOUNTING FRAME
(FOR II TYPE "A" PLUG-IN TYPE TONE MODULES)



CRADLE

NOTE:

TYPE "A" TONE MODULES ARE PLUG
IN UNIT MEASURING 5-7/32" (132.55 mm) X 1.5" (38.1 mm) X 13-3/4" (349.25 mm)

| REVISIONS | | ILLINOIS DEPARTMENT OF TRANSPORTATION TRAFFIC SYSTEMS CENTER |
|-----------|------|---|
| NAME | DATE | |
| R.L. | 6/94 | FIELD MOUNTING FRAME WITH CRADLE ASSEMBLY |
| T.C. | 9/96 | |
| | | SCALE: VERT. NONE HORIZ. DATE 6-21-94 |
| | | DRAWN BY G.M. CHECKED BY R.L. |

RD-TYPE/MDJON
RF=

VI=4006

TRAFFIC SYSTEMS CENTER (TY-1TSC-400#6)