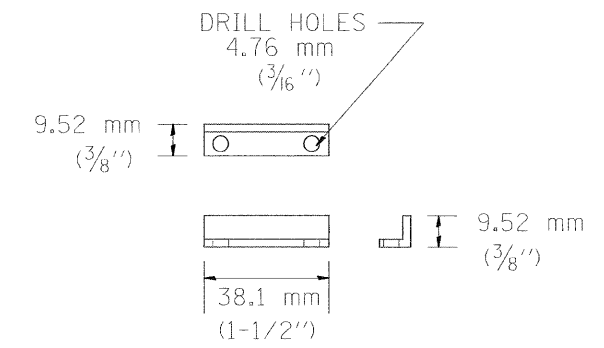
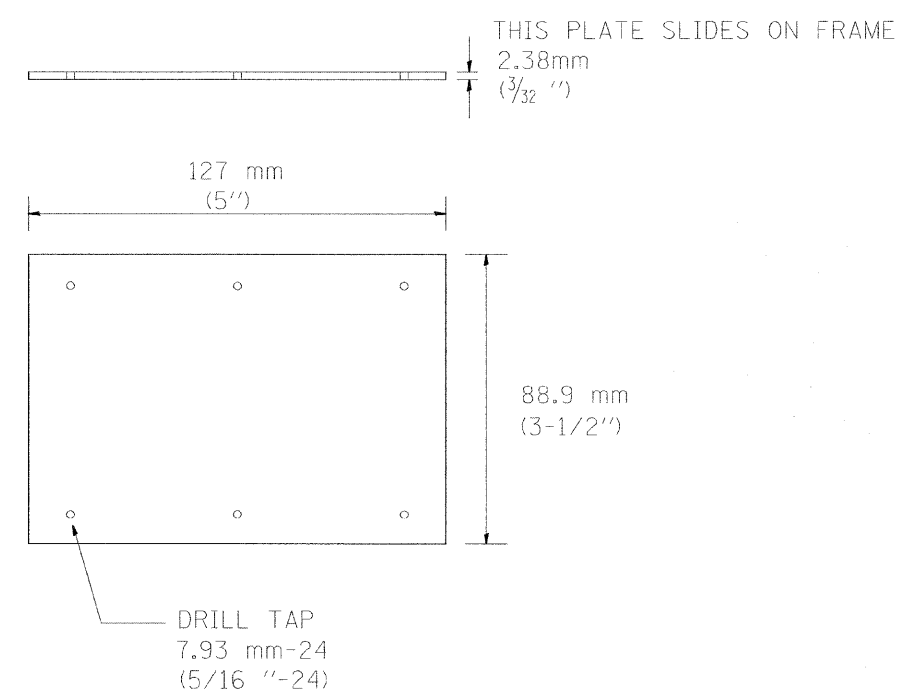
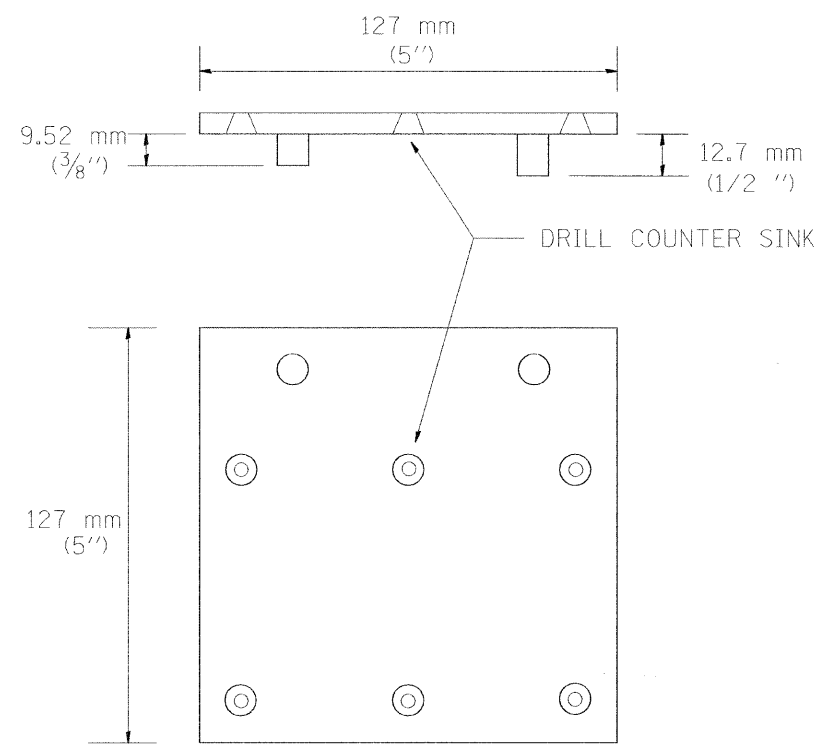
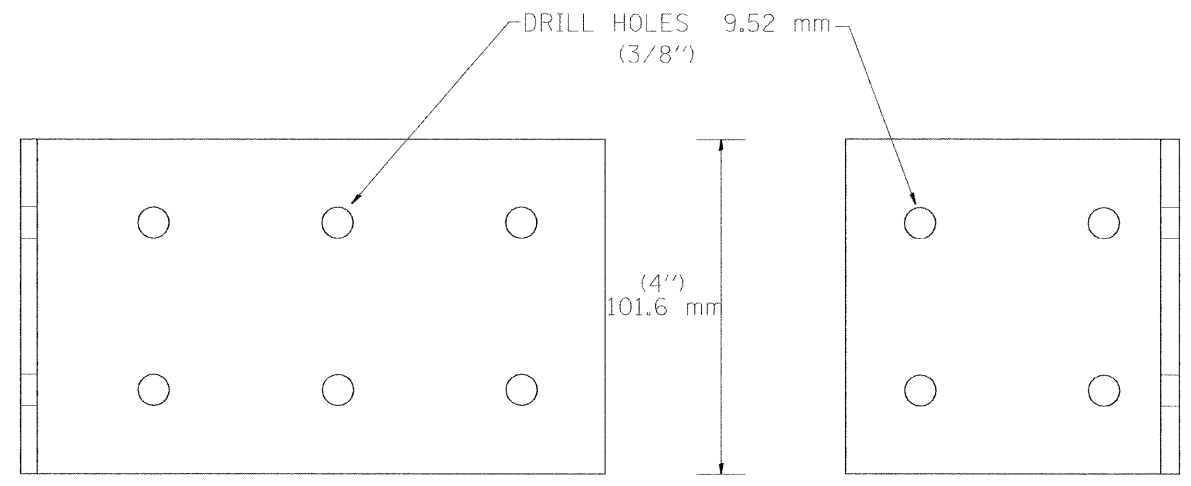
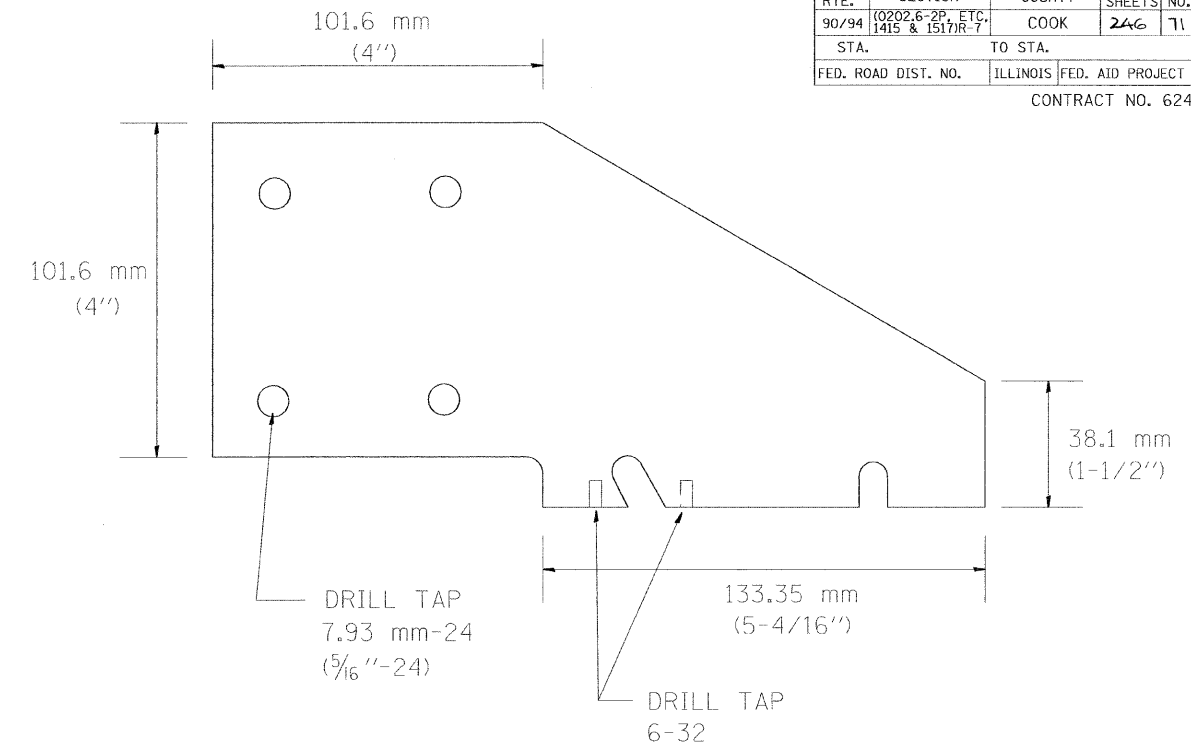
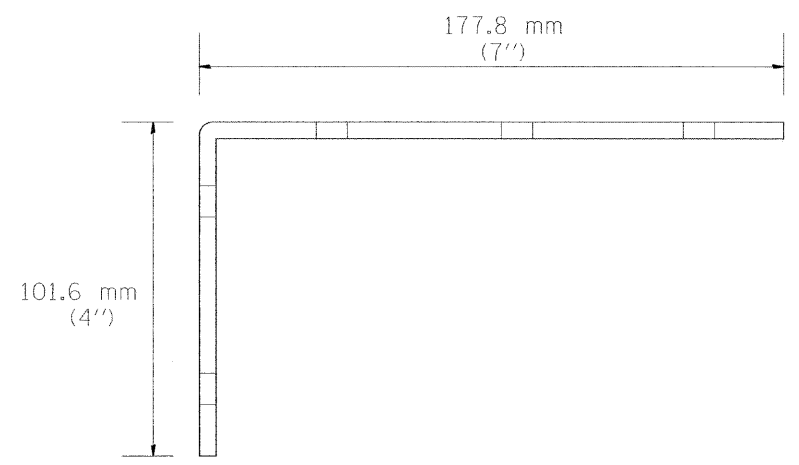


F.A. - RTE.	SECTION	COUNTY	TOTAL SHEETS	SHEET NO.
90/94	0202.6-2P, ETC. 1415 & 1517R-7	COOK	246	71
STA.		TO STA.		
FED. ROAD DIST. NO.		ILLINOIS FED. AID PROJECT		
CONTRACT NO. 62408				



REVISIONS	
NAME	DATE
R.L.	6/94
T.C.	9/96

ILLINOIS DEPARTMENT OF TRANSPORTATION
TRAFFIC SYSTEMS CENTER
FIELD CRADLE ASSEMBLY
SCALE: VERT. NONE
DATE: 6-21-94
DRAWN BY: G.M.
CHECKED BY: R.L.

RD-TYPMET.DGN
RF=

VI-4007