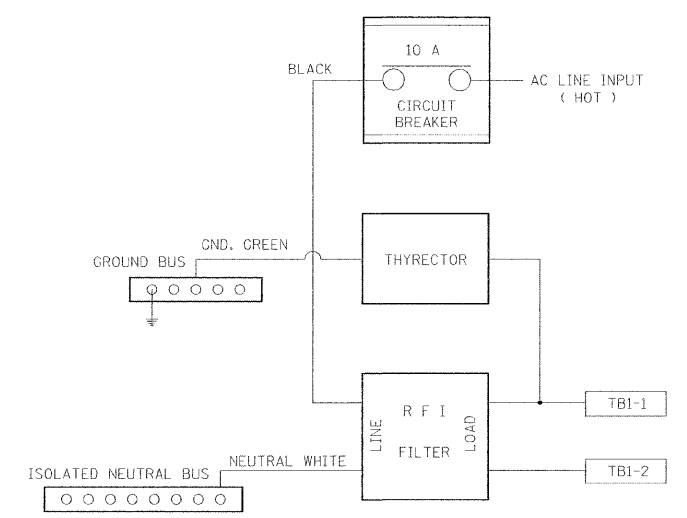
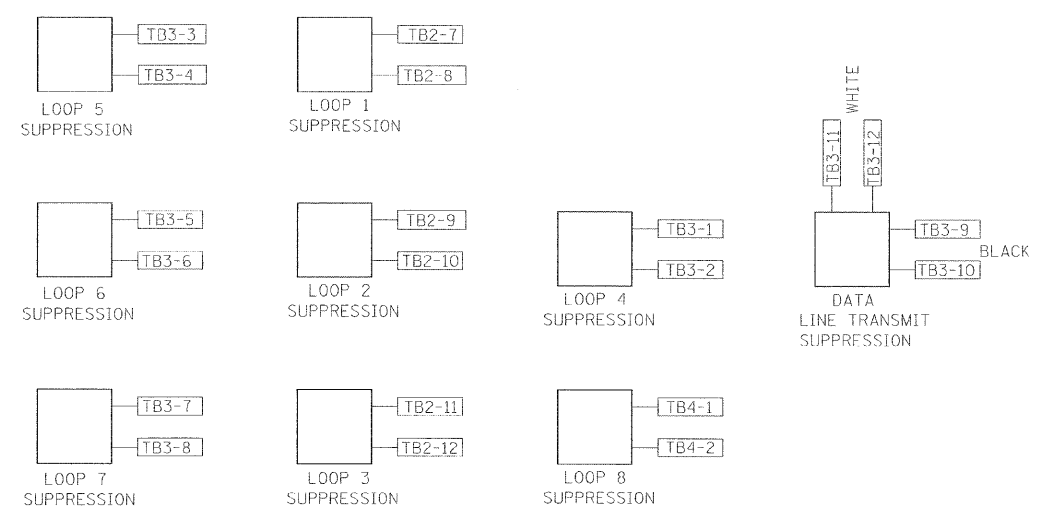
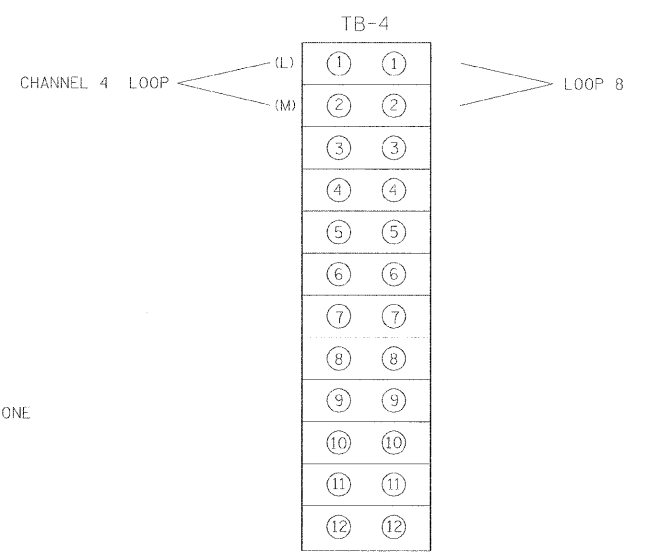
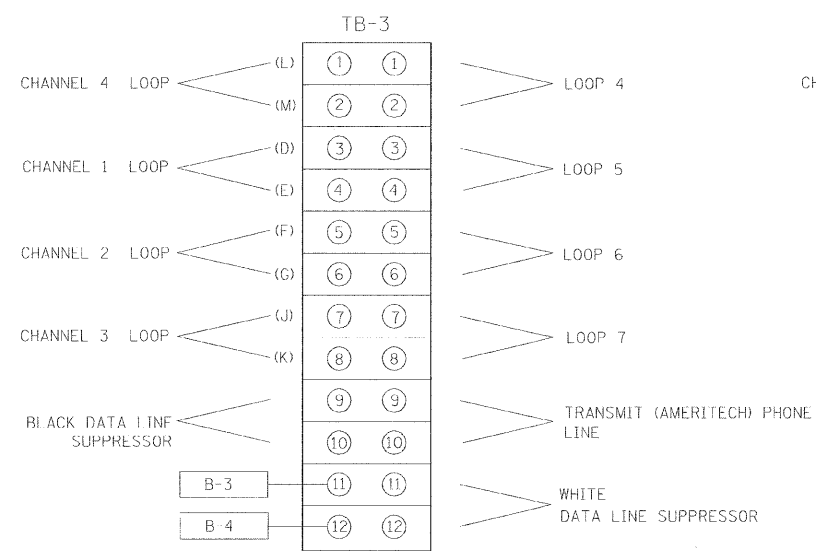
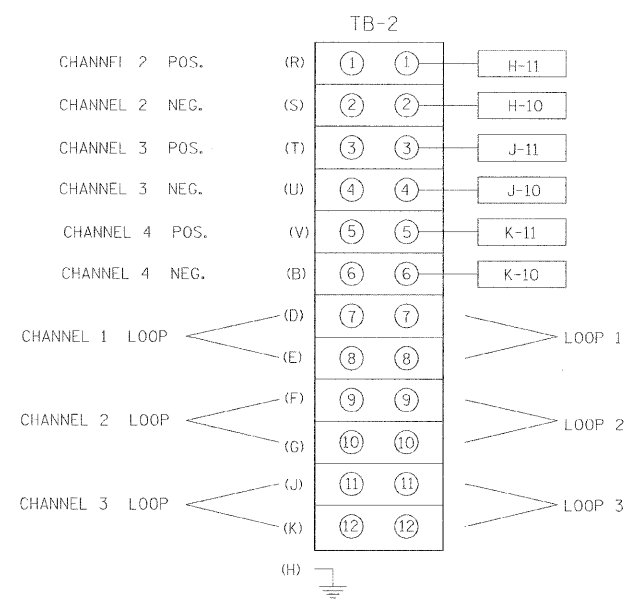
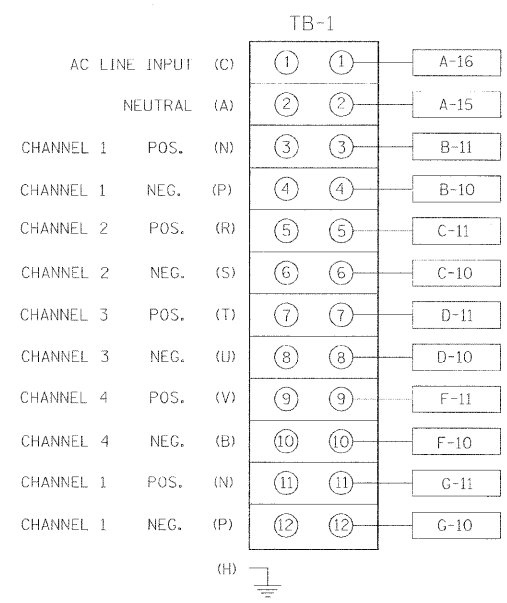
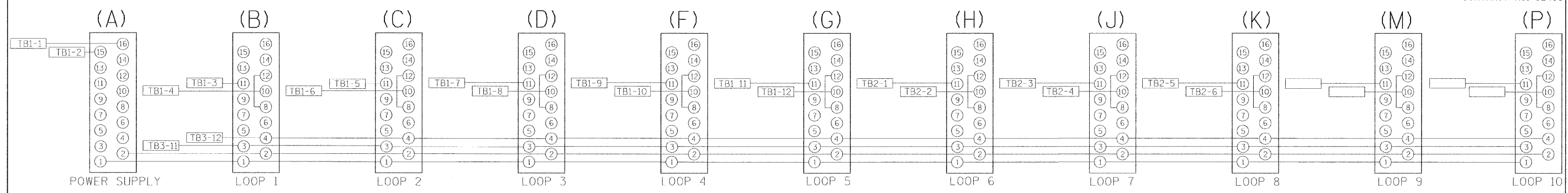


F.A. RTE.	SECTION	COUNTY	TOTAL SHEETS	SHEET NO.
90/94	0202.6-2P, ETC. 1415 & 1517R-7	COOK	246	T4
STA.	TO STA.			
FED. ROAD DIST. NO.	ILLINOIS	FED. AID PROJECT		
CONTRACT NO. 62408				

BACK VIEW OF TONE RACK



REVISIONS	
NAME	DATE
R.L.	2/98
R.L.	5/99

CABINET NO. _____

ILLINOIS DEPARTMENT OF TRANSPORTATION
TRAFFIC SYSTEMS CENTER

TYPE 3 CABINET WIRING DIAGRAM

SCALE: VERT. NONE
HORIZ. _____

DATE 10/17/95
DRAWN BY G.M.
CHECKED BY R.L.

RD=TYMET.DGN
RF=

VI-40012