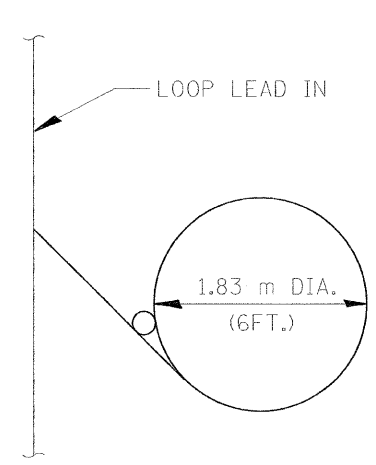
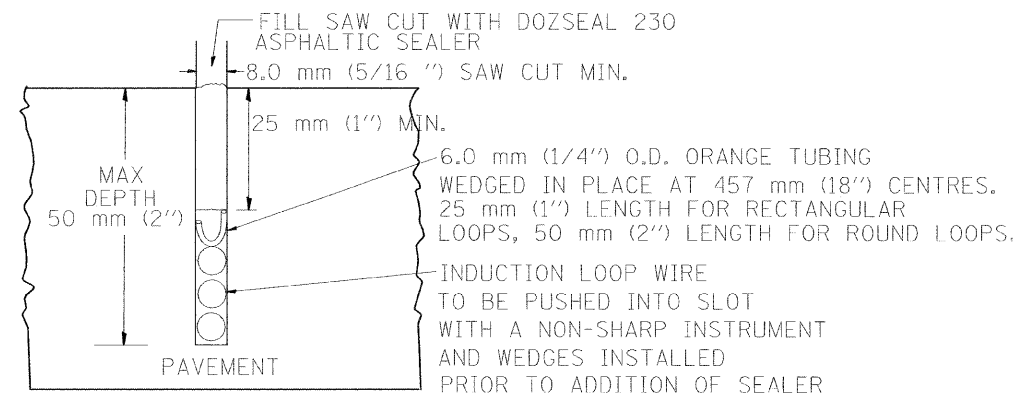
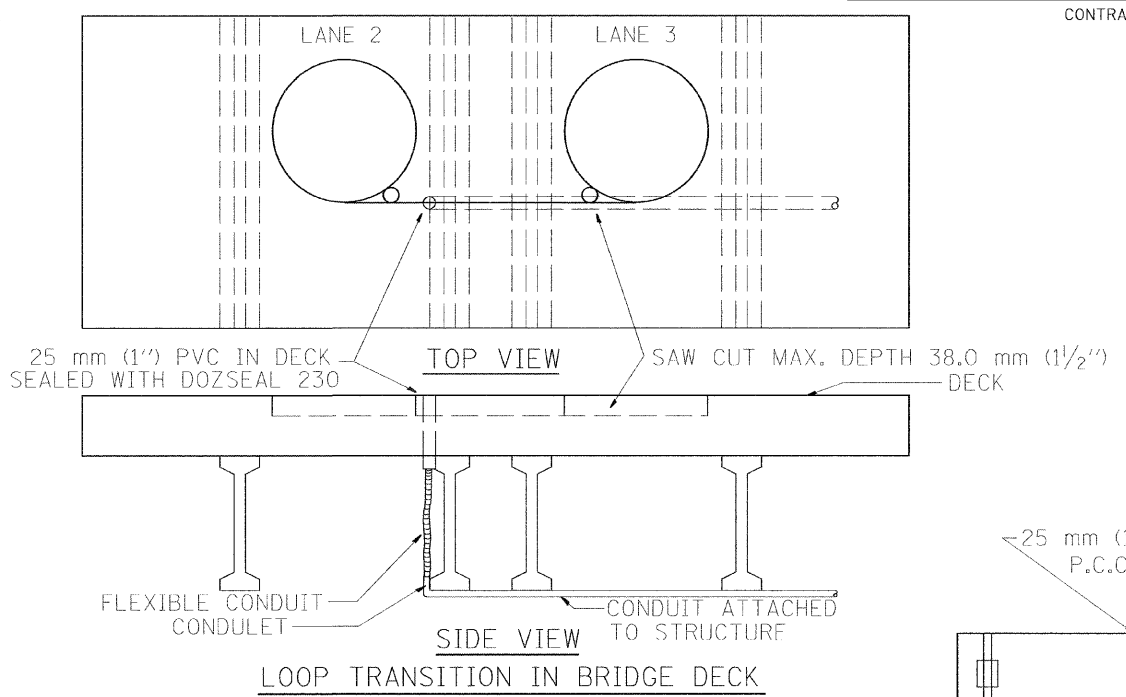
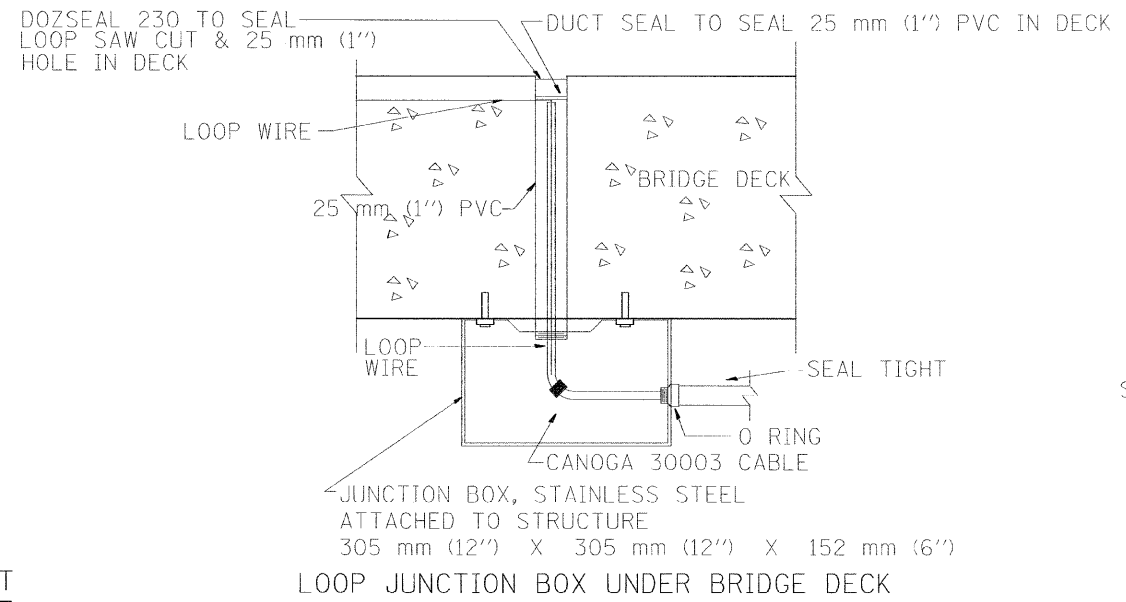


F.A. RTE.	SECTION	COUNTY	TOTAL SHEETS	SHEET NO.
90/94	0202.6-2P, ETC. 1415 & 1517R-7	COOK	246	80
STA.		TO STA.		
FED. ROAD DIST. NO.		ILLINOIS FED. AID PROJECT		

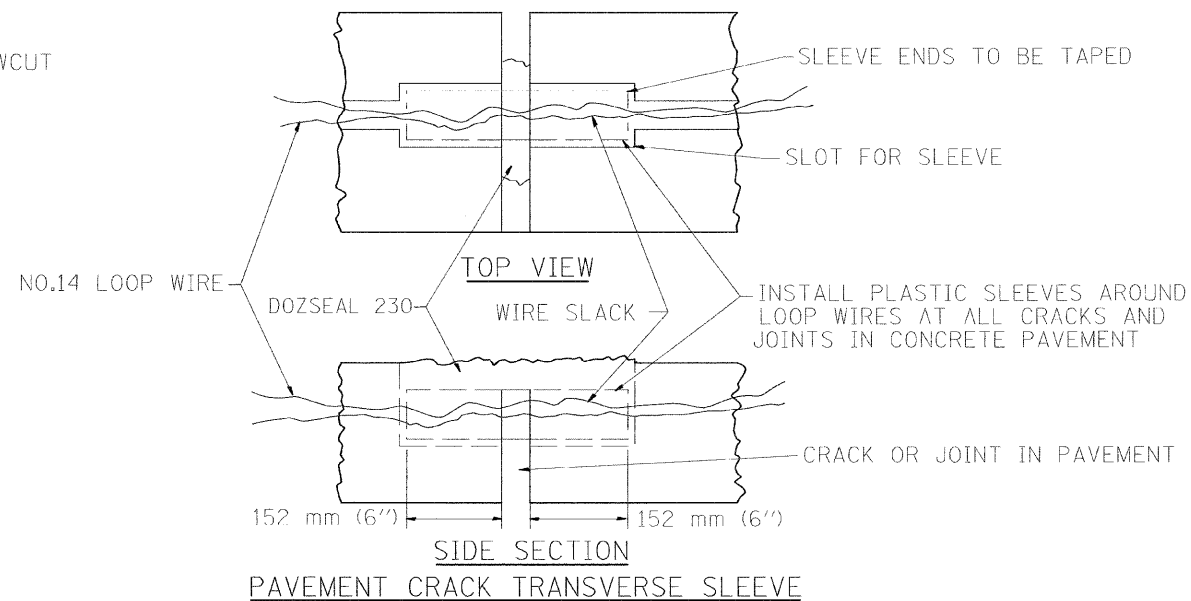
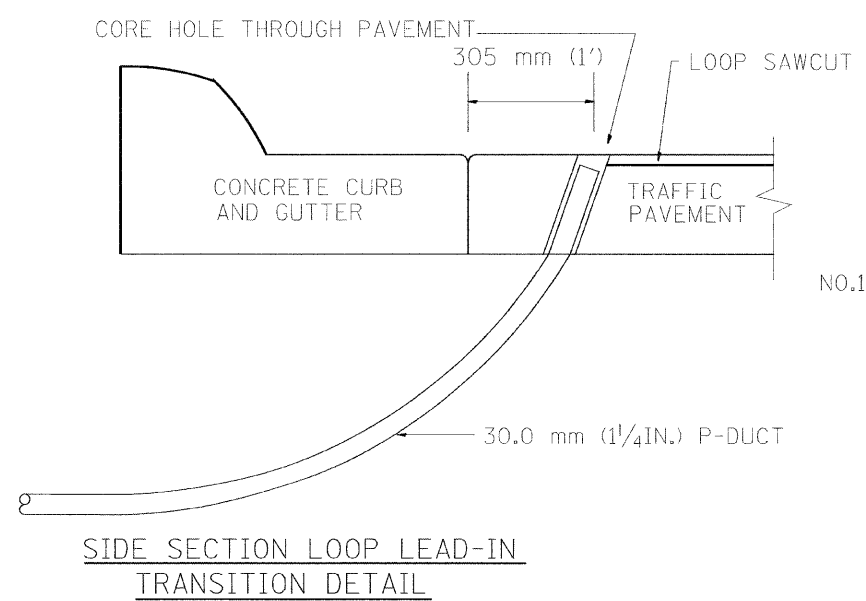
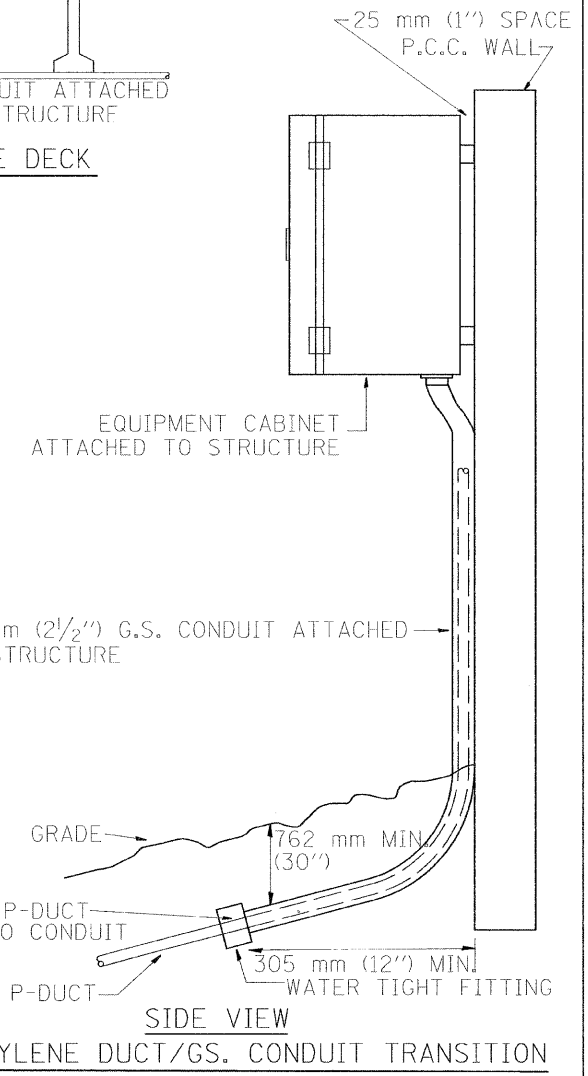
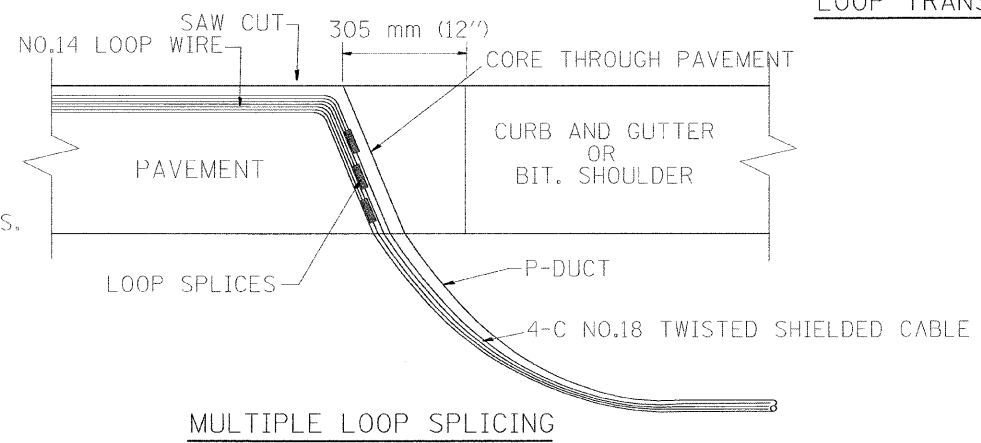
CONTRACT NO. 62408



TYPICAL LOOP SAWCUT LAYOUT



LOOP CROSS SECTION IN PAVEMENT



REVISIONS	
NAME	DATE
R.L.	6/94
R.L.	3/95
T.C.	11/95
R.L.	05/96
T.C.	10/96

ILLINOIS DEPARTMENT OF TRANSPORTATION
TRAFFIC SYSTEMS CENTER

**LOOP, CONDUIT & DUCT
INSTALLATION DETAILS**

SCALE: VERT. NONE
HORIZ. DATE 6-22-94

DRAWN BY G.M.
CHECKED BY R.L.

RD-TYPMET.DGN
RF=

V1=4184