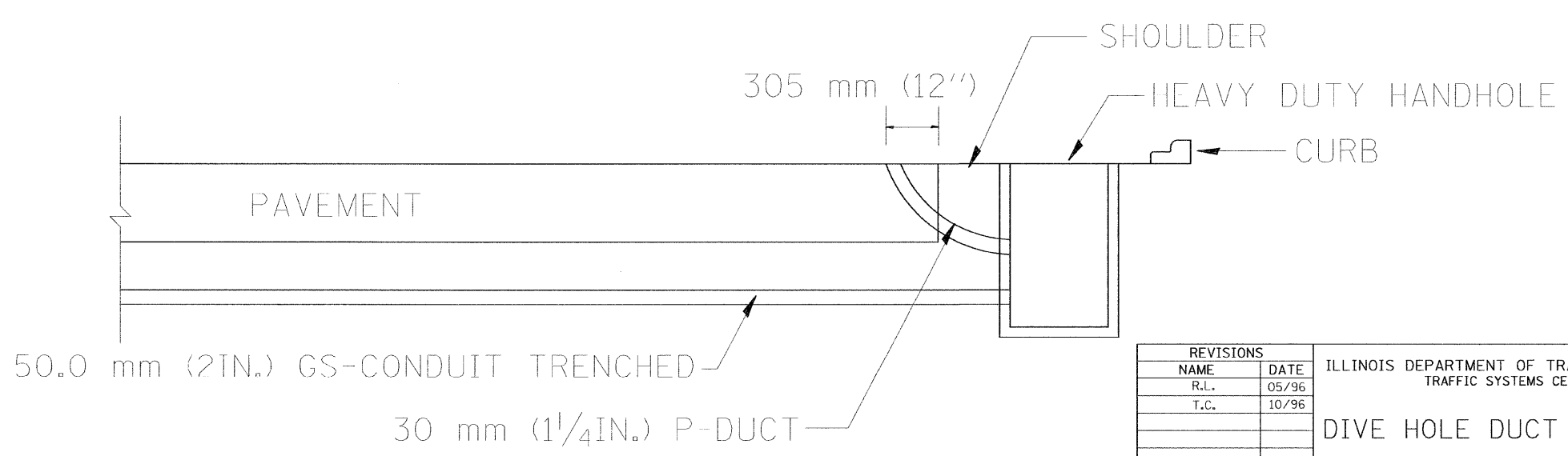
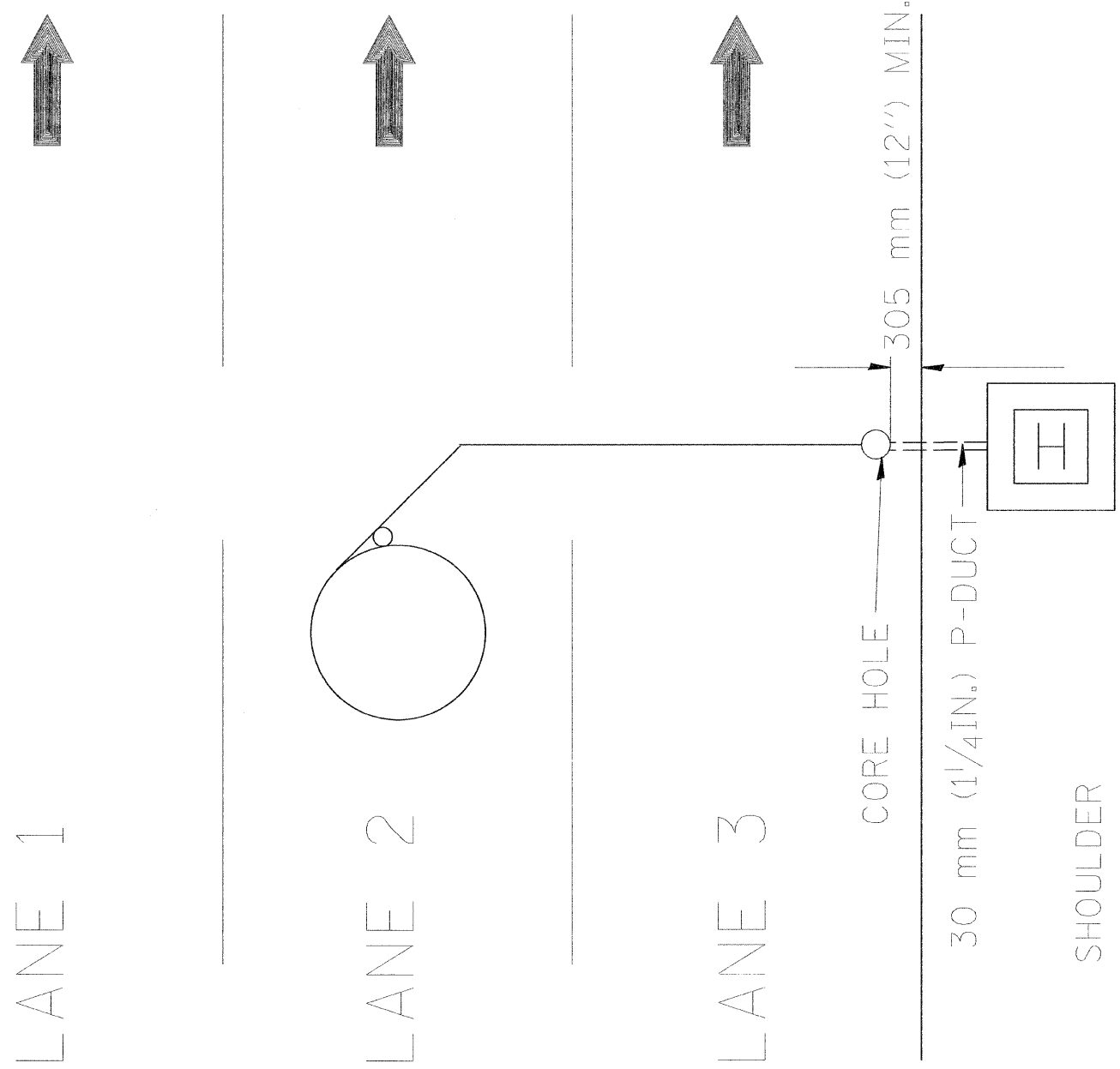


F.A. RTE.	SECTION	COUNTY	TOTAL SHEETS	SHEET NO.
90/94	0202.6-2P, ETC. 1415 & 1517R-7	COOK	246	83
STA.		TO STA.		
FED. ROAD DIST. NO.		ILLINOIS	FED. AID PROJECT	
CONTRACT NO. 62408				



REVISIONS	
NAME	DATE
R.L.	05/96
T.C.	10/96

ILLINOIS DEPARTMENT OF TRANSPORTATION
TRAFFIC SYSTEMS CENTER

DIVE HOLE DUCT SYSTEM

SCALE: VERT. NONE
HORIZ. 11/7/95

DRAWN BY G.M.
CHECKED BY R.L.

RD-TYPMET.DGN
RF=

VI-4188