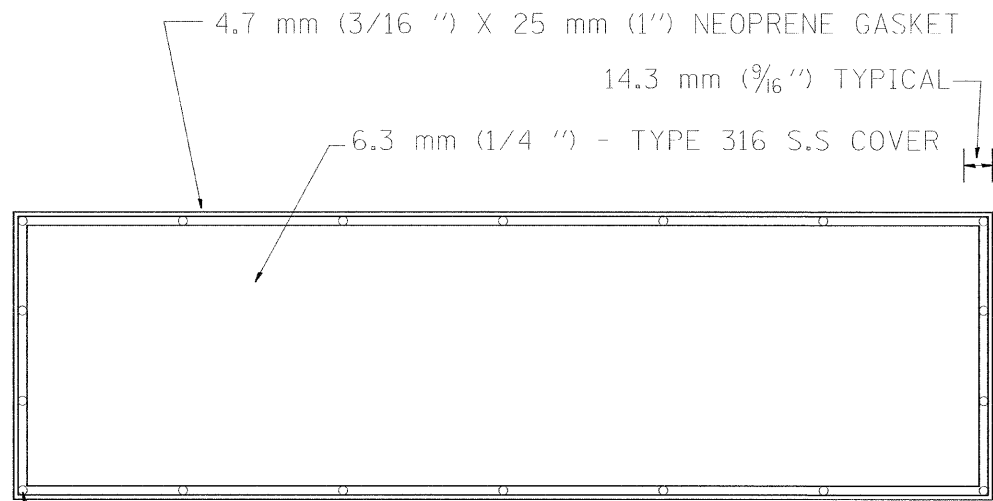


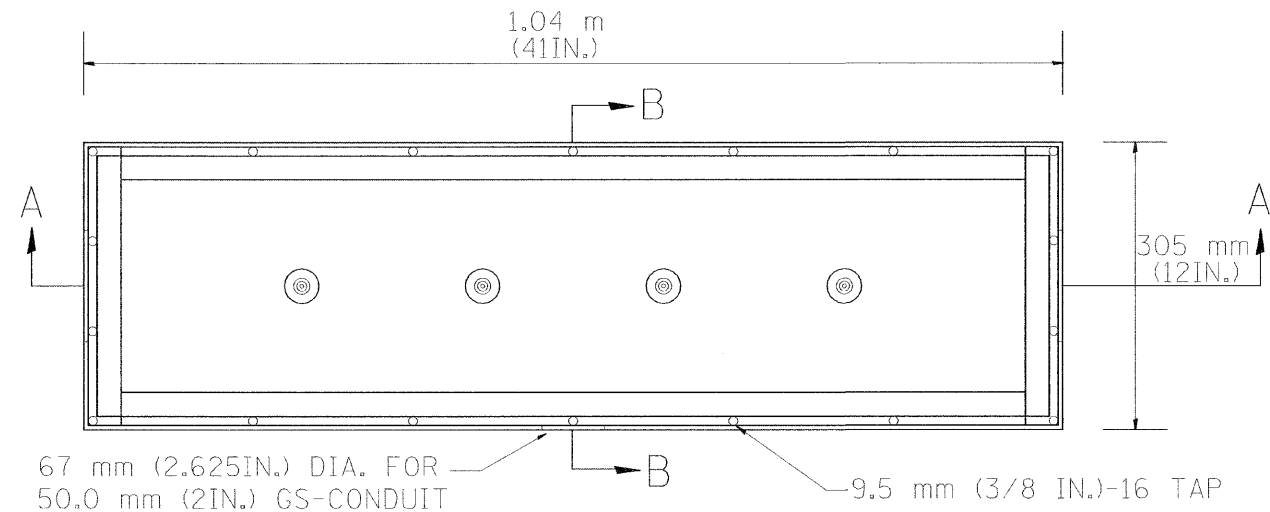
F.A. RTE.	SECTION	COUNTY	TOTAL SHEETS	SHEET NO.
90/94	0202.6-2P, ETC. 1415 & 1517R-7	COOK	246	85
STA.	TO STA.			
FED. ROAD DIST. NO.	ILLINOIS	FED. AID PROJECT		
CONTRACT NO. 62408				



DRILL AND COUNTERSINK TOP OF COVER FOR
9.5 mm (3/8 inch) 16 X 19 mm (3/4 inch)
FLAT HEAD STAINLESS STEEL SLOTTED SCREWS

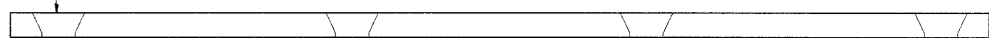
BACK VIEW

STAINLESS STEEL COVER WITH NEOPRENE GASKET

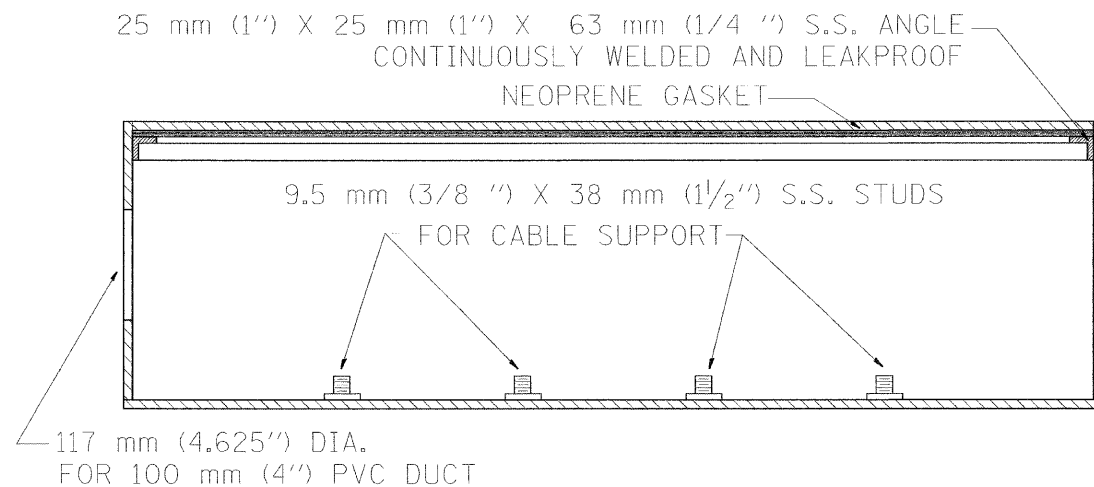


TOP VIEW

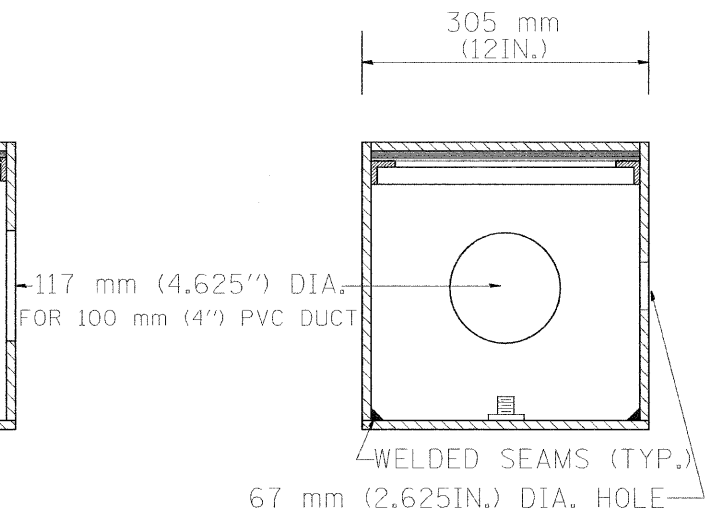
STAINLESS STEEL JUNCTION BOX TYPE "J"



SIDE VIEW
STAINLESS STEEL COVER



SIDE VIEW SECTION A-A



SIDE VIEW SECTION B-B

NOTE:

JUNCTION BOX TO BE CONSTRUCTED OF
6.3 mm (1/4 IN.) TYPE 316 STAINLESS STEEL
ALL WELDS SHALL BE CONTINUOUS AND LEAKPROOF
ALL COVERS SHALL BE UNIVERSAL IN FIT.

BARRIER WALL SHALL BE GAPPED A MINIMUM OF 4.57 m (15ft.) FOR PROPER PLACEMENT OF JUNCTION BOX TYPE "J" AND FOR A SMOOTH TRANSITION OF 100 mm (4IN.) PVC SURVEILLANCE DUCT(S) FROM BARRIER WALL FOOTER INTO JUNCTION BOX.

REVISIONS	
NAME	DATE
R.L.	6/94
T.C.	10/96

ILLINOIS DEPARTMENT OF TRANSPORTATION
TRAFFIC SYSTEMS CENTER
CONCRETE
BARRIER WALL JUNCTION BOX
TYPE "J"

SCALE: VERT. NONE
HORIZ. NONE
DATE: 6-22-94
DRAWN BY: G.M.
CHECKED BY: R.L.