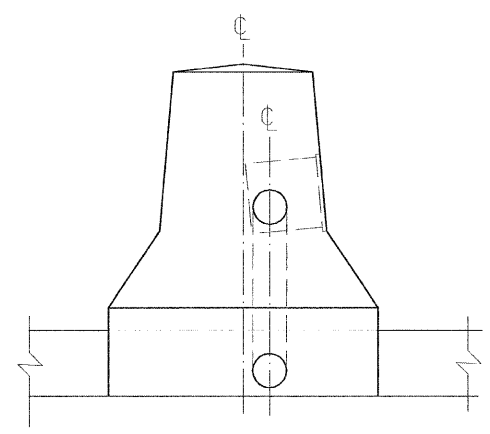
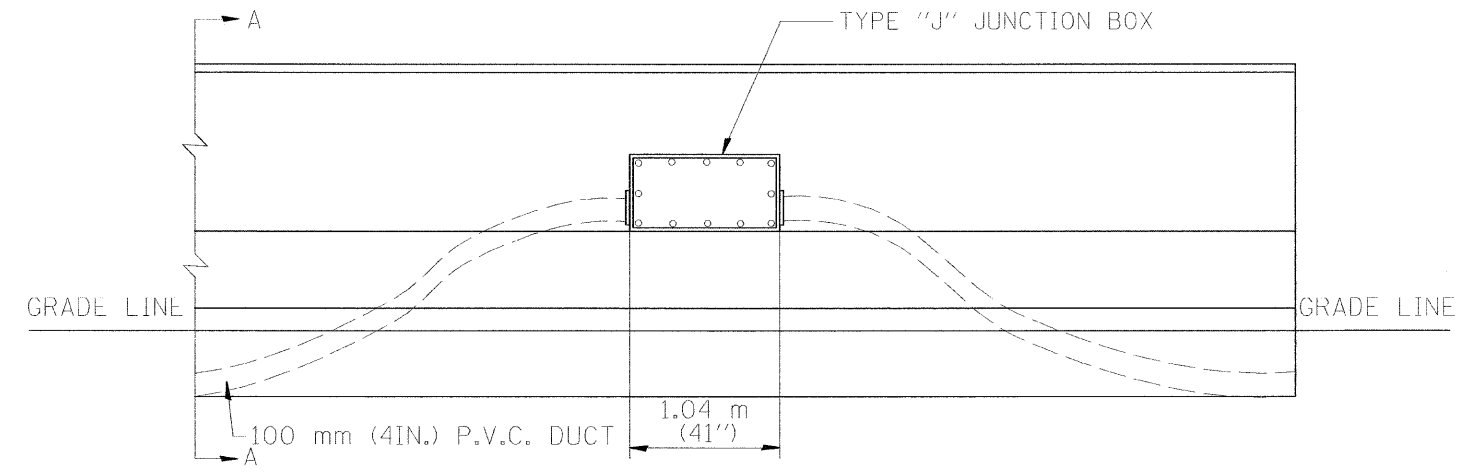


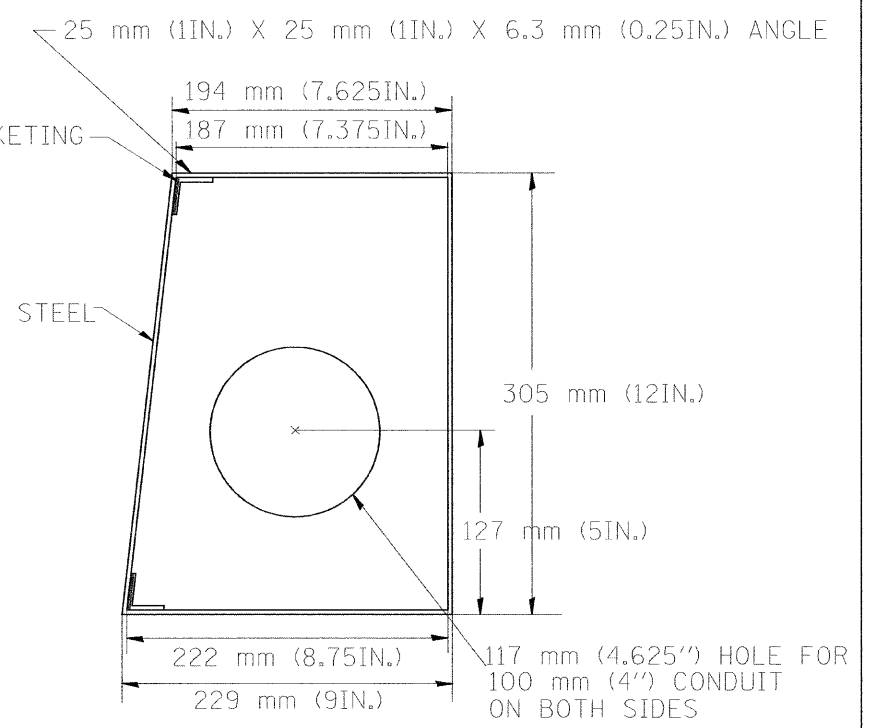
F.A. RTE.	SECTION	COUNTY	TOTAL SHEETS	SHEET NO.
90/94	0202.6-2P, ETC, 1415 & 1517R-7	COOK	246	87
STA.		TO STA.		
FED. ROAD DIST. NO.		ILLINOIS FED. AID PROJECT		
CONTRACT NO. 62408				



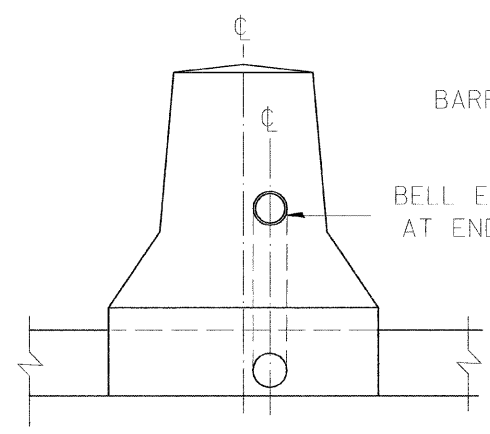
SECTION A-A



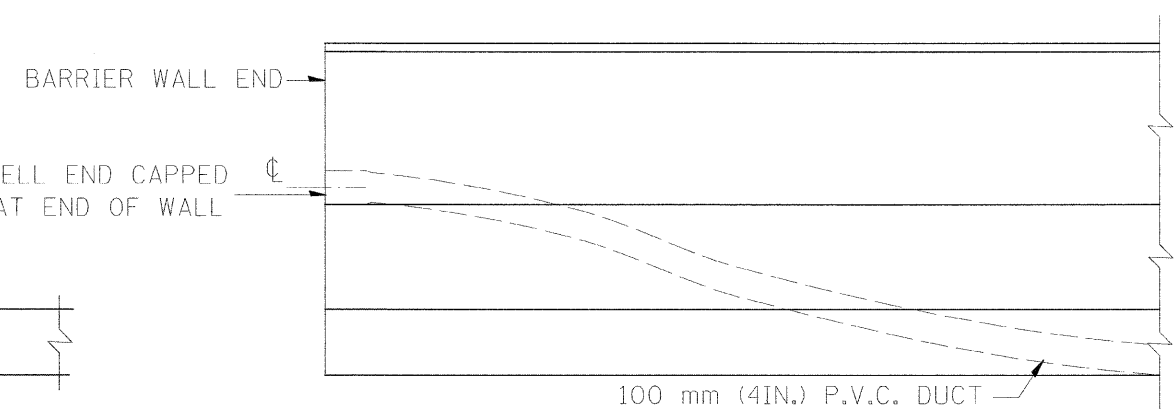
ELEVATION
BARRIER WALL DUCT DETAIL
457.2 m (1500FT.) INTERVAL



SIDE VIEW
SPECIAL JUNCTION BOX TYPE "J" TO BE
INSTALLED IN BARRIER WALL TYPE "2" ONLY



END VIEW



ELEVATION
END OF BARRIER WALL DUCT DETAIL

ALL WELDS SHALL BE CONTINUOUS AND LEAK PROOF
BOX AND COVER SHALL BE 6.4 mm (0.25IN.) TYPE 316 STAINLESS STEEL

BARRIER WALL SHALL BE GAPPED A MINIMUM OF 4.57 m (15ft+) FOR PROPER PLACEMENT OF JUNCTION BOX TYPE "J"
AND FOR A SMOOTH TRANSITION OF 100 mm (4IN.) PVC SURVEILLANCE DUCT(S) FROM BARRIER WALL FOOTER INTO JUNCTION BOX.

REVISIONS	
NAME	DATE
R.L.	6/94
T.C.	10/96
R.L.	2/98

ILLINOIS DEPARTMENT OF TRANSPORTATION
TRAFFIC SYSTEMS CENTER
TRAFFIC SURVEILLANCE
BARRIER WALL
DUCT DETAILS
SCALE: VERT. NONE
DATE 6-22-94
DRAWN BY G.M.
CHECKED BY R.L.

RD-TYPMET.DGN
RF=

VI-6634