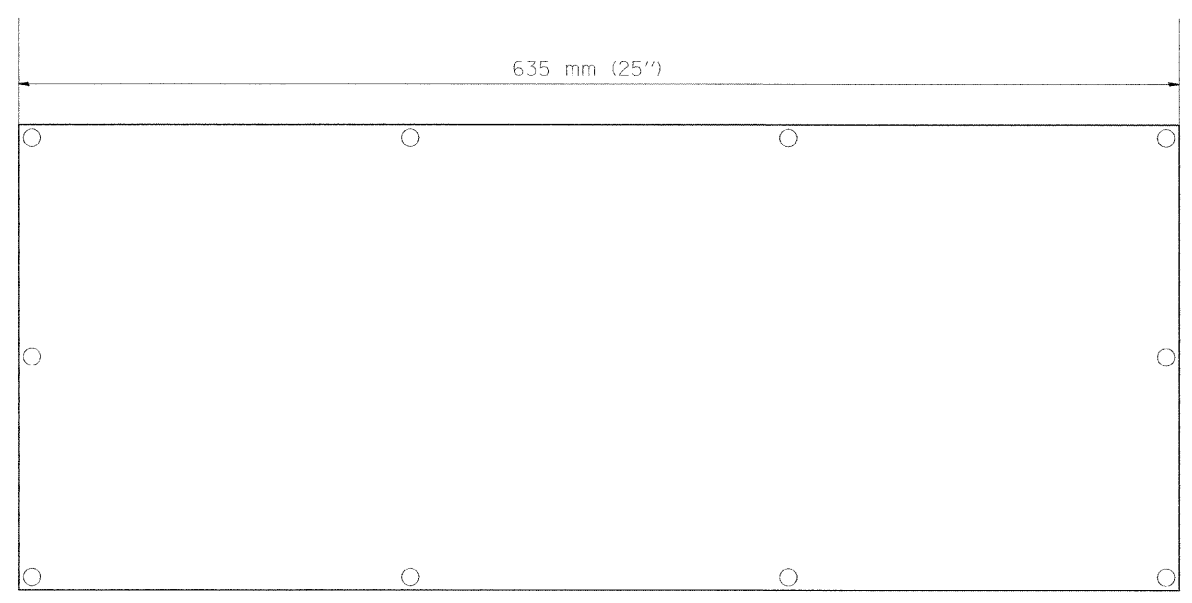
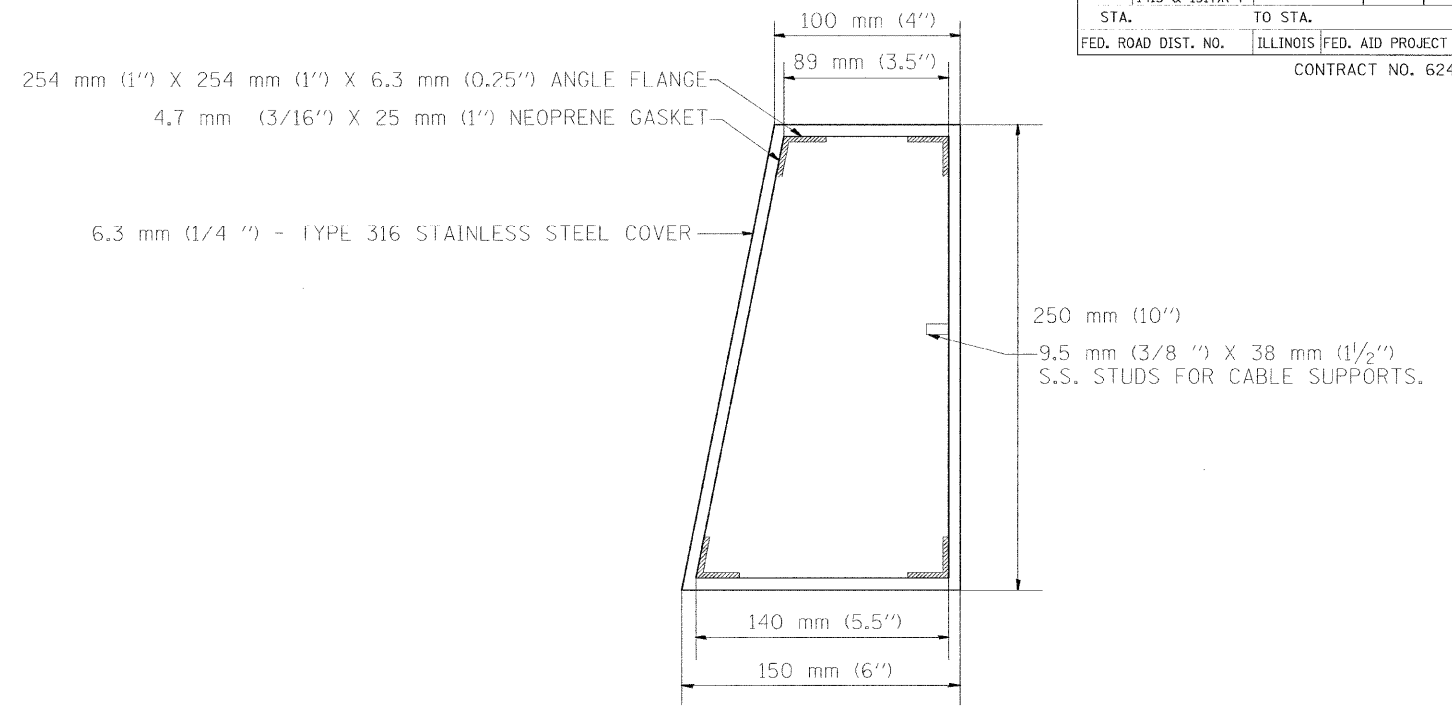


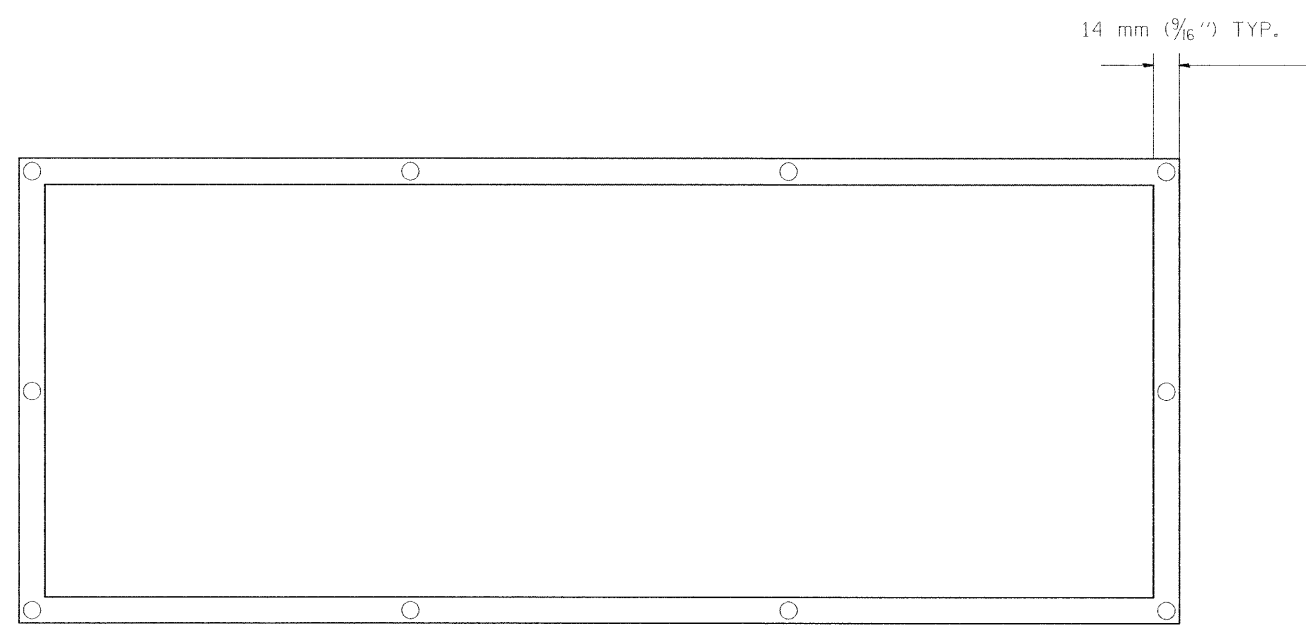
F.A. RTE.	SECTION	COUNTY	TOTAL SHEETS	SHEET NO.
90/94	0202.6-2P, ETC. 1415 & 1517R-7	COOK	246	88
STA.		TO STA.		
FED. ROAD DIST. NO.		ILLINOIS FED. AID PROJECT		
CONTRACT NO. 62408				



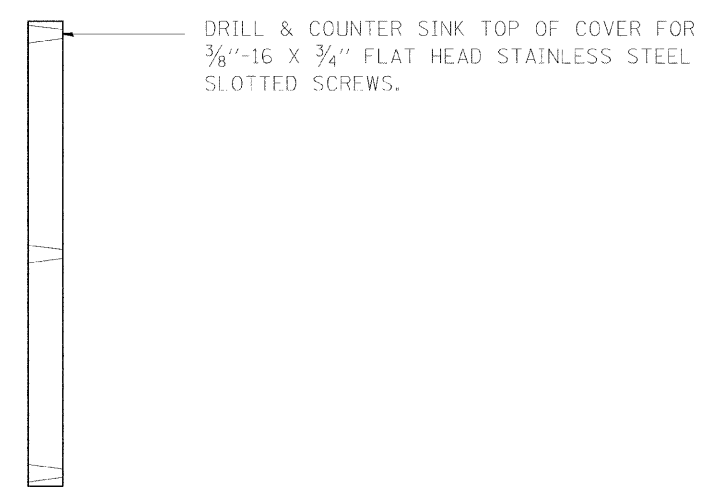
FRONT VIEW



SIDE VIEW



BACK VIEW OF COVER WITH NEOPRENE GASKET



SIDE VIEW OF COVER

NOTES:

JUNCTION BOXES TO BE CONSTRUCTED OF 6.3 mm (1/4 IN.) TYPE 316 STAINLESS STEEL.
 ALL WELDS SHALL BE CONTINUOUS AND LEAK PROOF.
 ALL COVERS SHALL BE UNIVERSAL IN FIT.
 TAP ANGLE FLANGE FOR 3/8 IN.-16 X 3/4 IN. SCREW.

REVISIONS	
NAME	DATE
G.M.	2/98

ILLINOIS DEPARTMENT OF TRANSPORTATION
 TRAFFIC SYSTEMS CENTER

JUNCTION BOX

SCALE: VERT. NONE
 HORIZ. DATE
 DRAWN BY G.M.
 CHECKED BY R.L.

RD=TYPMET.DGN
 RF=

VI-66312