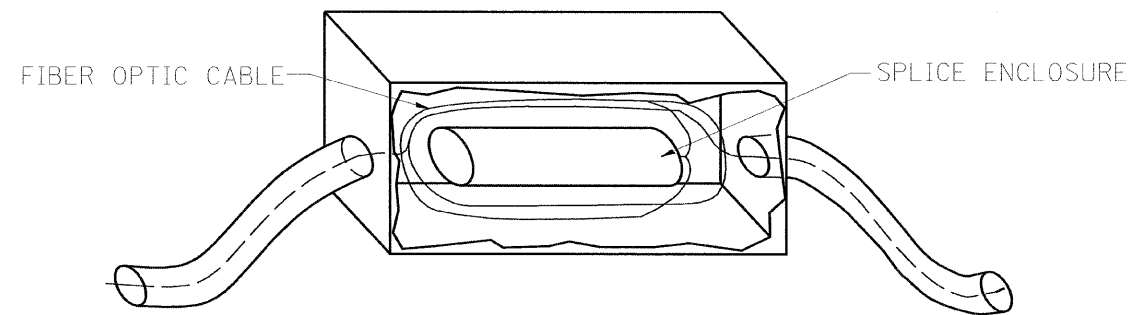
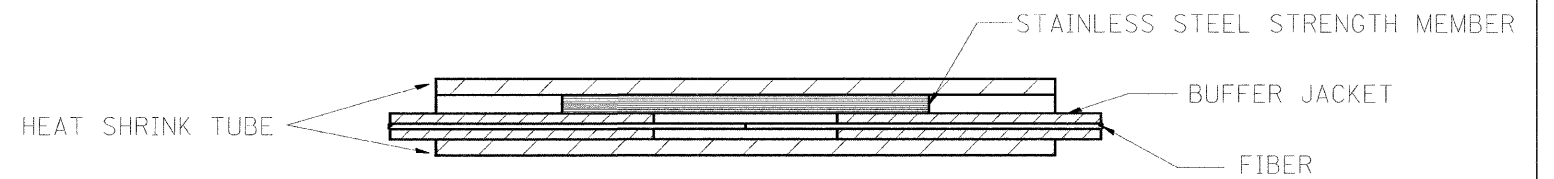


F.A. RTE.	SECTION	COUNTY	TOTAL SHEETS	SHEET NO.
90/94	0202.6-2P, ETC. 1415 & 1517R-7	COOK	246	89
STA.		TO STA.		
FED. ROAD DIST. NO.		ILLINOIS FED. AID PROJECT		
CONTRACT NO. 62408				



JUNCTION BOX DETAIL



FIBER SPLICE DETAIL

RD=TYPMET.DGN
RF=

VI-66313

REVISIONS		ILLINOIS DEPARTMENT OF TRANSPORTATION TRAFFIC SYSTEMS CENTER
NAME	DATE	
		FIBER OPTIC WIRING DETAIL
SCALE: VERT. NONE HORIZ. NONE		DRAWN BY G.M. CHECKED BY D.S.
DATE 4-26-93		