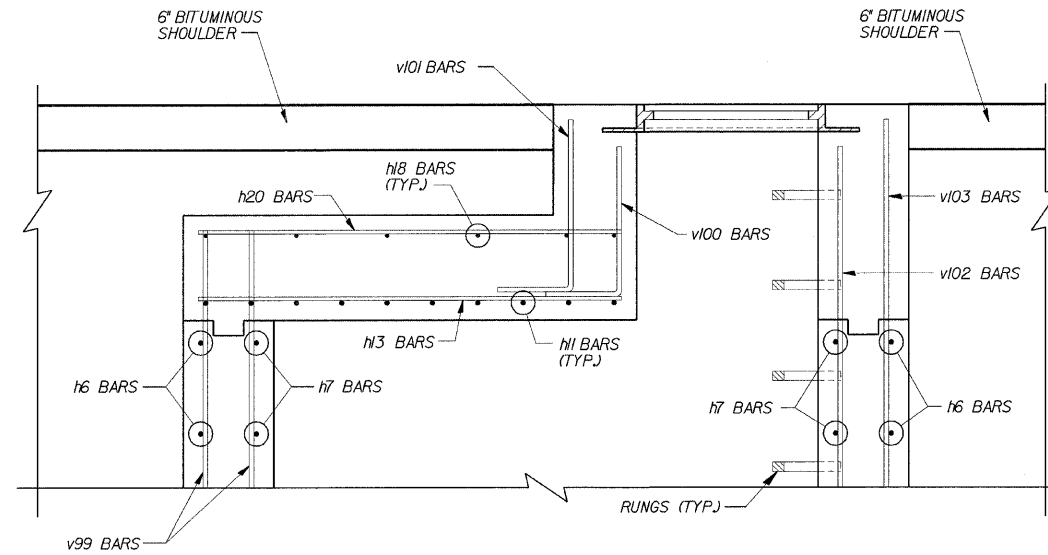
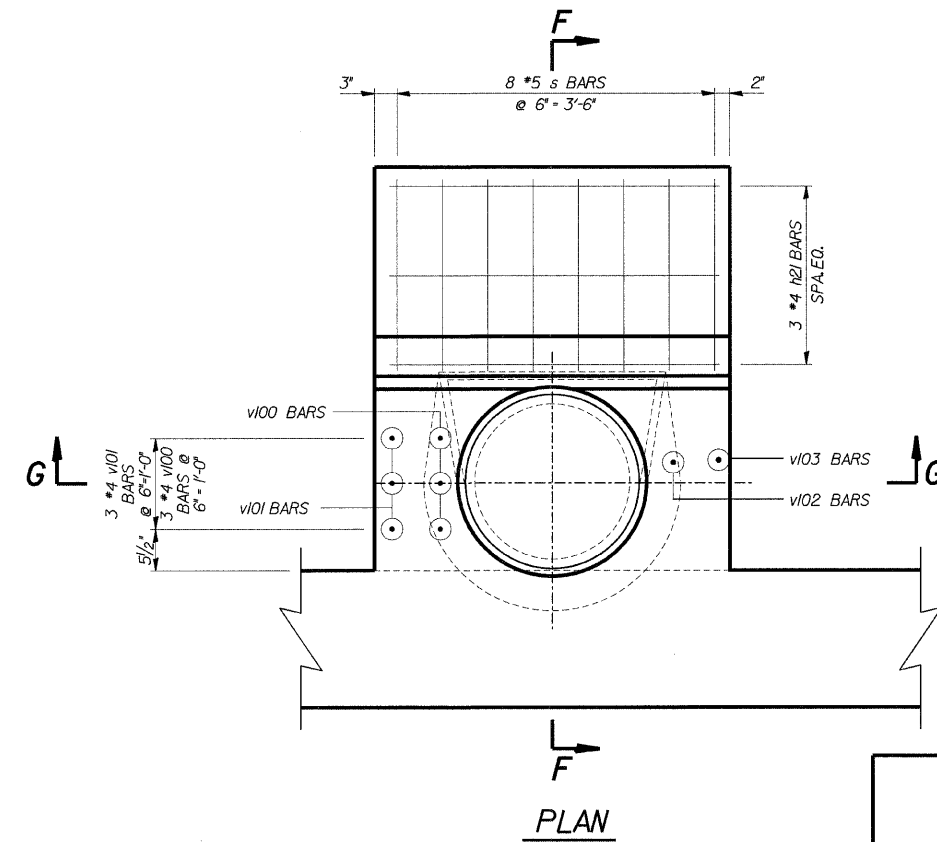


SECTION F-F



SECTION G-G



PLAN

DLZ 85 W. Algonquin Rd. Ste. 220
Arlington Heights IL 60005
DLZ Illinois, Inc.

**RETAINING WALL RAMP F
GAS LINE VAULT**
I-90/94 KENNEDY EXPRESSWAY
(HUBBARDS CAVE TO I-290)
SECT. (202.6 - 2P, ETC, 1415 & 1517) R-7
STATION 13+45 LT 22' TO 10+59 LT 22'
COOK COUNTY
STRUCTURE NUMBER 016-W807

DESIGNED	DPW
CHECKED	ASP
DRAWN	EvH
CHECKED	DPW

REVISIONS	
NAME	DATE